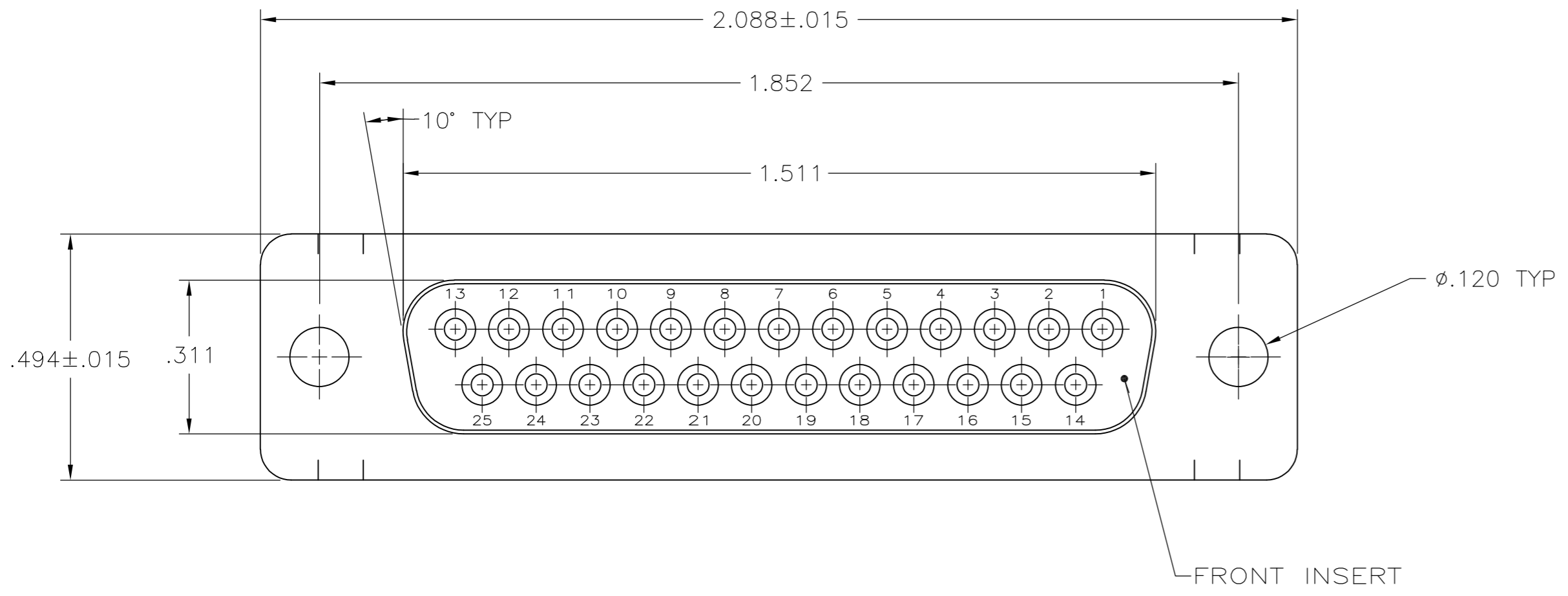
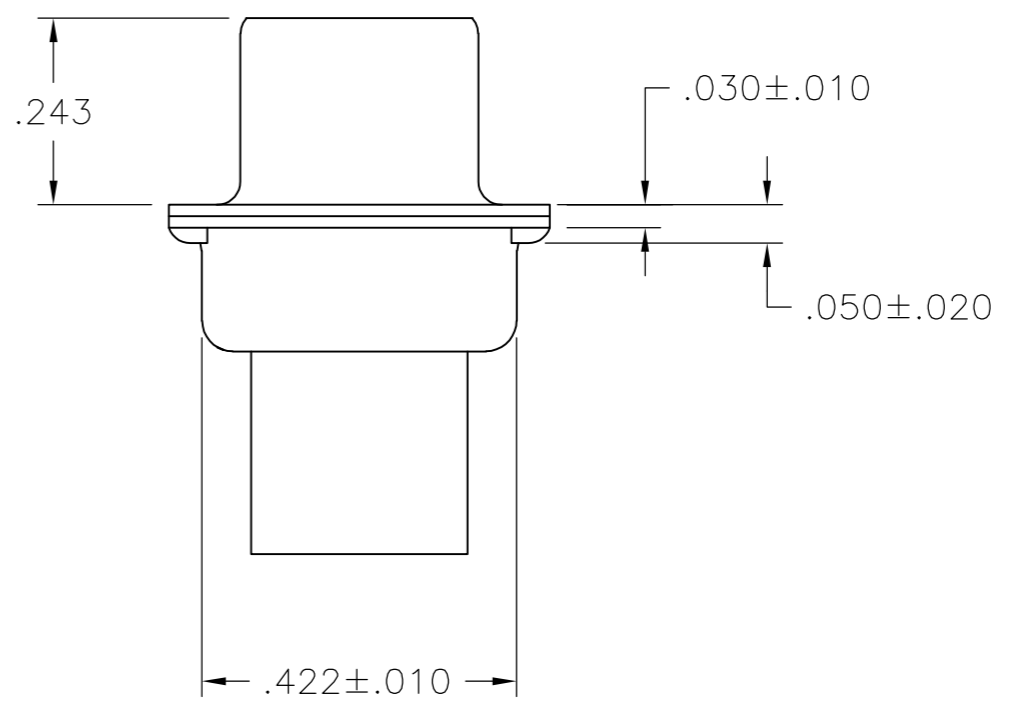
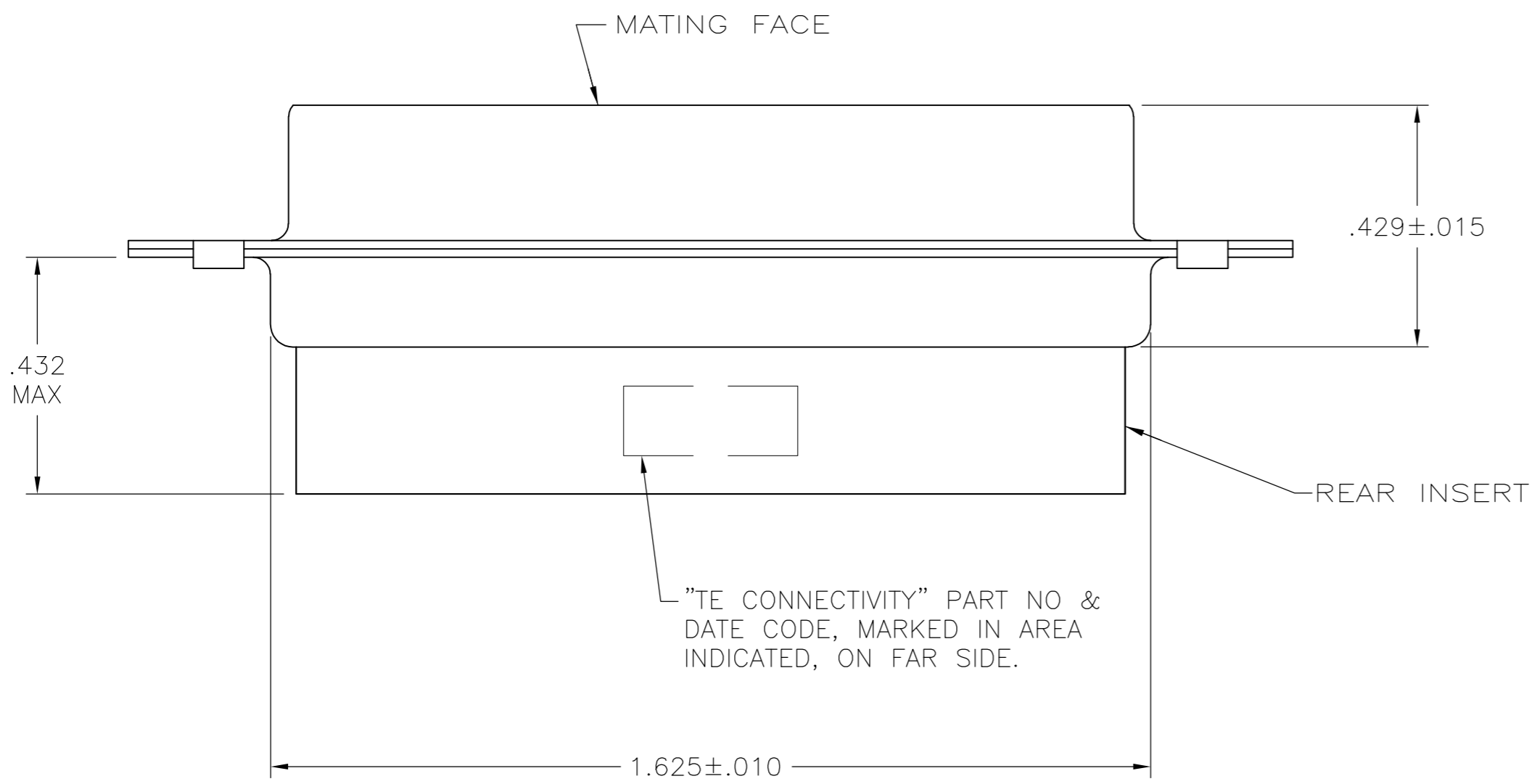


THIS DRAWING IS UNPUBLISHED. RELEASED FOR PUBLICATION
 © COPYRIGHT - By - ALL RIGHTS RESERVED.

LOC		DIST		REVISIONS			
P	LTR	DESCRIPTION		DATE	DWN	APVD	
GP	00	P		REVISED PER ECO-11-005033	23MAR11	RK	HMR



- CONNECTOR ACCEPTS SIZE 20 DF SOCKET CONTACTS, RETENTION TINES ARE AN INTEGRAL PART OF INSERT.
- CONNECTOR COMPLIES WITH AMP SPEC. 108-40005 WHERE APPLICABLE.
- 3** MATERIAL:
 INSERTS: FLAME RETARDANT 94V-0 RATED GLASS FILLED NYLON, COLOR: BLACK.
 SHELLS: STEEL.
- 4** FINISH:
 SHELLS: ZINC PLATED .000200-.000400 THICK, YELLOW CHROMATE COATING.
- 5** OBSOLETE PARTS: OBSOLETE CIS STREAMLINING PER D.RENAUD/D.SINISI



5 OBSOLETE	SMALL PACK	5205207-4
	STANDARD	5205207-1
	PACKAGING TYPE	PART NUMBER

THIS DRAWING IS A CONTROLLED DOCUMENT.		DWN	B. MCMASTER	08SEP05		TE Connectivity			
DIMENSIONS: INCHES		CHK	C. ROHDE	08SEP05		NAME			
TOLERANCES UNLESS OTHERWISE SPECIFIED:		APVD	M. WALMSLEY	08SEP05		RECEPTACLE CONNECTOR, SIZE 3, 25 POS., AMPLIMITE HDP			
0 PLC ± - 1 PLC ± - 2 PLC ± - 3 PLC ± .005 4 PLC ± - ANGLES ± 2°		PRODUCT SPEC	-			SIZE	CAGE CODE	DRAWING NO	RESTRICTED TO
MATERIAL		FINISH	WEIGHT		A2 00779		C=5205207		-
3		4	CUSTOMER DRAWING		SCALE	NTS	SHEET	1 of 1	REV
									P

5205207