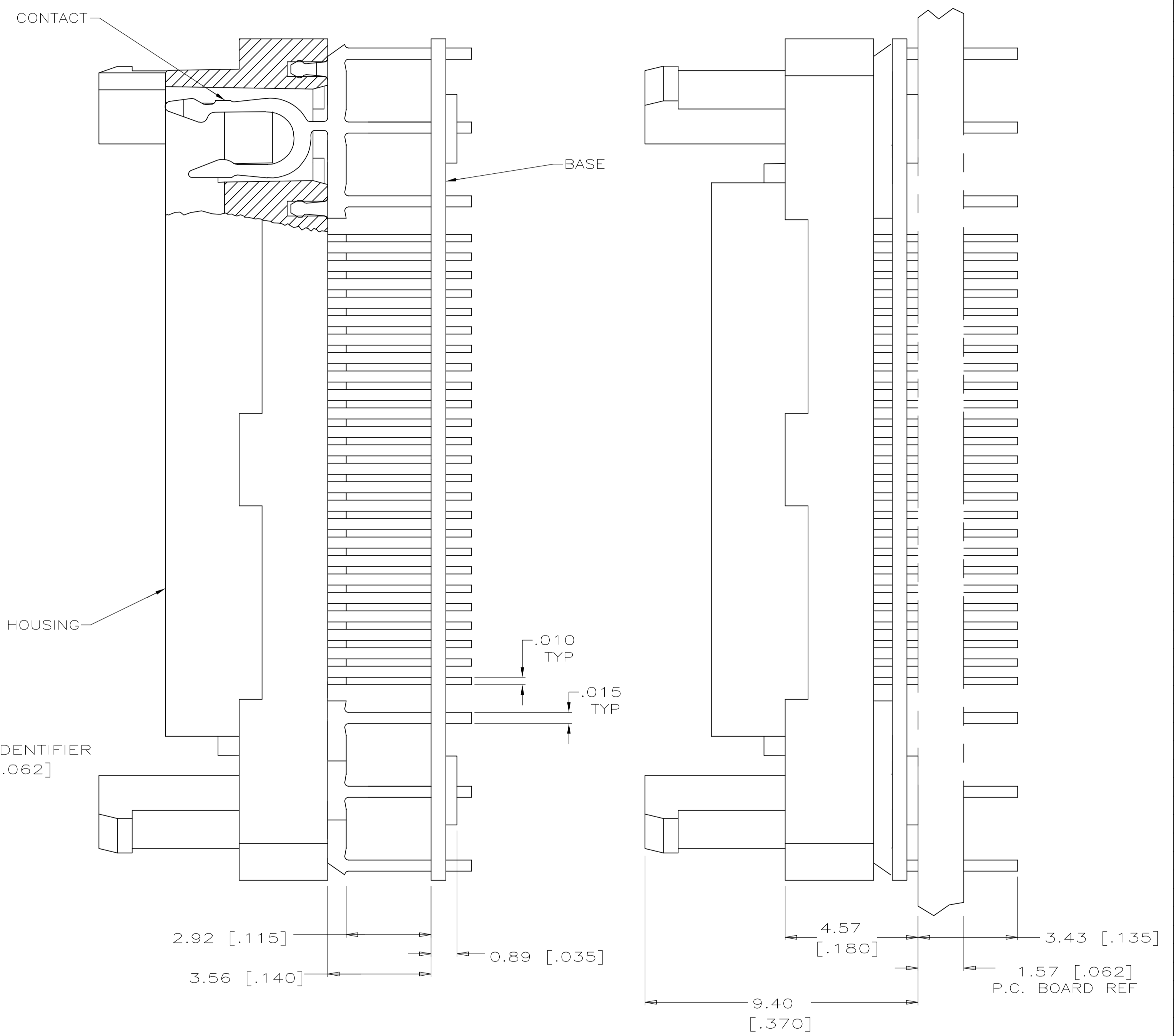


SUB-ASSEMBLY SHOWN AS SHIPPED      SUB-ASSEMBLY SHOWN IN FINAL POSITION



- △ HOUSING MATERIAL SHALL BE LIQUID CRYSTAL POLYMER. (BLACK)
- △ CONTACT MATERIAL SHALL BE PHOS. BRONZE. PLATING SHALL BE 0.00508 [.000200] MIN. TIN LEAD OVER 0.00127 [.000050] MIN. NICKEL ALL OVER.
- △ BASE MATERIAL SHALL BE LIQUID CRYSTAL POLYMER. (BLACK)
- △ SOCKET TO BE MOUNTED WITH AMP LOGO AND CHAMFER ON SOCKET LOCATED IN THIS CORNER OF P.C. BOARD.
- △ THIS AREA TO BE FREE OF COMPONENTS FOR ACCESS OF THE MICRO-PITCH HAND TOOL. MINIMUM OF TWO OPPOSITE SIDES.
- △ CONTACT MATERIAL SHALL BE PHOS. BRONZE. PLATING SHALL BE 0.00508 [.000200] MIN. TIN (LEAD FREE) OVER 0.00127 [.000050] MIN. NICKEL ALL OVER.
- △ ROHS 2002/95/EC COMPLIANT

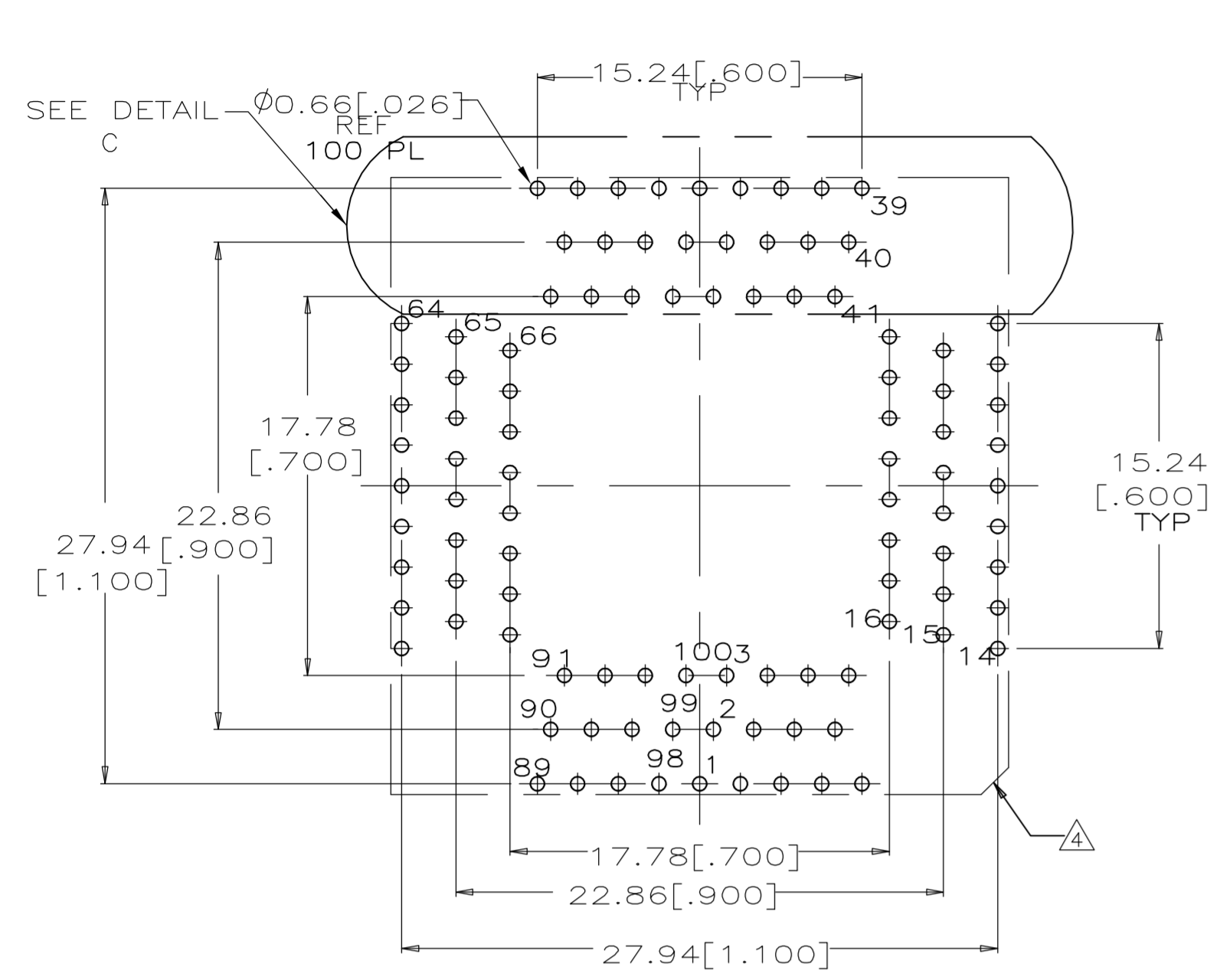
PIN #1 IDENTIFIER  
 RAISED ARROW

PIN 1 IDENTIFIER  
 Ø1.57 [.062]

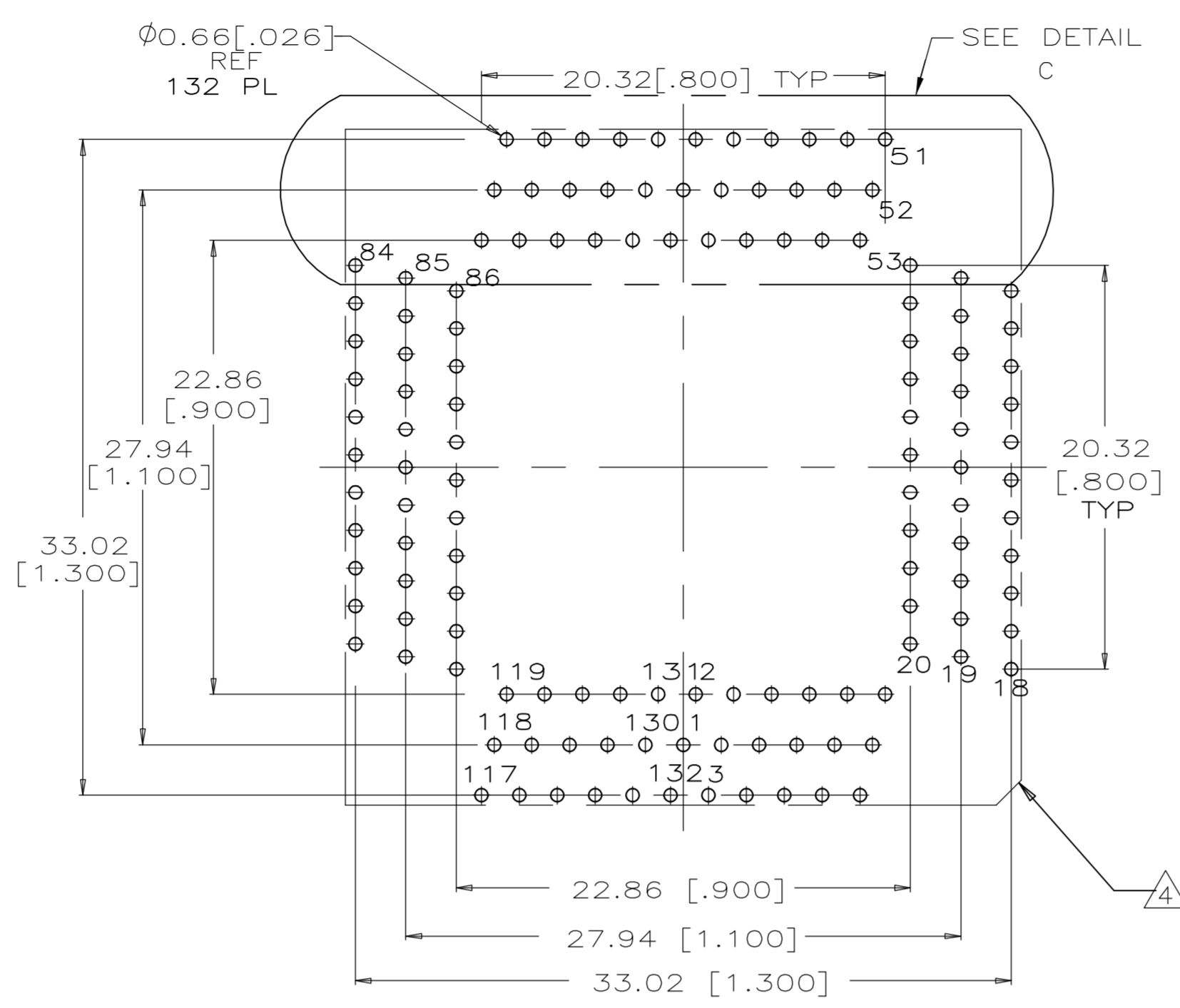
|          |                               |               |               |            |            |
|----------|-------------------------------|---------------|---------------|------------|------------|
| OBSOLETE | △ <sub>6</sub>                | 25.40 [1.000] | 39.12 [1.540] | 2-822064-6 | 164        |
|          | △ <sub>7</sub> △ <sub>6</sub> | 20.32 [.800]  | 34.04 [1.340] | 2-822064-5 | 132        |
|          | △ <sub>7</sub> △ <sub>6</sub> | 15.24 [.600]  | 28.96 [1.140] | 2-822064-4 | 100        |
| OBSOLETE | △ <sub>2</sub>                | 25.40 [1.000] | 39.12 [1.540] | 822064-6   | 164        |
|          | △ <sub>2</sub>                | 20.32 [.800]  | 34.04 [1.340] | 822064-5   | 132        |
|          | △ <sub>2</sub>                | 15.24 [.600]  | 28.96 [1.140] | 822064-4   | 100        |
| FINISH   |                               | B             | A             | PART NO.   | NO OF POSN |

THIS DRAWING IS A CONTROLLED DOCUMENT.

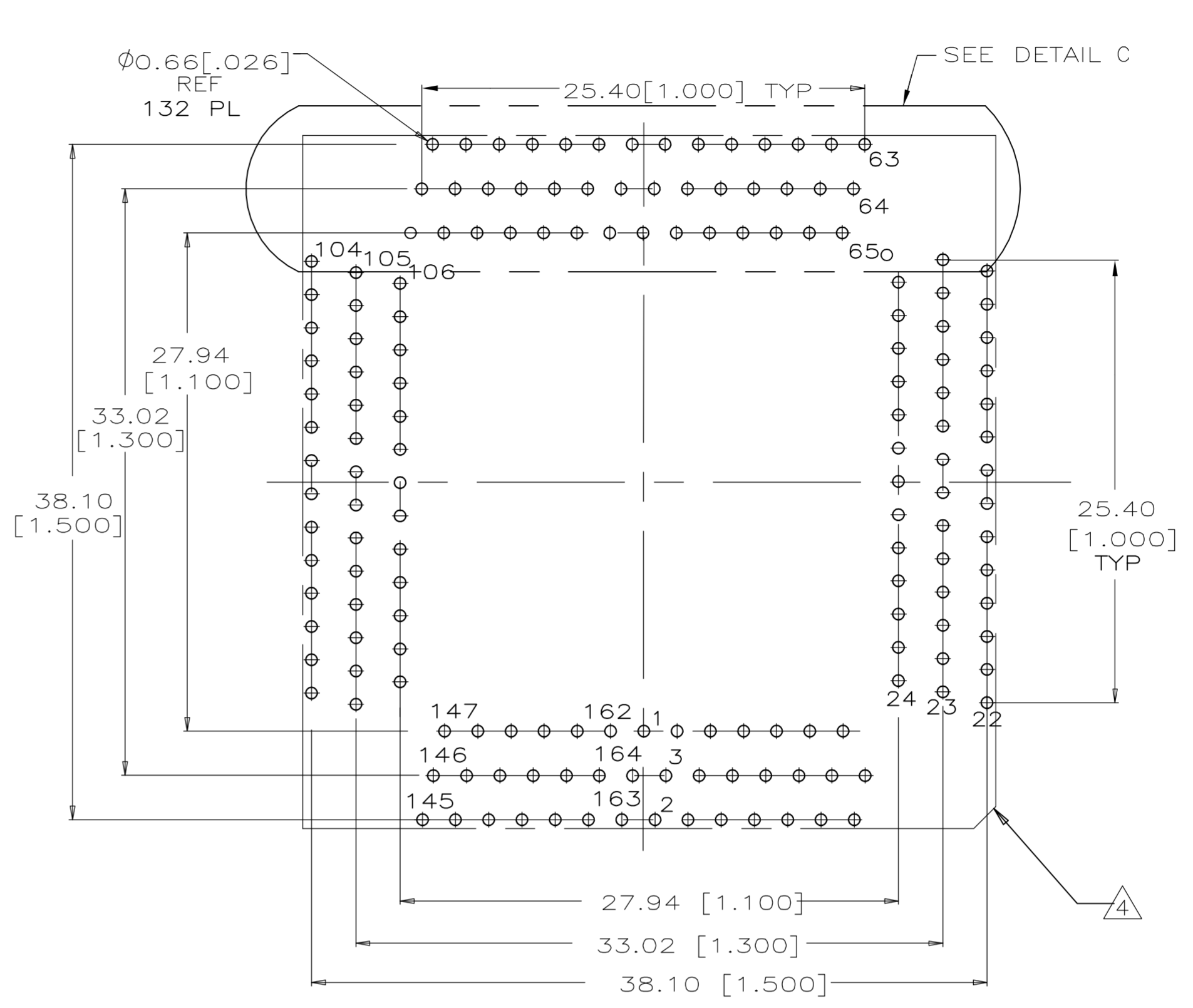
|                    |  |        |          |   |            |               |
|--------------------|--|--------|----------|---|------------|---------------|
| DIMENSIONS: INCHES | TOLERANCES UNLESS OTHERWISE SPECIFIED: | DWN    | 10-13-90 | Tyco Electronics Corporation<br>Harrisburg, Pa                  |            |               |
| 0 PLC ± -          | 1 PLC ± -                              | CHK    | 10-13-90 |   |            |               |
| 2 PLC ± -          | 3 PLC ± 0.13[.005]                     | APVD   | 10-13-90 | MICRO-PITCH SOCKET<br>HOUSING SUB-ASSEMBLY<br>REVERSE FOOTPRINT |            |               |
| 4 PLC ± -          | ANGLES ± -                             | NAME   |          |   |            |               |
| MATERIAL           | FINISH                                 | WEIGHT | SIZE     | CAGE CODE   | DRAWING NO | RESTRICTED TO |
| 1 2 3 6            | SEE TABLE                              | -      | A1       | 00779   | 822064     | -             |
| CUSTOMER DRAWING   |  |        | SCALE    | SHEET   | REV        |               |
|                    |  |        | 10:1     | 1 OF 3  | H          |               |



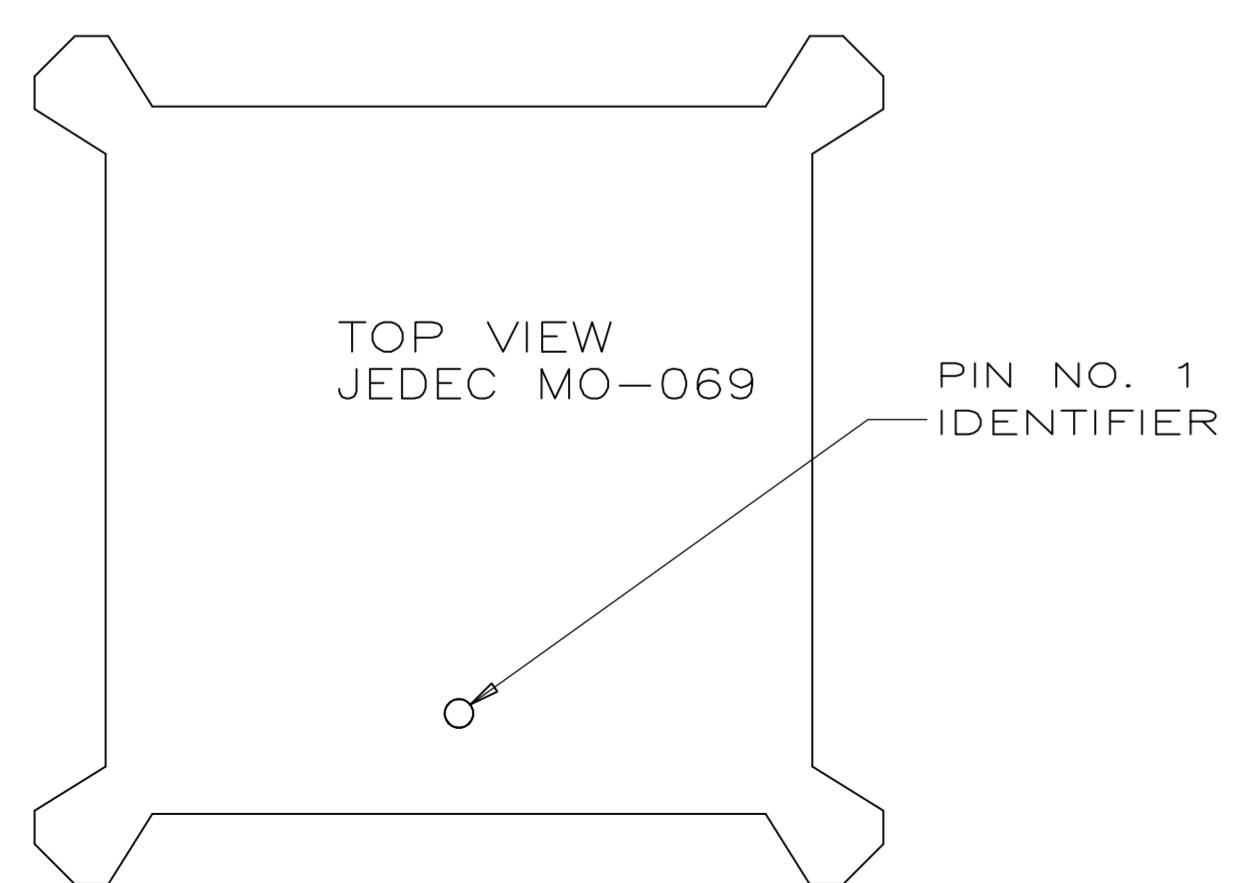
RECOMMENDED P.C. BOARD HOLE PATTERN  
 SOCKET SIDE  
 100 POSN.  
 SCALE: 4:1



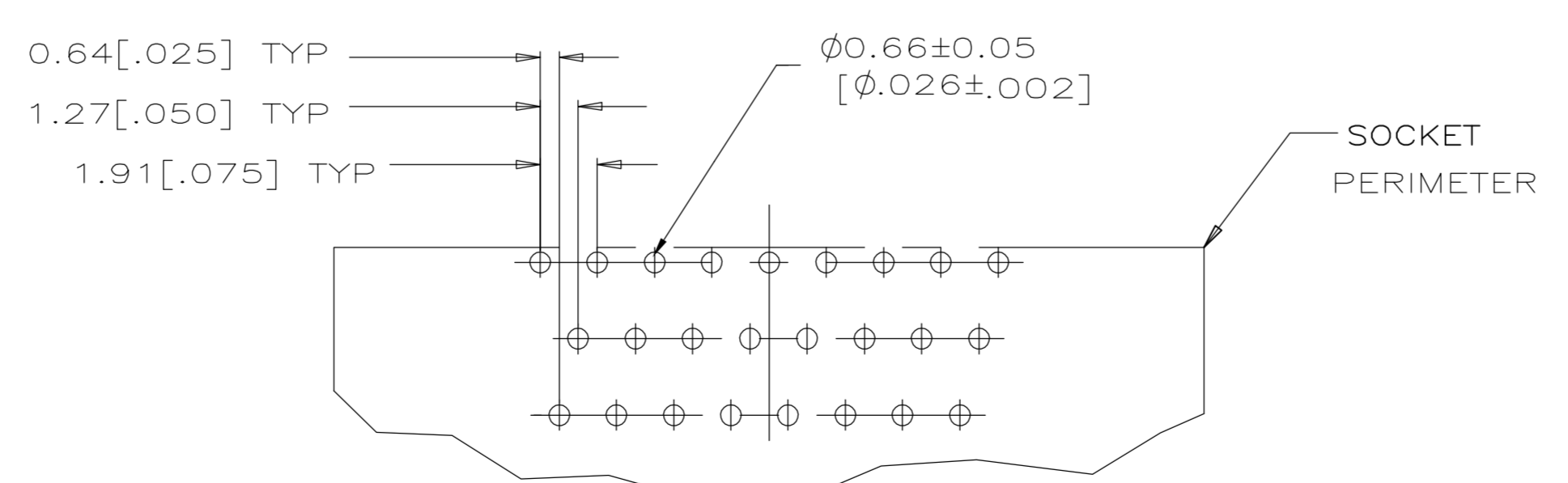
RECOMMENDED P.C. BOARD HOLE PATTERN  
 SOCKET SIDE  
 132 POSN.  
 SCALE: 4:1



RECOMMENDED P.C. BOARD HOLE PATTERN  
 SOCKET SIDE  
 164 POSN.  
 SCALE: 4:1

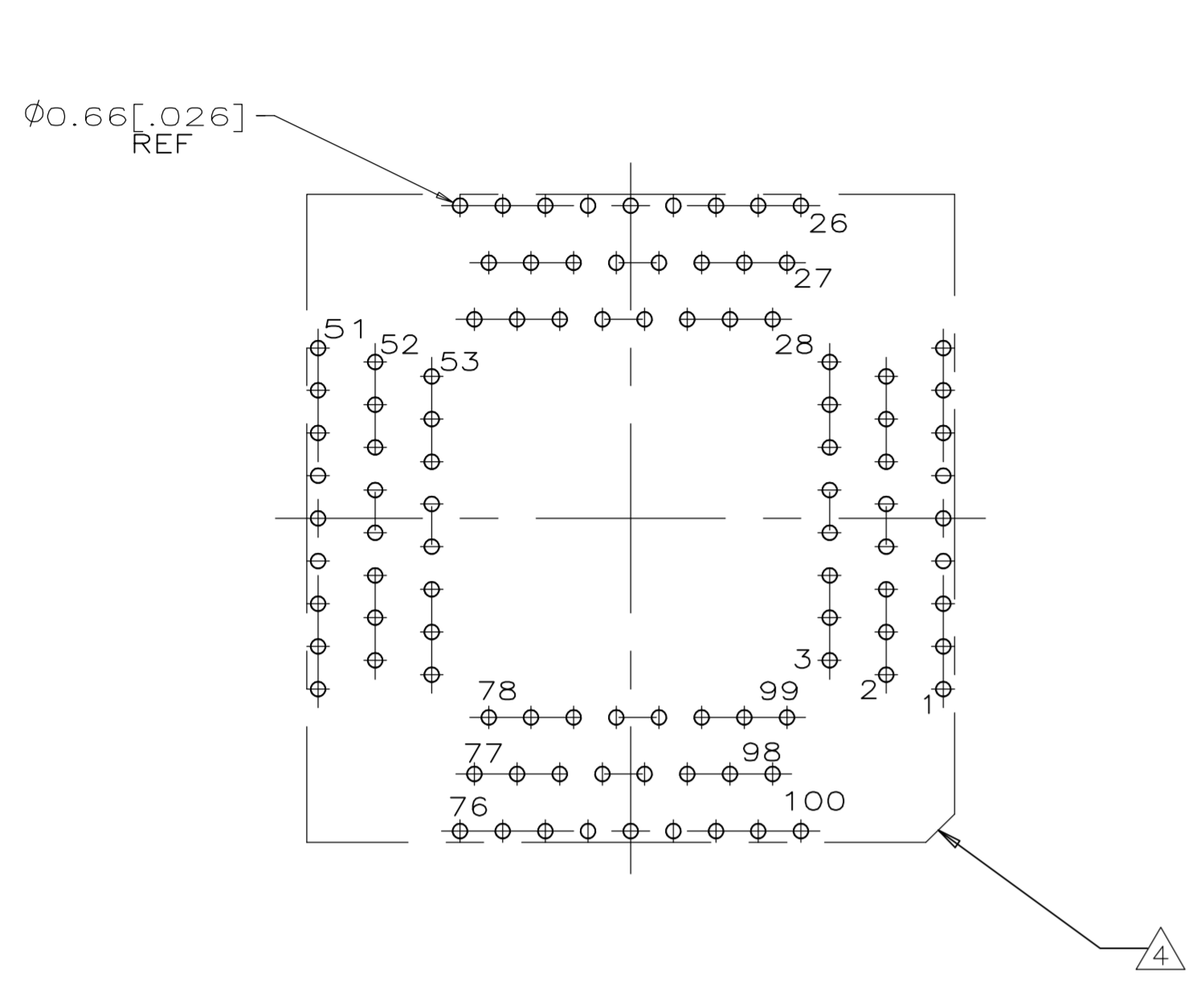


CHIP POLARIZATION REFERENCE VIEW  
 (PIN NUMBERING ON THIS SHEET ARE FOR  
 CENTER LOCATION OF PIN 1 IDENTIFIER)

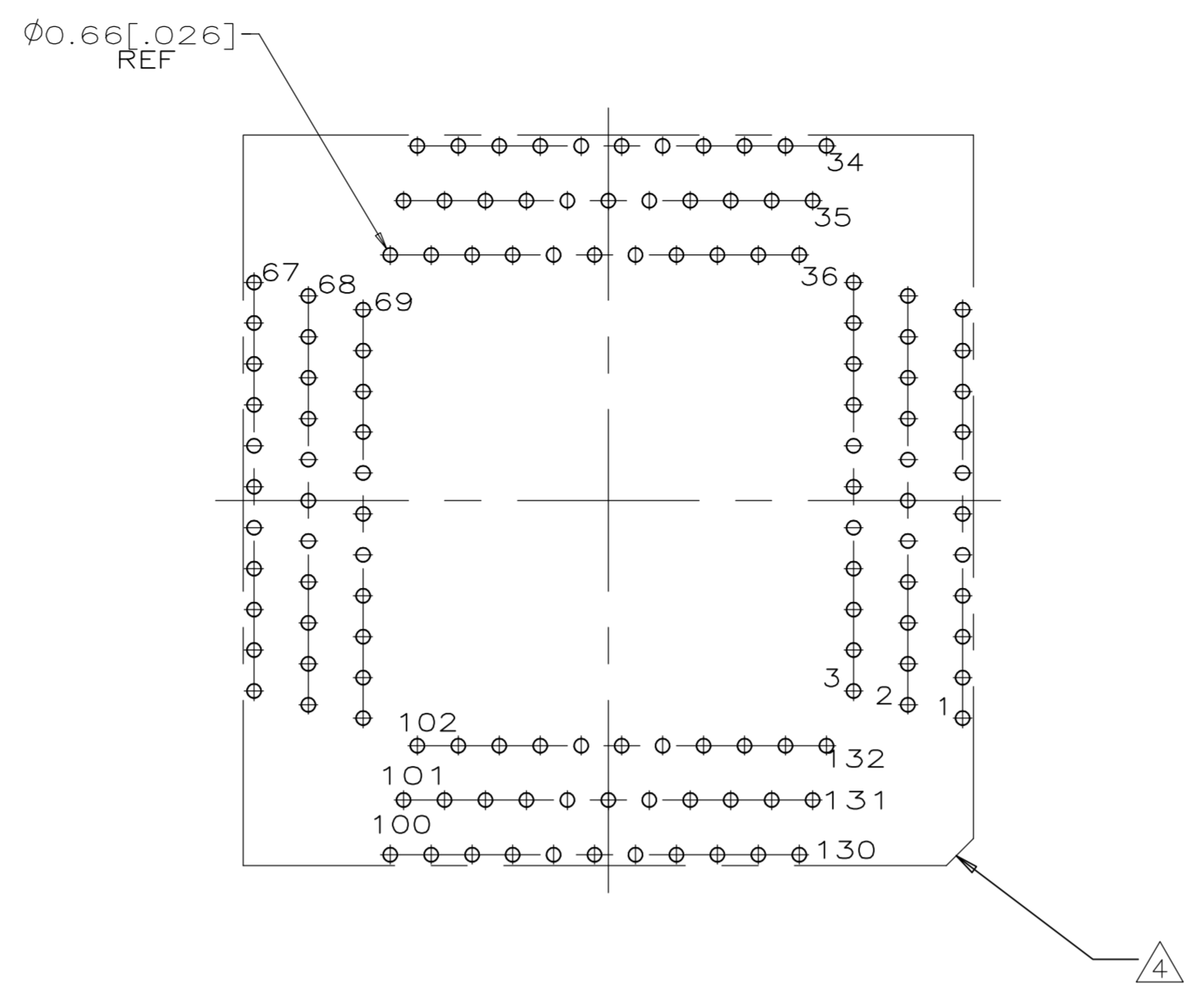


DETAIL C  
 (TYP FOR ALL POSITIONS)

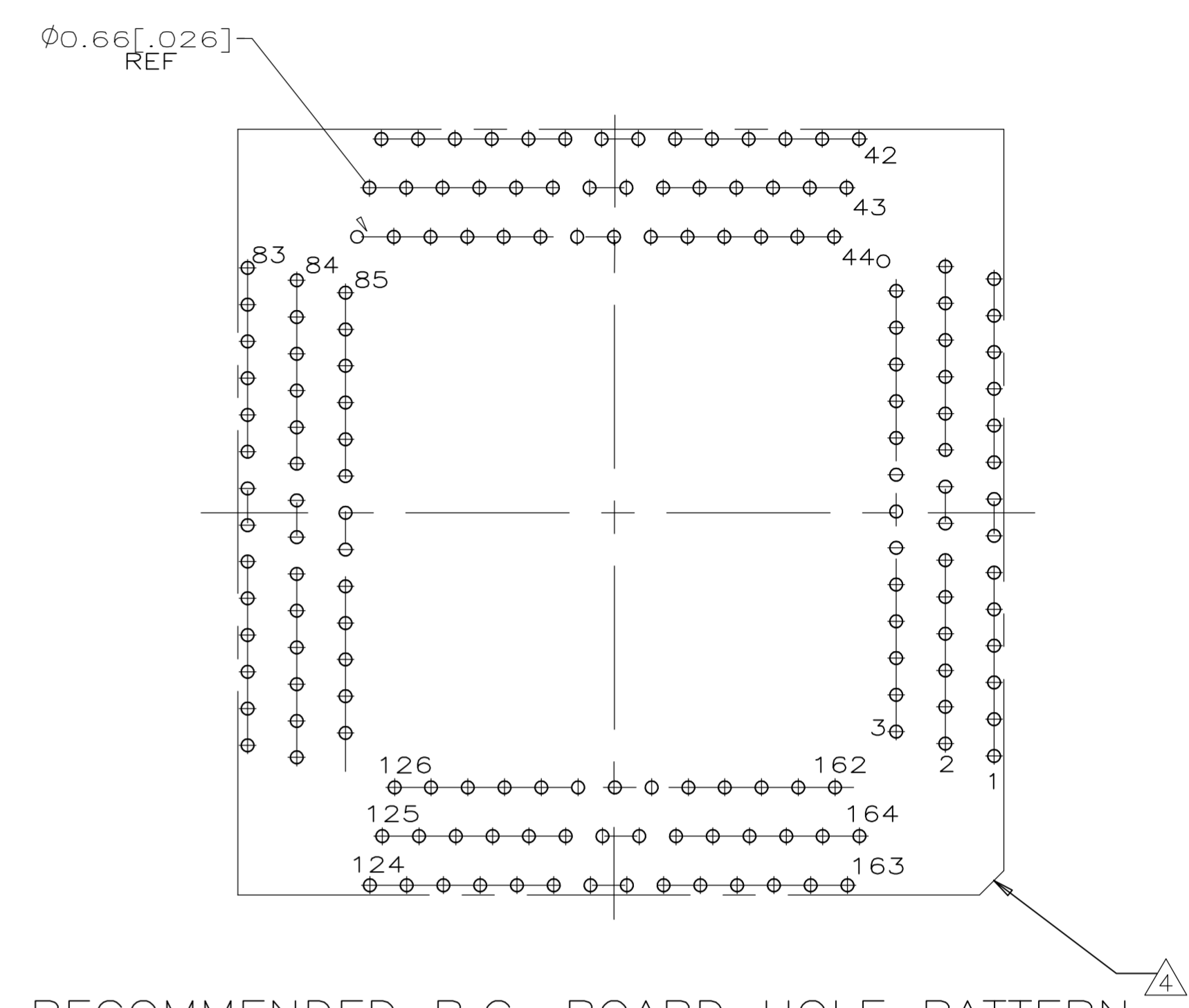
|  |  |                              |   |
|--|--|------------------------------|---|
| THIS DRAWING IS A CONTROLLED DOCUMENT.   |  | DWN<br>K. SALMON<br>10-13-90 | Tyco Electronics Corporation<br>Harrisburg, Pa. |
| DIMENSIONS: INCHES   |  | CHK<br>R. MILLER<br>10-13-90 |   |
| TOLERANCES UNLESS OTHERWISE SPECIFIED:<br>0. PLC ± -<br>1. PLC ± -<br>2. PLC ± -<br>3. PLC ± 0.1±(0.005)<br>4. PLC ± -<br>ANGLES ± - |  | APVD<br>-                    | NAME<br>-                                       |
|  |  | PRODUCT SPEC<br>-            | APPLICATION SPEC<br>-                           |
| MATERIAL<br>1 2 3 6  |  | FINISH<br>SEE TABLE          | WEIGHT<br>-                                     |
| CUSTOMER DRAWING   |  | SIZE<br>A1                   | CASE CODE<br>00779                              |
| SCALE<br>10:1  |  | DRAWING NO.<br>822064        | RESTRICTED TO<br>-                              |
| SHEET<br>2 of 3  |  | REV<br>H                     |   |



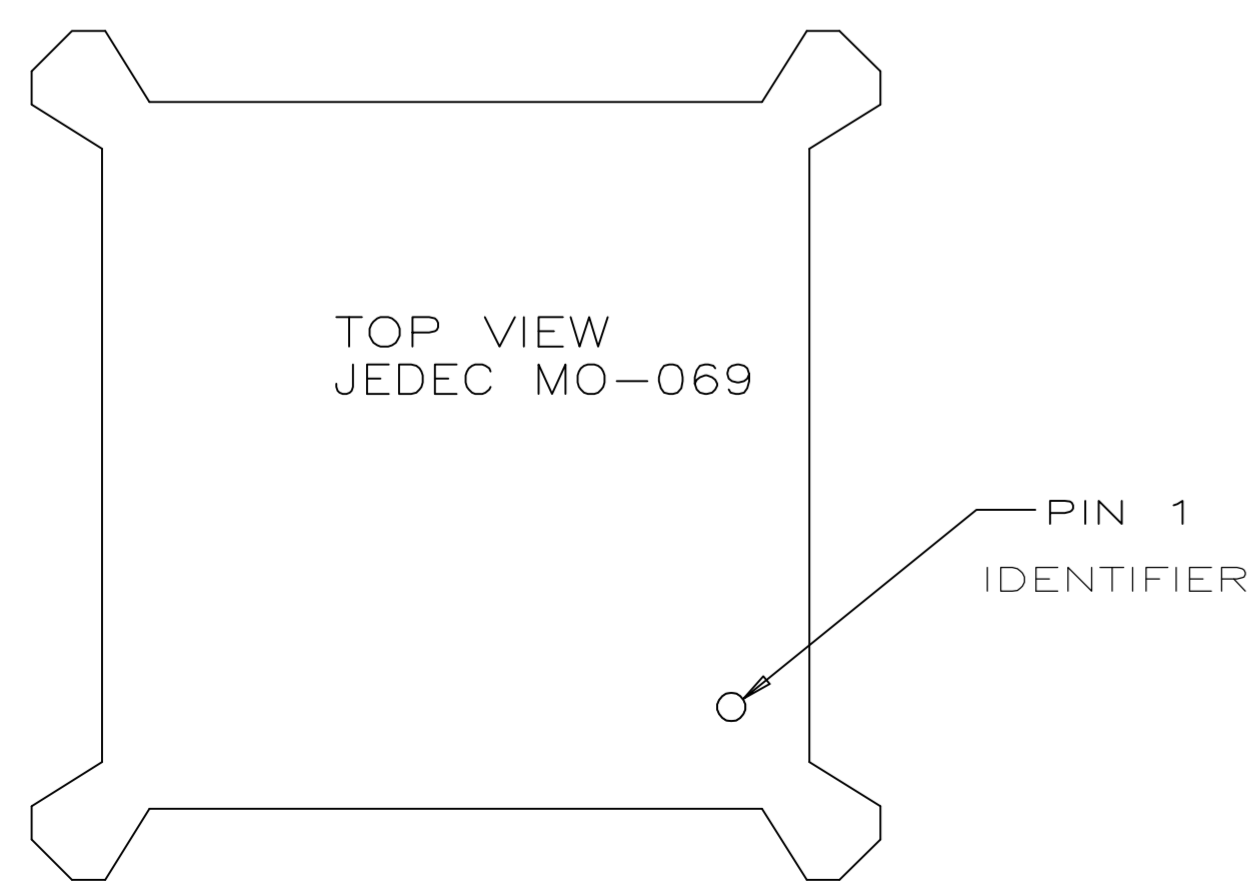
RECOMMENDED P.C. BOARD HOLE PATTERN  
 SOCKET SIDE  
 100 POSN.  
 SEE SHEET 2 100 POSN FOR DIMENSIONS



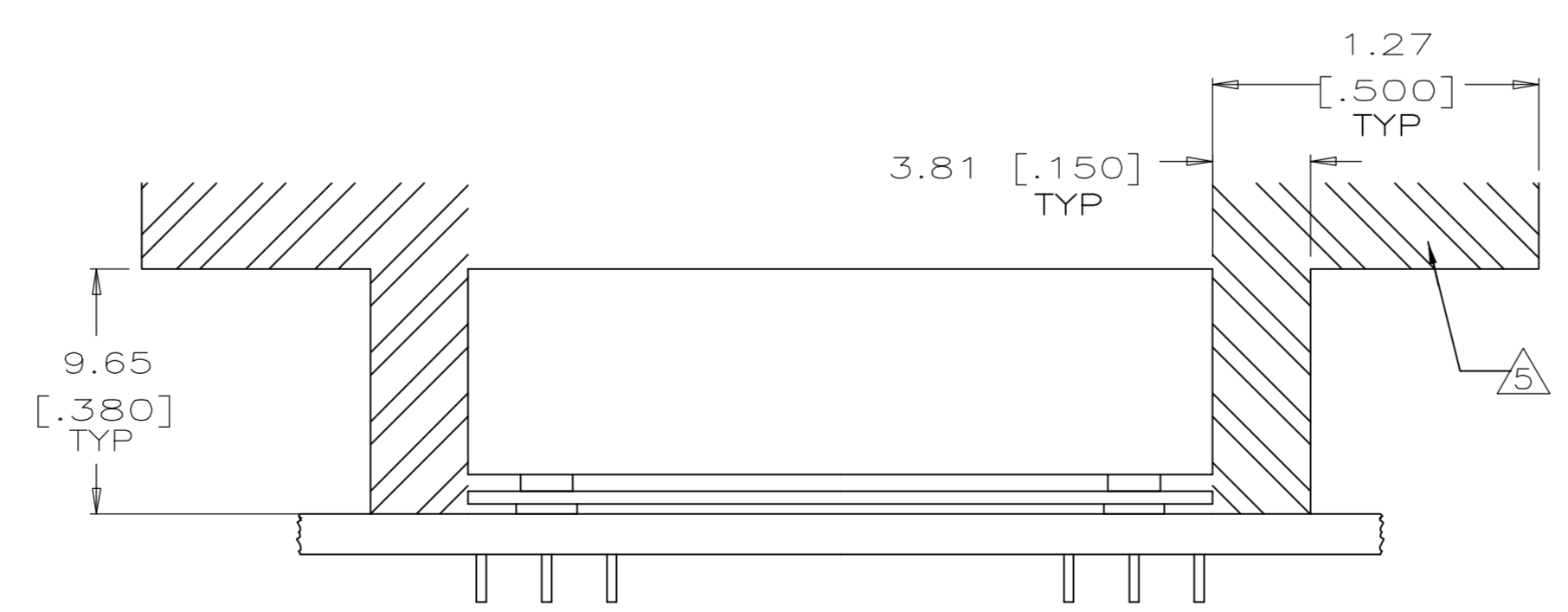
RECOMMENDED P.C. BOARD HOLE PATTERN  
 SOCKET SIDE  
 132 POSN.  
 SEE SHEET 2 132 POSN FOR DIMENSIONS



RECOMMENDED P.C. BOARD HOLE PATTERN  
 SOCKET SIDE  
 164 POSN.  
 SEE SHEET 2 164 POSN FOR DIMENSIONS



CHIP POLARIZATION REFERENCE VIEW  
 (PIN NUMBERING ON THIS SHEET IS FOR OFF CENTER LOCATION OF PIN 1 IDENTIFIER)



MICRO-PITCH SOCKET

|  |  |                              |  |   |   |
|--|--|------------------------------|--|---|---|
| THIS DRAWING IS A CONTROLLED DOCUMENT. |  | DWN<br>K. SALMON<br>10-13-90 |  | Tyco Electronics Corporation<br>Harrisburg, Pa. |   |
| DIMENSIONS: INCHES                     |  | CHK<br>R. MILLER<br>10-13-90 |  | NAME<br>F. BOYD<br>10-13-90                     | MICRO-PITCH SOCKET HOUSING SUB-ASSEMBLY REVERSE FOOTPRINT |
| TOLERANCES UNLESS OTHERWISE SPECIFIED: |  | APVD<br>F. BOYD<br>10-13-90  |  | RESTRICTED TO                                   |   |
| 0 PLC ± -                              |  | PRODUCT SPEC                 |  | SIZE<br>A1                                      |   |
| 1 PLC ± -                              |  | APPLICATION SPEC             |  | CAGE CODE<br>822064                             |   |
| 2 PLC ± -                              |  | WEIGHT                       |  | SCALE<br>10:1                                   |   |
| 3 PLC ± 0.12(.005)                     |  | CUSTOMER DRAWING             |  | SHEET<br>3 OF 3                                 |   |
| 4 PLC ± -                              |  | SEE TABLE                    |  | REV<br>H  |   |
| ANGLES ± -                             |  |                              |  |   |   |