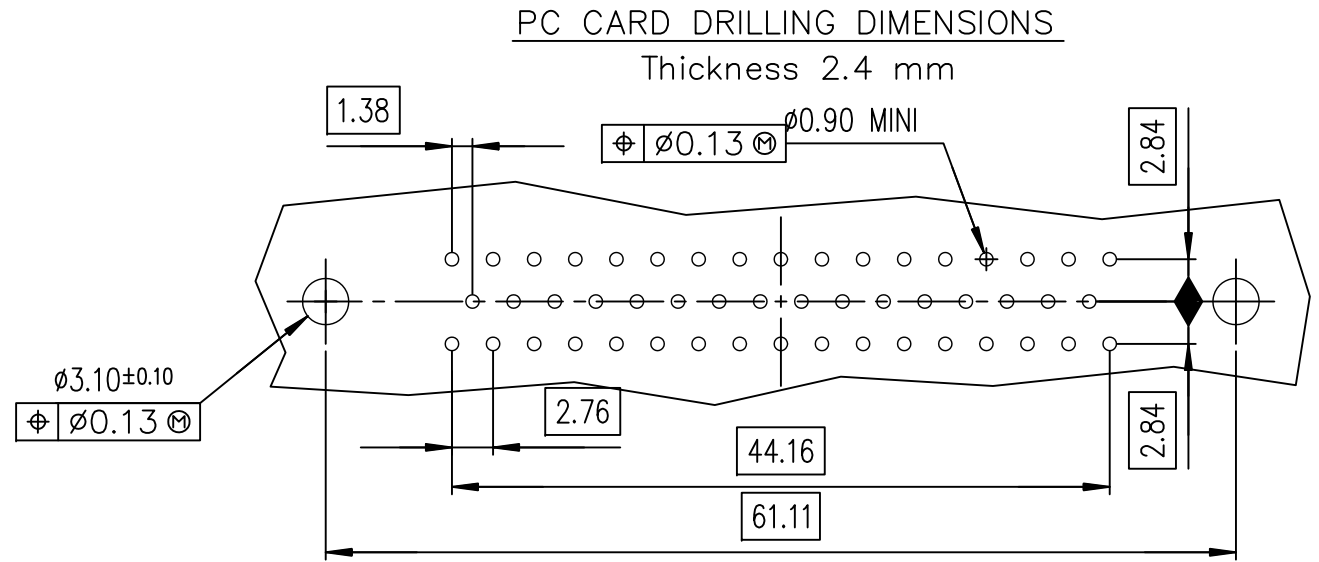
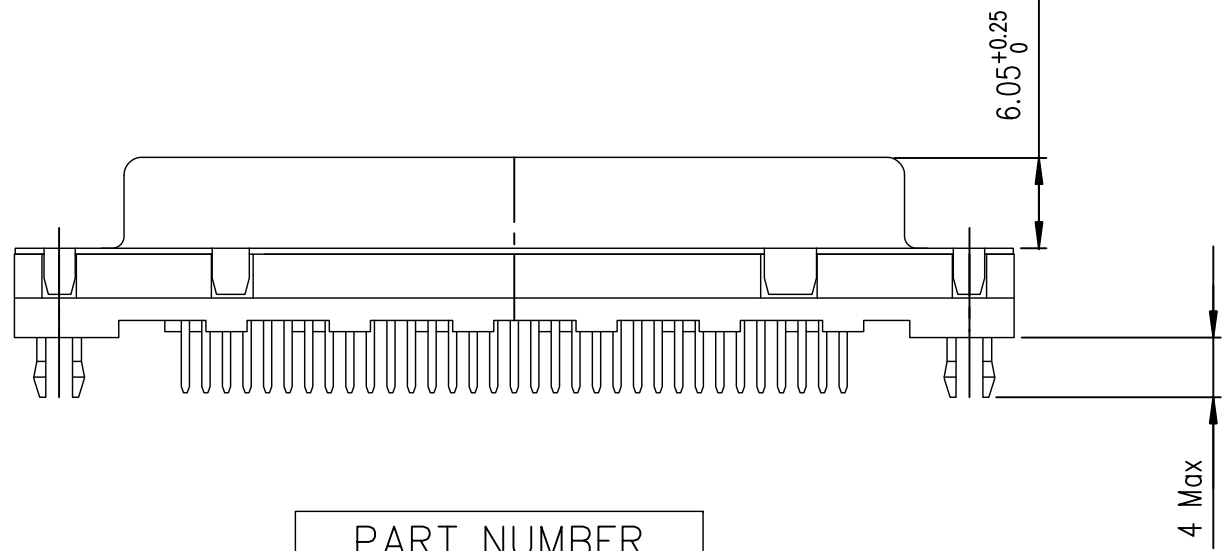
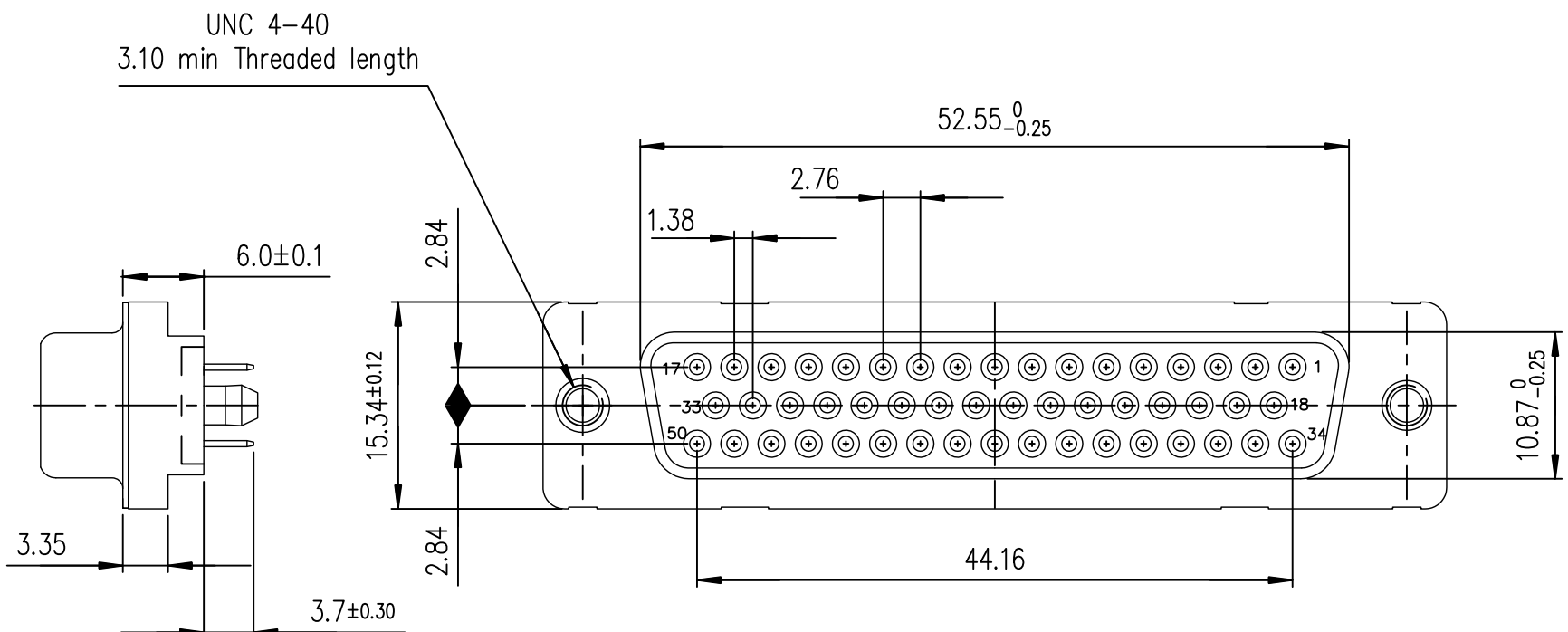
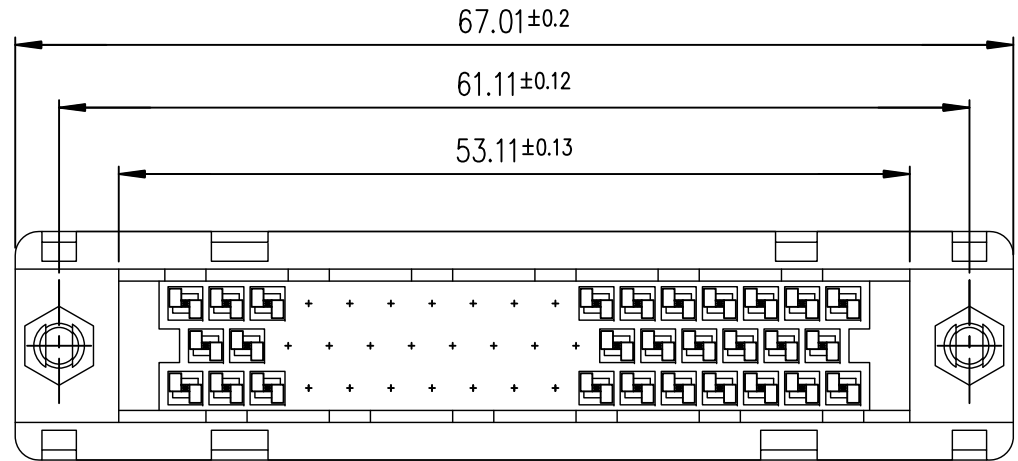




Copyright FCI



PART NUMBER  
D50S24B\*GX00LF

Plating: 4 --> Flash Au  
Plating: 6 --> 0.76μ Au

GENERAL CHARACTERISTICS AND ROHS INFORMATIONS:  
SEE DRAWING C01-8646-0000

|             |             |            |            |                                       |             |            |               |                              |           |
|-------------|-------------|------------|------------|---------------------------------------|-------------|------------|---------------|------------------------------|-----------|
| mat'l. code |             | surface    |            | tolerance                             |             | projection |               | product family               |           |
| -           |             | ISO 1302 ✓ |            | ISO 406 ISO 1101                      |             |            |               | D-SUB                        |           |
| ltr         | ecn no      | dr         | date       | tolerances unless otherwise specified |             |            |               |                              |           |
| C           | ELX-I-21654 | AB         | 2015-10-26 | angles                                | linear      | .0±0.1     |               | title                        |           |
|             |             |            |            | 0°±2x'                                |             | .00±0.1    |               | FEMALE CONNECTOR 50          |           |
|             |             |            |            |                                       |             | .000±0.1   |               | STRAIGHT SOLDER HARPOON NUTS |           |
|             |             |            |            | dr                                    | PESSON      | 2000-12-20 | MM            |                              | scale 2:1 |
|             |             |            |            | enr                                   | MITHUN PAUL | 2015-10-26 |               |                              | dwg no    |
|             |             |            |            | chr                                   | ALIAS BABU  | 2015-10-26 | sheet 1 of 1  |                              | size      |
|             |             |            |            | app                                   | BIJU K PAUL | 2015-10-26 | C01-8646-0749 |                              | A3        |
| sheet index |             | revision   | C          | type Product - Customer Drw Drawing   |             |            |               |                              |           |
| 1           |             | sheet      | 1          |                                       |             |            |               |                              |           |