

Model No: DX25BG60-04  
Product Line: Tymphany

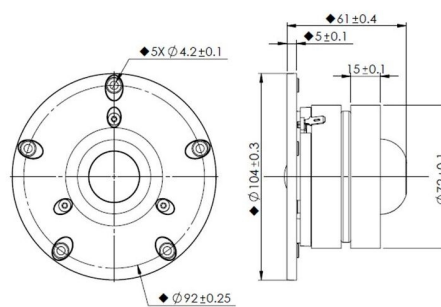
Rev: 3  
Last Update: 2017-04-21 12:42:51

### Product Description

This DX family tweeter features a 4 ohm 25 mm ferrofluid-cooled voice coil, a damped silk diaphragm with large surround roll to produce a low resonant frequency, and a big ferrite magnet motor for power handling capacity. The faceplate features recessed mounting holes to minimize reflections.



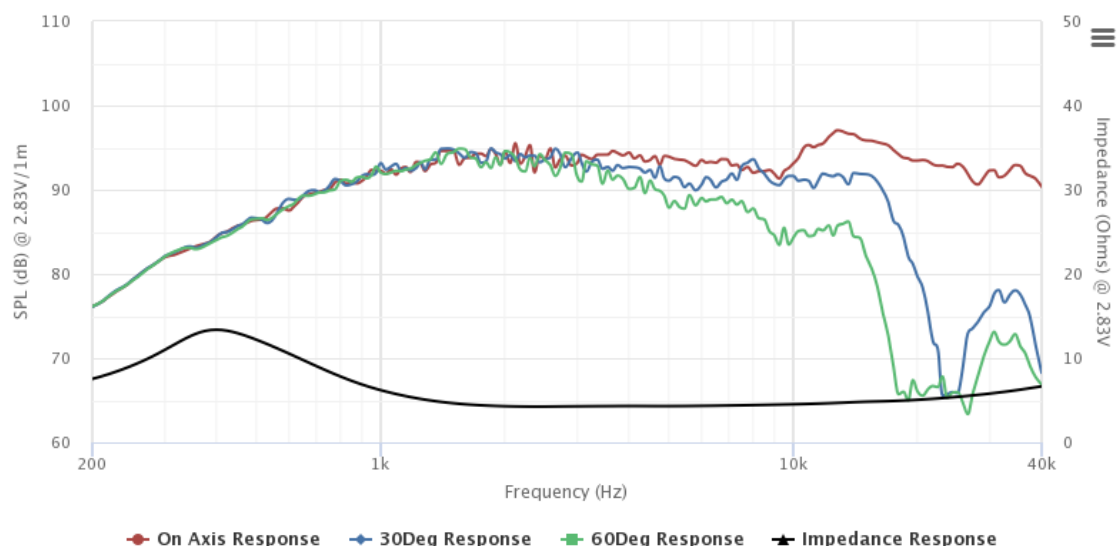
### Mechanical Drawing



### Specifications

|                               |             |        |         |           |                            |      |                          |                |
|-------------------------------|-------------|--------|---------|-----------|----------------------------|------|--------------------------|----------------|
| DC Resistance                 | Revc        | Ohms   | 3.47    | 5.0%      | Energy Bandwidth Product   | EBP  | (1/Qes)*fs               |                |
| Minimum Impedance             | Zmin        | Ohms   | 4.25    | 7.5%      | Moving Mass                | Mms  | g                        | 0.3            |
| Voice Coil Inductance         | Le          | mH     | 0.01    |           | Suspension Compliance      | Cms  | um/N                     | 475            |
| Resonant Frequency            | Fs          | Hz     | 415.36  | 15%       | Effective Cone diameter    | D    | cm                       | 3.2            |
| Mechanical Q Factor           | Qms         |        | 1.4     |           | Effective Piston Area      | Sd   | cm <sup>2</sup>          | 8              |
| Electrical Q Factor           | Qes         |        | 0.48    |           | Effective Volume           | Vas  | L                        | 0.04           |
| Total Q Factor                | Qts         |        | 0.35    |           | Motor Force Factor         | BL   | Tm                       | 2.46           |
| Ratio Fs/Qts                  | F           | Fs/Qts | 1186.74 |           | Motor Efficiency Factor    | β    | (T*M <sup>2</sup> )/Ohms | 1.7            |
| Half Space Sensitivity @2.83V | db@2.83V/1M | dB     | 93.99   | +/- 1.0db | Voice coil former Material | VCfm |                          | ASV            |
| Half Space Sensitivity @1W/1M | db@1W/1M    | dB     | 91.2    | +/- 1.0db | Voice coil inner diameter  | VCd  | mm                       | 25.76          |
| Gap Height                    | Gh          | mm     | 2       |           | Rated Noise Power          | P    | W                        | 80             |
| Maximum Linear Excursion      | Xmax        | mm     | 0.1     |           | Test Spectrum Bandwidth    |      |                          | 2.5kHz - 20kHz |
| Ferrofluid Type               | FF          |        |         |           | Driver Size                | Inch |                          | 25 mm          |
| Driver Mass                   | Kg          |        | 0.8     |           |                            |      |                          |                |

### Frequency and Impedance Response



Highcharts.com