

PART NUMBER

10142708-XXX0XLF

PART NUMBER:

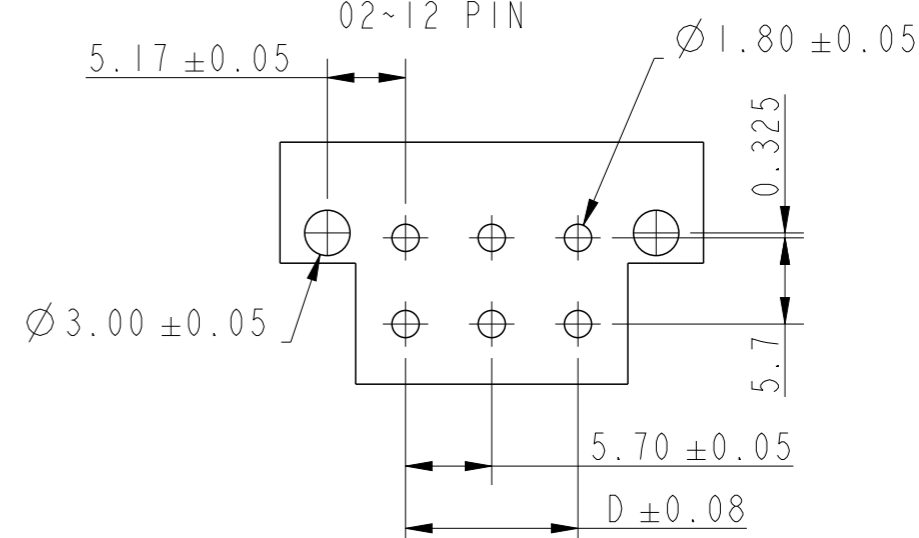
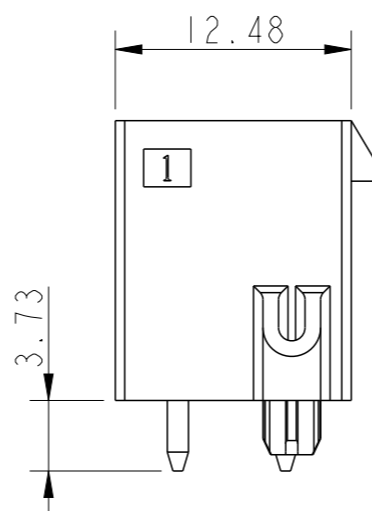
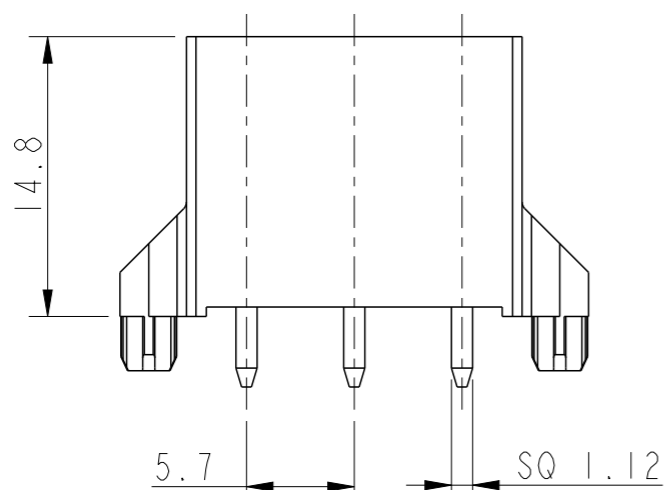
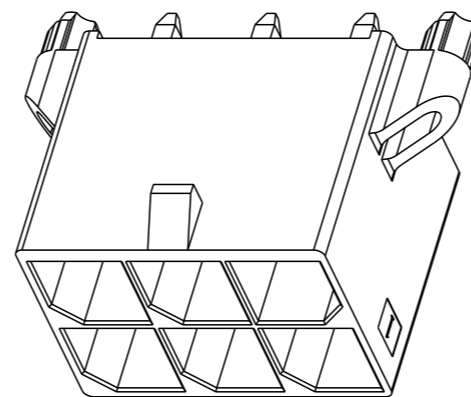
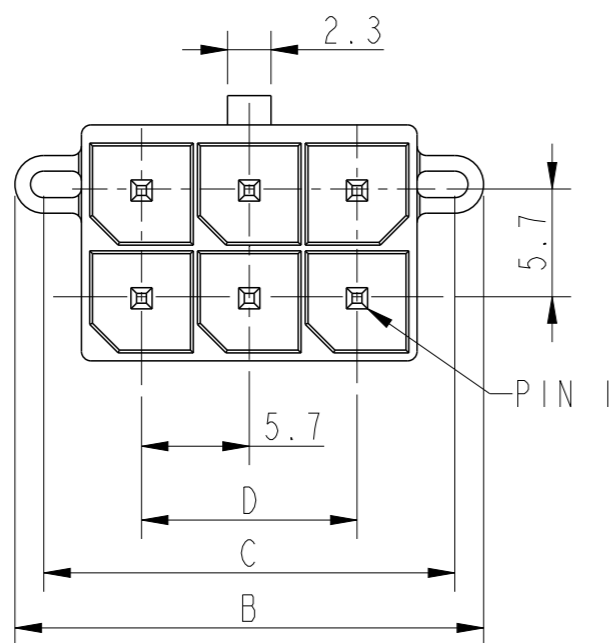
10142708-XX X 0 X LF

PACKAGE:  
0: TRAY  
1: TAPE&REEL WITHOUT PICK UP CAP

MATERIAL: LCP

PLATING:  
0: 30u" GOLD PLATING ON CONTACT AREA AND 100u" TIN PLATING ON SOLDER TAIL  
1: 15u" GOLD PLATING ON CONTACT AREA AND 100u" TIN PLATING ON SOLDER TAIL  
2: 100u" TIN PLATING OVER ALL

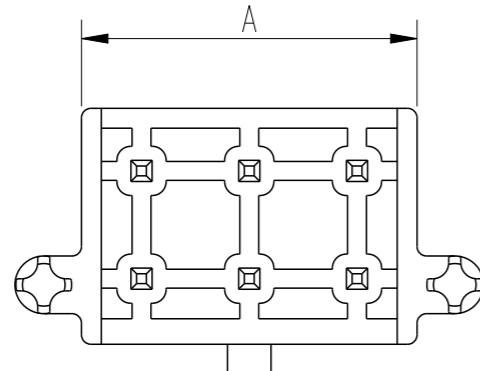
PIN COUNT:  
02~12 PIN



RECOMMENDED PCB LAYOUT  
PCB THK=1.58~2.36mm

NOTES:

- HOUSING: LCP UL94V-0, HALOGEN FREE, GLOW WIRE COMPATIBLE, BLACK.
- RoHS COMPLIANT.
- MATE WITH HOUSING P/N: 10142707.
- PRODUCT SPEC: GS-12-1405.
- PACKAGE SPEC: GS-14-2595.
- THE HSU CAN WITHSTAND EXPOSURE TO 260°C PEAK TEMP FOR 10 SECONDS IN A REFLOW OVEN.

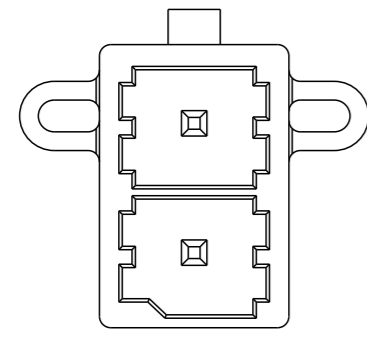


PIN	DIM A	DIM B	DIM C	DIM D
02	8.35	15.39	12.34	-
04	12.05	19.10	16.04	5.70
06	17.75	24.80	21.74	11.40
08	23.45	30.50	27.44	17.10
10	29.15	36.20	33.14	22.80
12	34.85	41.90	38.84	28.50

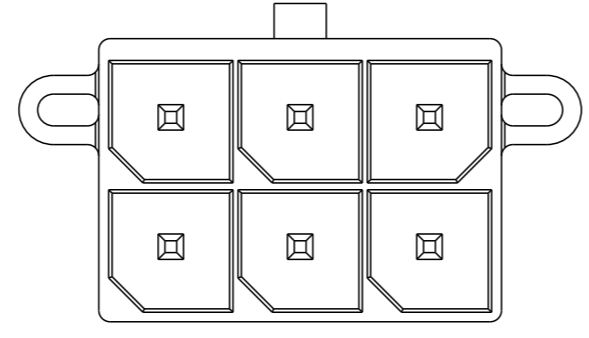
spec ref	dr	Tony Leng	2017/12/01	projection	mm	size	A3	scale	5:2
tolerance std	eng	Tony Leng	2018/01/29			ecn no	ELX-N-29172-1	rel level	Released
TOLERANCES UNLESS OTHERWISE SPECIFIED									
surface	linear	0.X	±0.30		Minitek Power 5.7 Header	dwg no	10142708	rev	D
		0.XX	±0.20						
		0.XXX	±0.10						
	angular	0°	±2°	cat. no.	Product - Customer Drw	sheet 1 of 2			

Amphenol  
FCi

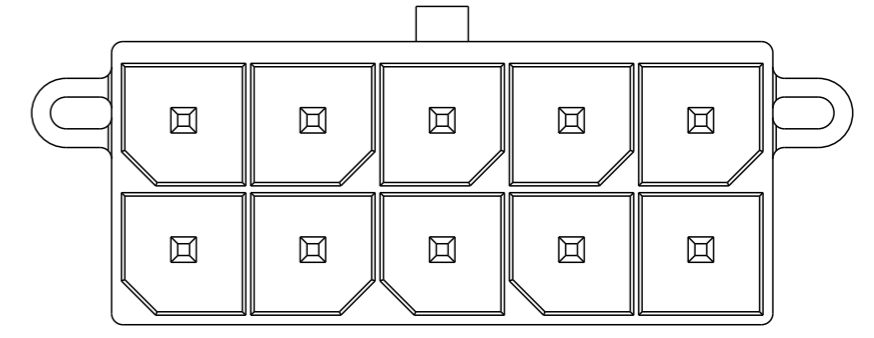
© 2016 AFCI



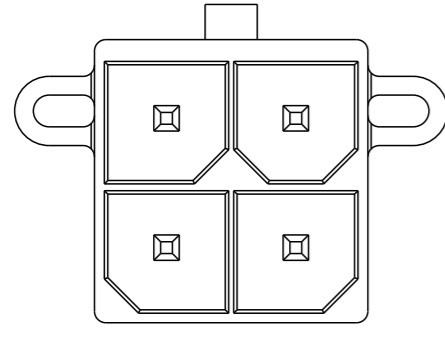
02P



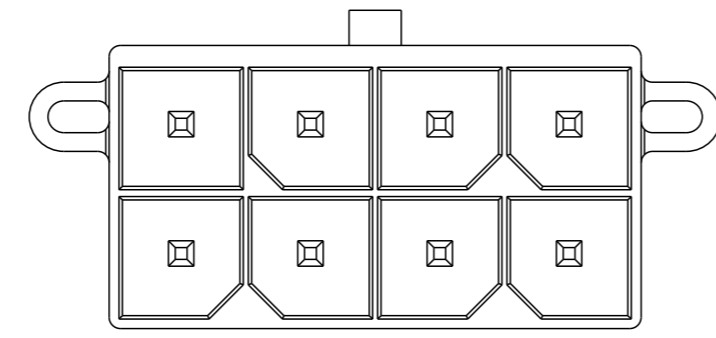
06P



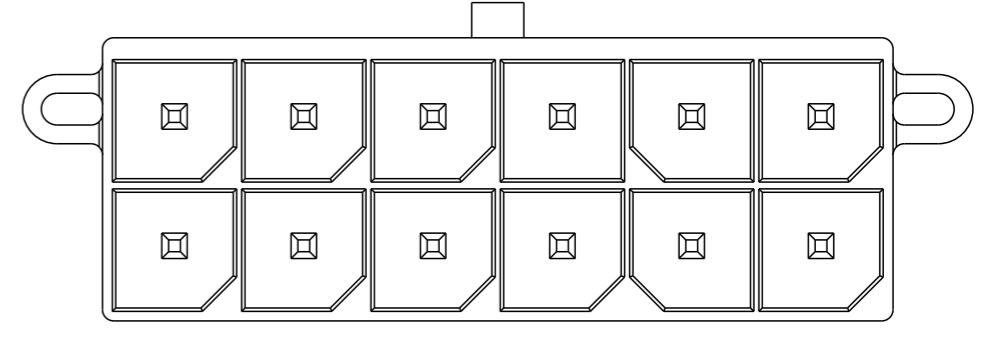
10P



04P



08P



12P

spec ref		dr	Tony Leng	2017/12/01	projection 	mm 	size	A3	scale	5:2		
tolerance std		eng	Tony Leng	2018/01/29			ecn no	ELX-N-29172-1				
TOLERANCES UNLESS OTHERWISE SPECIFIED		chr	-	-			rel level	Released				
surface	✓	linear	0.X	±0.30	Amphenol FCi	title	Minitek Power 5.7 Header		dwg no	10142708	rev	D
			0.XX	±0.20								
			0.XXX	±0.10								
		angular	0°	±2°	cat. no.	Product - Customer Drw		sheet 2 of 2				