

Industrial Relay Type RPY 2 10A Monostable



- High switching power
- Small size
- Wide range of applications
- 10A switching capacity
- 2 pole configuration
- Flanged (blade) pins 5mm (0.20")
- DC coils from 6 to 240V
- AC coils from 6 to 380V
- High sensitivity
- Compliant with CE low voltage directive
- TÜV, UL, CSA approved

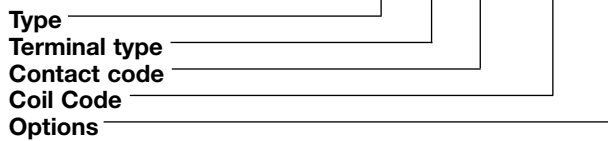
Product Description

The RPY relay can be used for a wide range of industrial applications.

Available in a 1, 2, 3, 4 pole change-over contact configuration. Its wide terminals allow reliability at big currents.

Ordering Key

RPY A 002 A24 DLT



Terminal type A = Plug in terminals, blades
B = PCB terminals

Box content: 20 relays
Box size: (W 240 x D 105 x H 38) mm Weight: 750g
(W 9.45 x D 4.13 x H 1.50) inches Weight: 26.45oz

Approvals



Type Selection

Contact configuration	Contact rating	Contact code
2 change over contact (DPDT- 2 form C)	10A	002

Coil Characteristics, DC @ +25°C (+77°F), coil power 900mW

Coil Code	Nominal Voltage VDC	Pick-up Voltage VDC	Drop-out Voltage VDC	Max.Allowed Voltage VDC	Coil Current mA	Coil Resistance Ω
6	6	4.5	0.60	6.6	150	40
9	9	6.75	0.90	9.9	100	90
12	12	9	1.20	13.2	75	160
24	24	18	2.40	26.4	36.9	650
36	36	27	3.60	39.6	24	1500
48	48	36	4.80	52.8	18.5	2600
100	100	75	10.0	110	9.09	11000
110	110	82.5	11.0	121	10	11000
220	220	165	22.0	242	5.24	42000
240	240	180	24.0	264	3.75	64000

Coil Characteristics, AC @ +25°C (+77°F), coil power 1.2VA

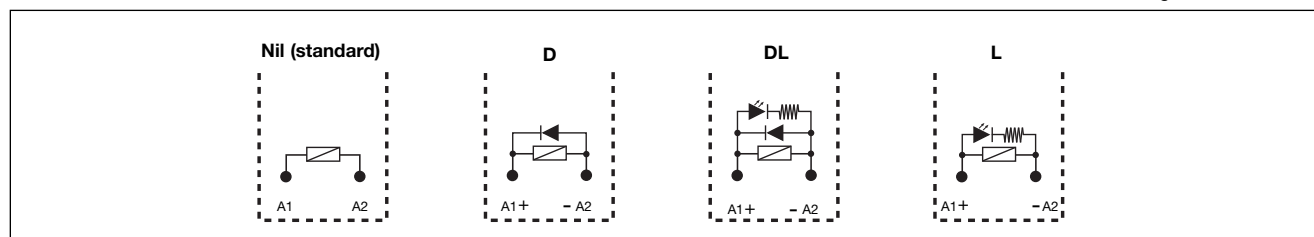
Coil Code	Nominal Voltage VAC	Pick-up Voltage VAC	Drop-out Voltage VAC	Max. Allowed Voltage VAC	Coil Current mA		Coil Resistance Ω
					50Hz	60Hz	
A6	6	4.8	1.8	6.6	230	200	11.5
A12	12	9.6	3.6	13.2	120	100	40
A24	24	19.2	7.2	26.4	57.5	50	160
A36	36	28.8	10.8	39.6	38	33	370
A48	48	38.4	14.4	52.8	28.75	25	600
A110	100/110	88	33.0	121	12.7	11	3750
A120	120	96	36.0	142	11.5	10	3900
A220	220	176	66.0	242	6.3	5.5	13000
A240	240	192	72.0	264	5.75	5	18790
A380	380	304	114	418	3.62	3.15	42000

Options

Nil = Standard (Fig.1)
D = Free Wheeling diode (DC coil only)
F = Flange Mount (Fig.2)
F1 = lateral flange (Fig.3)
G = Gold Plated contacts

L = LED
T = Test Button

Note:
In case of more options use the alphabetical order for coding.
LED and test button are not available on flange mount version



Contact Characteristics

Contact Rating (With resistive load)	10A-250VAC	Max Switching Power	2500VA / 280W
Rated values	10A-250VAC / 28VDC	Life	
Material	AgSnO ₂ In ₂ O ₃	Electrical life	1x10 ⁵ cycles (3600ops/h)
Contact Resistance	≤50m Ω	Mechanical	1x10 ⁷ cycles (18000ops/h)
Current		UL/CSA ratings	1/3Hp 120VAC 1/2Hp 240VAC 10A @ 30VDC 10A @ 250VAC
Max. switching current	10A		
Min. switching current	10mA @ 12VDC		
Min. switching current G version	1mA @ 6VDC		

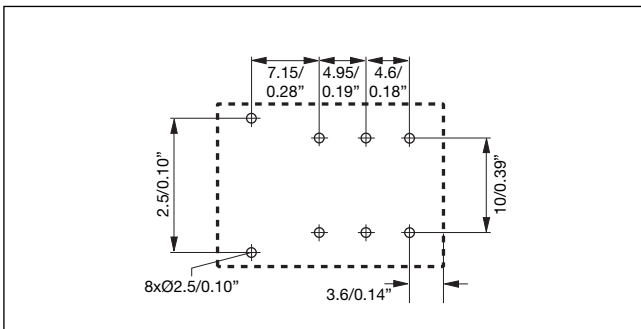
Insulation

Test voltage (1min.)		Insulation According to	
Between coil and contacts	2000VAC	EN61810-5	
Between open contacts	1200VAC	Rated insulation voltage	250V
Contact / contact	1200VAC	Impulsive insulation	2kV
Insulation resistance	≥1000M Ω - 500V	Overvoltage categor	II

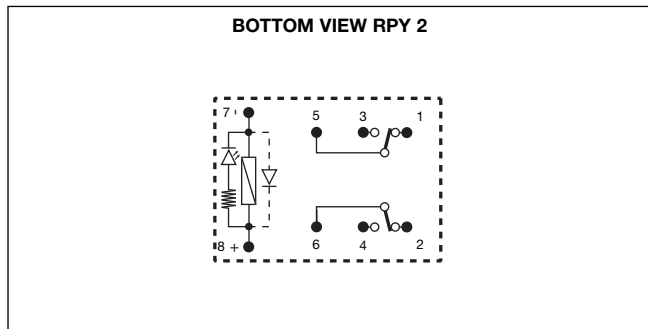
General Data

Nominal coil power	0.9W DC – 1.2VA AC	Vibration resistance	10 to 55Hz 1mm (0.04")
Operating time (at nominal voltage)	≤20ms	Shock resistance	Functional
Release time (at nominal voltage)	≤20ms	Functional	98m/s ² (10G)
Ambient temperature	-25°C +55°C (-13°F to +131°F)	Termination	Flanges (blades) 5mm (0.20")
Ambient humidity	35% to 85%	Construction	Dust cover
		Weight	35g (1.23oz)

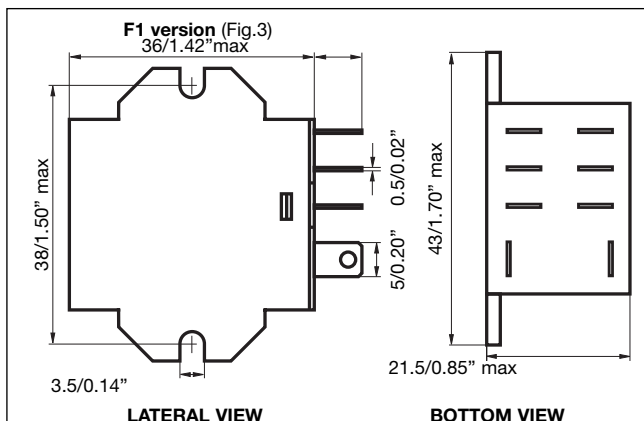
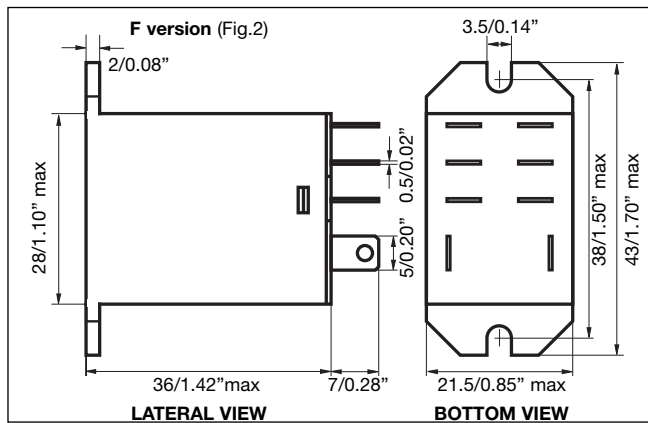
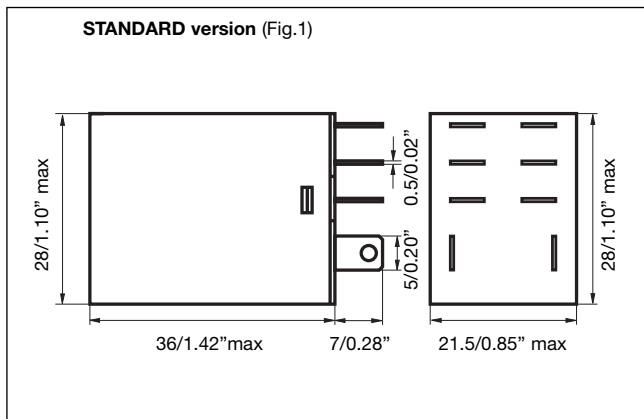
Pin View mm/inches



Wiring Diagram

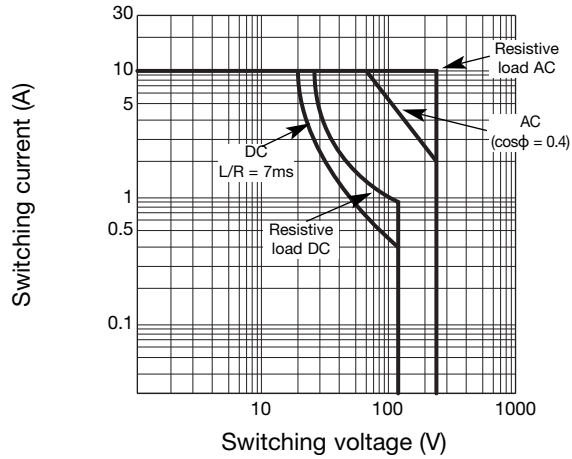


Dimensions mm/inches



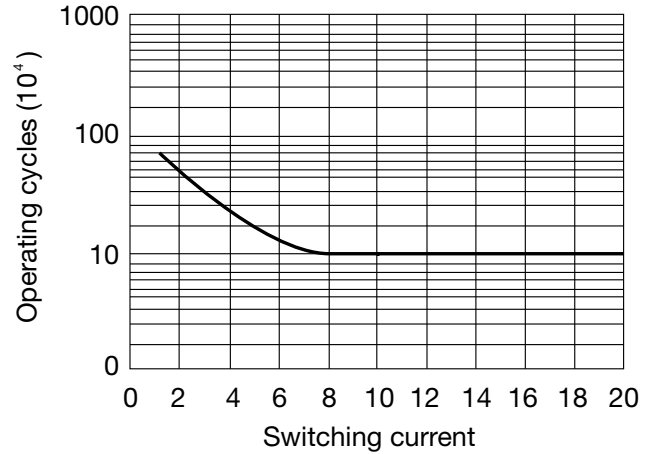
Diagrams

Max. switching current

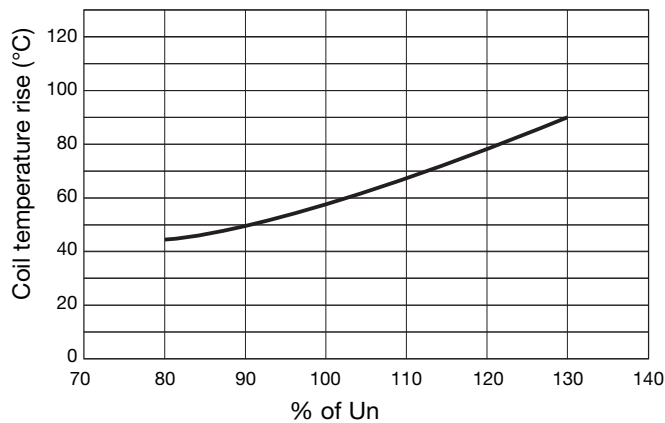


Electrical Life

250VAC Resistance load



Temperature curve of coil



Bases and Sockets

DIN rail sockets code are **ZPY8A** and **ZPY08C** details and specifications on pages 63 and 66 of industrial relays catalogue.
 PCB sockets code is **ZY08** details and specifications on page 67 of industrial relays catalogue.