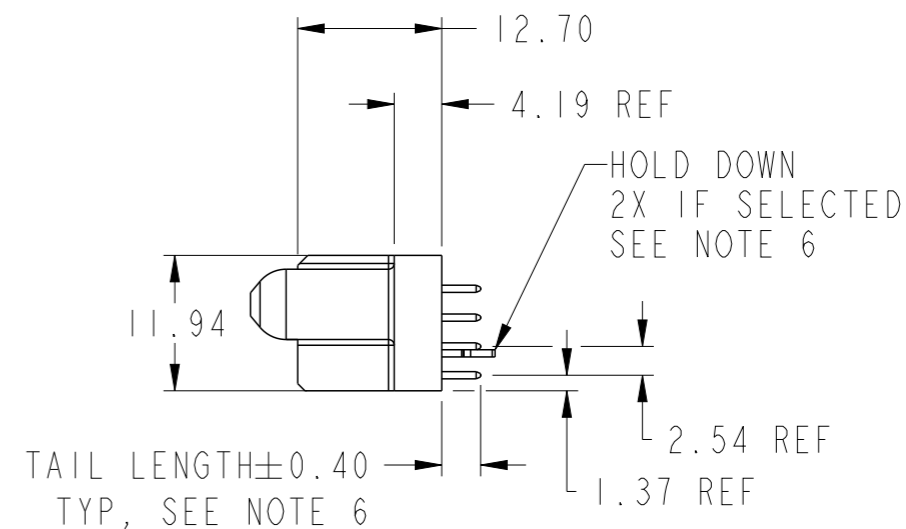
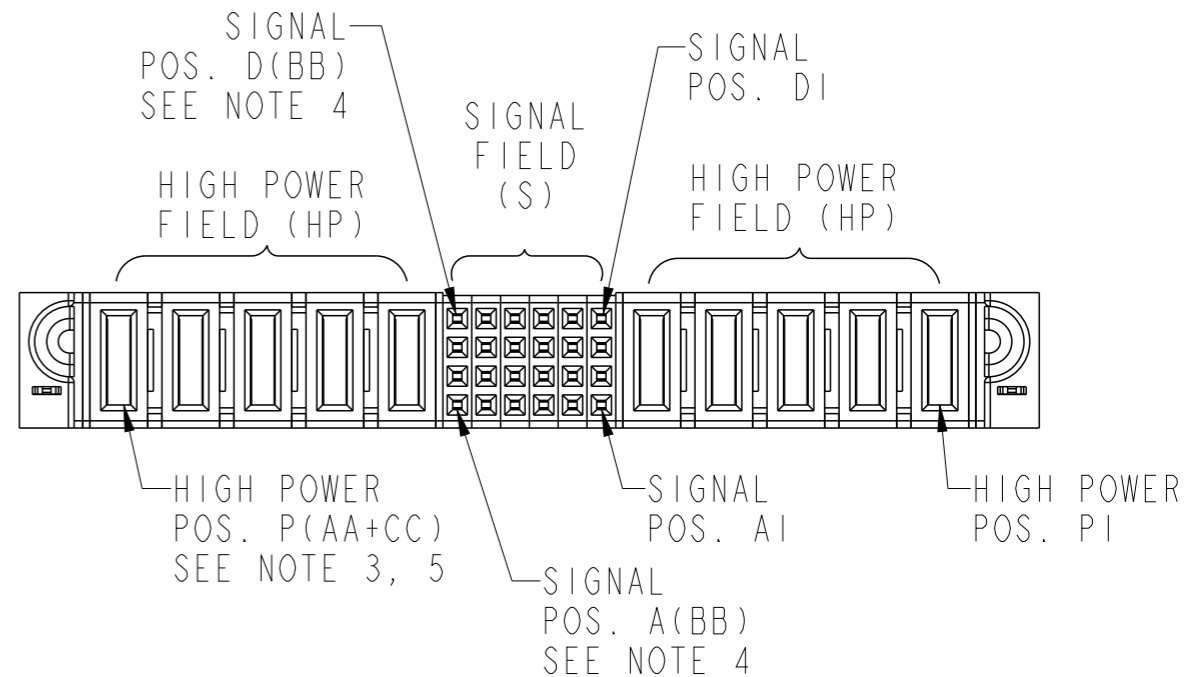
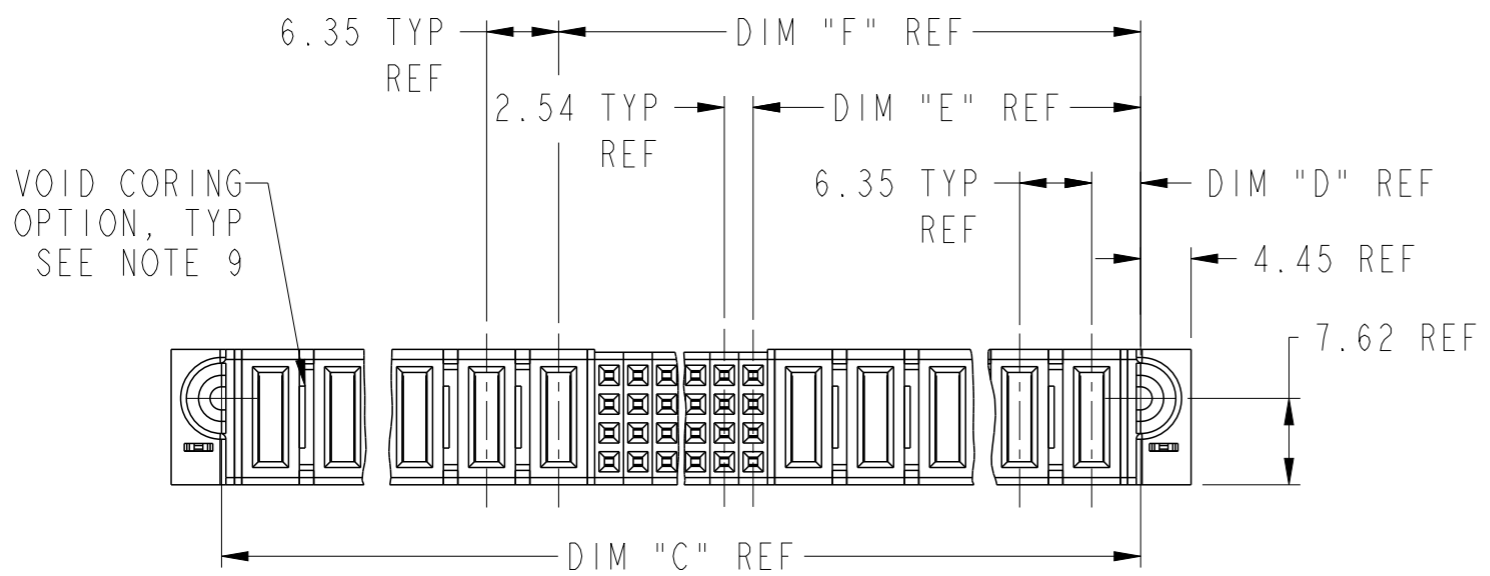
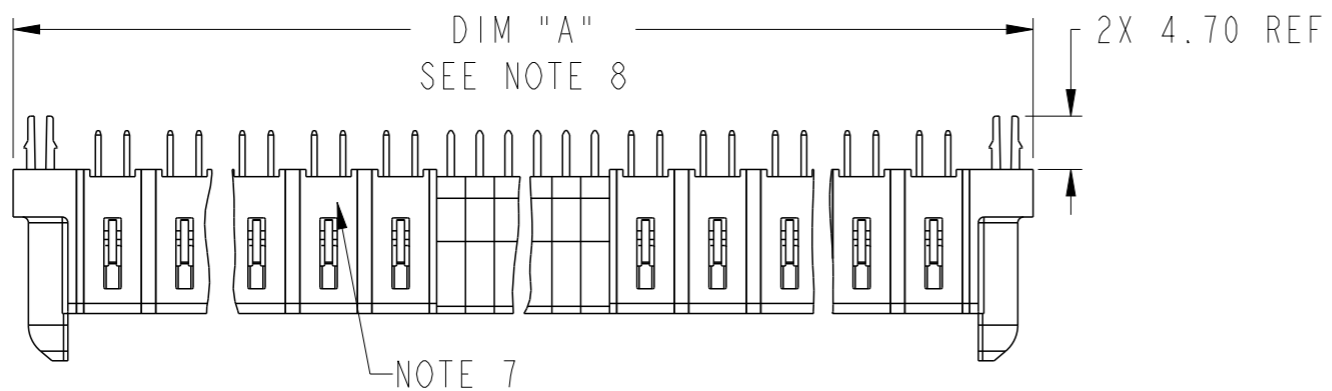
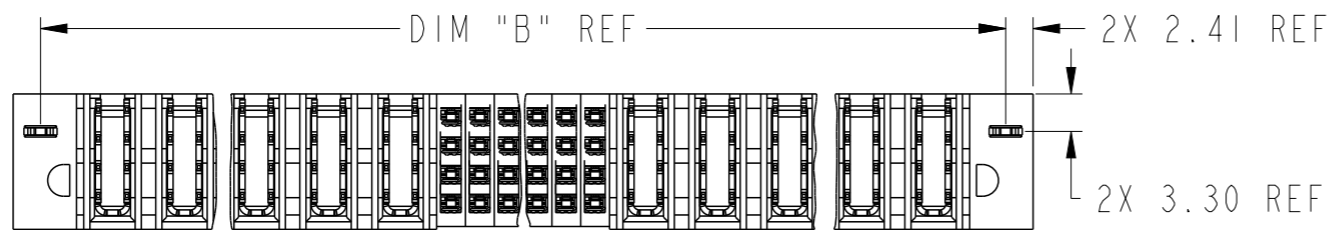


PRODUCT NUMBER
10122539-AABBCCDLF
NOTE 1

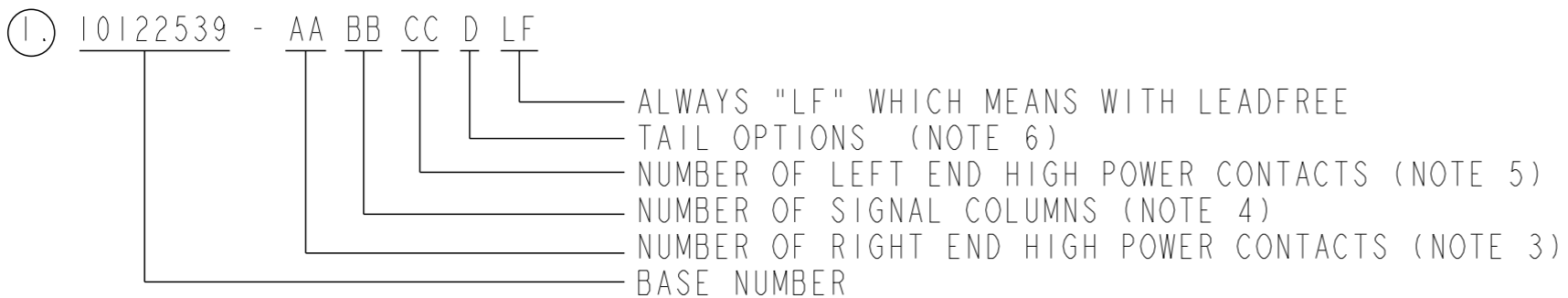


spec ref	dr	Peng-Bing Fu	2012/09/13	projection	MM	size	A3	scale	3:2
tolerance std	eng	Helen Zhang	2013/05/21			ecn no		-	
ASME Y14.5	chr	Tian-Xu Huang	2013/05/21			rel level		Released	
surface	linear	0.X	±0.50		product family PowerBlade+	dwg no 10122539	rev A	TOLERANCES UNLESS OTHERWISE SPECIFIED	
		0.XX	±0.25					www.fci.com	
ASME Y14.5	angular	0°	±2°	cat. no.	Product - Customer Drw	sheet 1 of 3			

PRODUCT NUMBER
10122539-AABBCCDLF
NOTE 1

ITEM	CONFIGURATIONS	DIM	LENGTH FORMULAS (SEE NOTE 8)
1	HP + S + HP	DIM "A"	6.35 x AA + 2.54 x BB + 6.35 x CC + 11.18 (NOTE 8)
2	HP + S	DIM "B"	DIM "A" - 4.82
3	S + HP	DIM "C"	DIM "A" - 8.89
4	S	DIM "D"	4.32(EXCLUDE ITEM 3 & 4)
5	HP	DIM "E"	6.35 x AA + 2.41(EXCLUDE ITEM 5)
		DIM "F"	6.35 x AA + 2.54 x BB + 4.32(EXCLUDE ITEM 2 & 4 & 5)
		DIM "G"	DIM "A" + 0.76
		DIM "H"	5.08(EXCLUDE ITEM 3 & 4)
		DIM "J"	6.35 x AA + 4.45(EXCLUDE ITEM 5)
		DIM "K"	6.35 x AA + 2.54 x BB + 5.08(EXCLUDE ITEM 2 & 4 & 5)

CONNECTOR NOTES:



2. MATERIAL:
-HOUSING - GLASS FILLED WITH HIGH TEMP THERMOPLASTIC, UL94V-0.
-SIGNAL CONTACT - COPPER ALLOY.
-POWER CONTACT - HIGH CONDUCTIVITY COPPER ALLOY.

③ RIGHT END HIGH POWER CONTACTS, 00 TO 28 AVAILABLE.
MAXIMUM OF 28 HIGH POWER CONTACTS PER CONNECTOR.

④ SIGNAL CONTACTS, 00 TO 37 COLUMNS AVAILABLE.

⑤ LEFT END HIGH POWER CONTACTS, 00 TO 28 AVAILABLE.
MAXIMUM OF 28 HIGH POWER CONTACTS PER CONNECTOR.

⑥ TAIL OPTIONS:
1: 3.43 SOLDER TO BOARD WITH HOLD DOWN
2: 3.43 SOLDER TO BOARD WITHOUT HOLD DOWN
3: 3.43 PRESS FIT TO BOARD WITH HOLD DOWN
4: 3.43 PRESS FIT TO BOARD WITHOUT HOLD DOWN

⑦ "FCI", PART NUMBER AND DATE CODE TO BE MARKED ON THIS SURFACE. THE MARK CAN BE OMITTED IF THERE IS NOT ENOUGH SPACE ON THIS SURFACE.

⑧ THE MAXIMUM OVERALL LENGTH (DIM A) OF A PART IS 203MM.

⑨ THE VOID CORING IN BETWEEN POWER MODULES, SIGNAL MODULES AND END MODULES ARE OPTIONAL AND THE SHAPE MAY BE DIFFERENT FOR OPTIMIZE THE MOLDING PROCESS. THE VOID CORING WILL NOT EFFECT TO PRODUCT FUNCTION.

10. PLATING SPECIFICATION REFER TO FCI 10116351.
PRODUCT SPECIFICATION REFER TO FCI GS-12-658.
APPLICATION SPECIFICATION REFER TO FCI GS-20-141.
PRODUCT PACKAGED IN TRAYS, REFER TO FCI GS-14-1502.

PCB NOTES:

11. ALL DIMENSIONS ARE BASIC UNLESS OTHERWISE SPECIFIED.

⑫ ALL HOLE DIAMETERS ARE FINISHED HOLE SIZES.

⑬ 1.15±0.025MM DRILLED HOLE PLATED WITH 0.00762MM MIN Sn OVER 0.0254-0.0762MM Cu PLATING TO ACHIEVE A 1.02±0.07MM HOLE.

⑭ DENOTES CONNECTOR KEEP OUT ZONE.

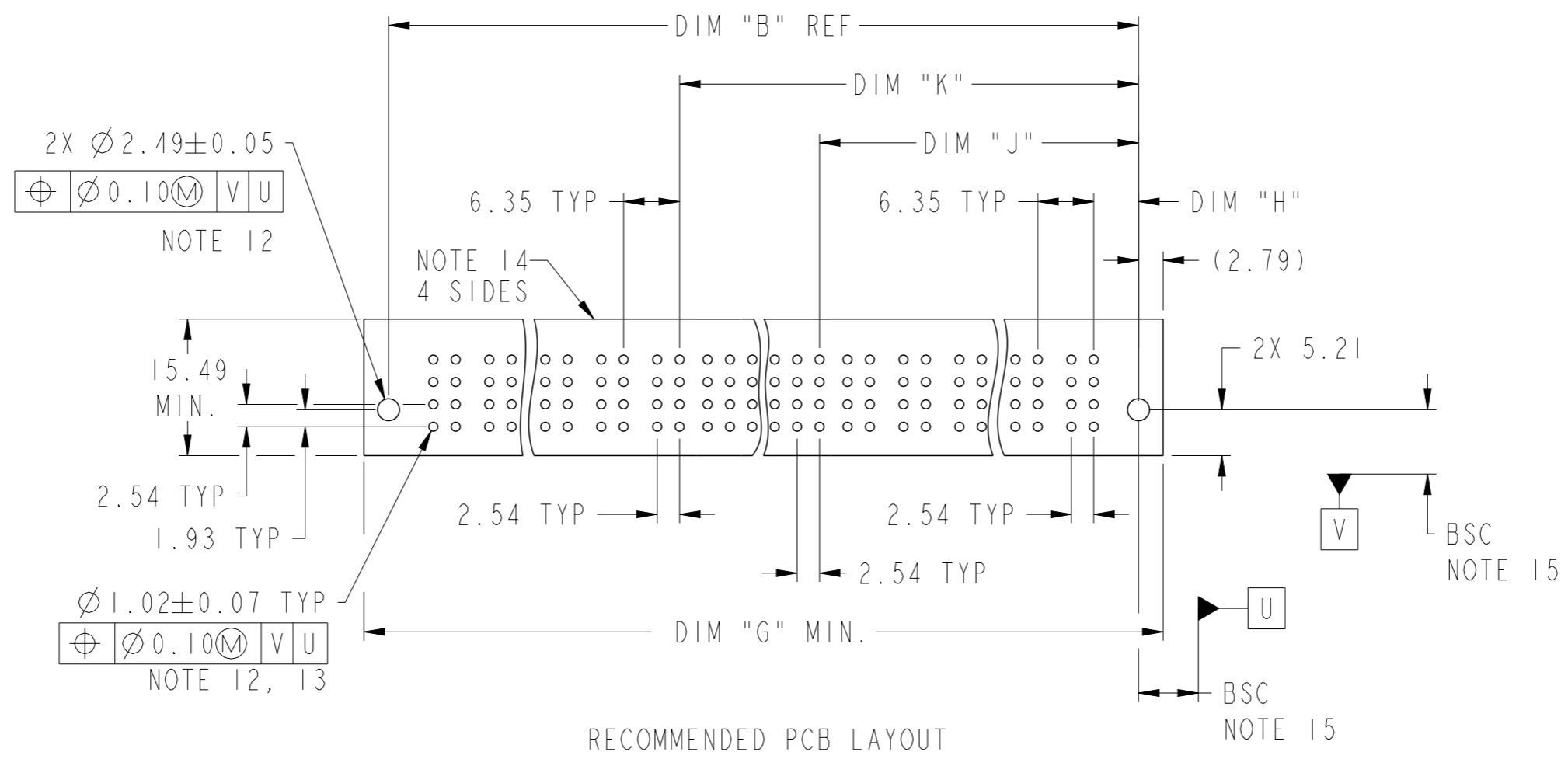
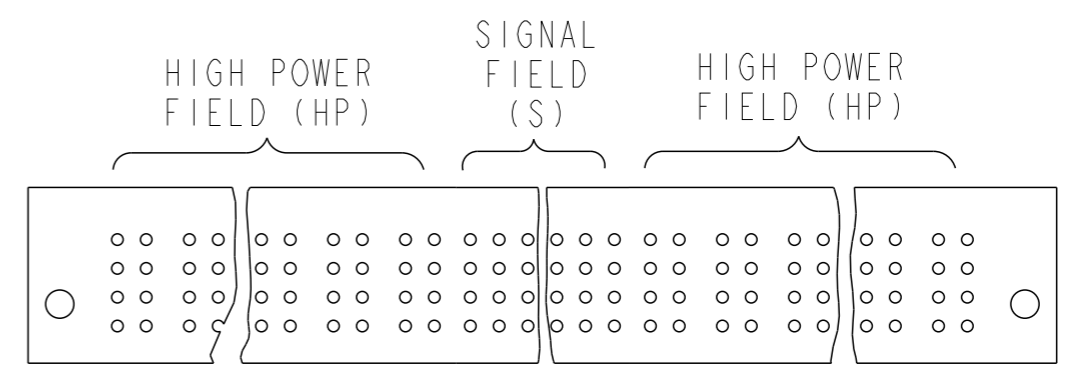
⑮ DATUM AND BASIC DIMENSIONS WERE ESTABLISHED BY CUSTOMER.



Copyright FCI.

dr	Peng-Bing Fu	2012/09/13		MM	size	A3	scale	1:1
eng	Helen Zhang	2013/05/21			ecn no	-		
chr	Tian-Xu Huang	2013/05/21			product family	PowerBlade+	rel level	Released
appr	Pei-Ming Zheng	2013/05/21				POWER / SIGNAL / POWER	dwg no	10122539
www.fci.com		cat. no.	Product - Customer Drw		sheet 2 of 3			

PRODUCT NUMBER
10122539-AABBCCDLF
NOTE 1



dr	Peng-Bing Fu	2012/09/13	projection	MM	size	A3	scale	3:2
eng	Helen Zhang	2013/05/21			ecn no		-	
chr	Tian-Xu Huang	2013/05/21			rel level		Released	
appr	Pei-Ming Zheng	2013/05/21	product family		PowerBlade+			
			POWER / SIGNAL / POWER			dwg no		10122539
www.fci.com			VT RECEPTACLE WITH HALF GUIDE PIN			rev		A
cat. no.				Product - Customer Drw		sheet 3 of 3		

Copyright FCI.