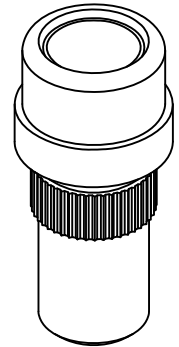
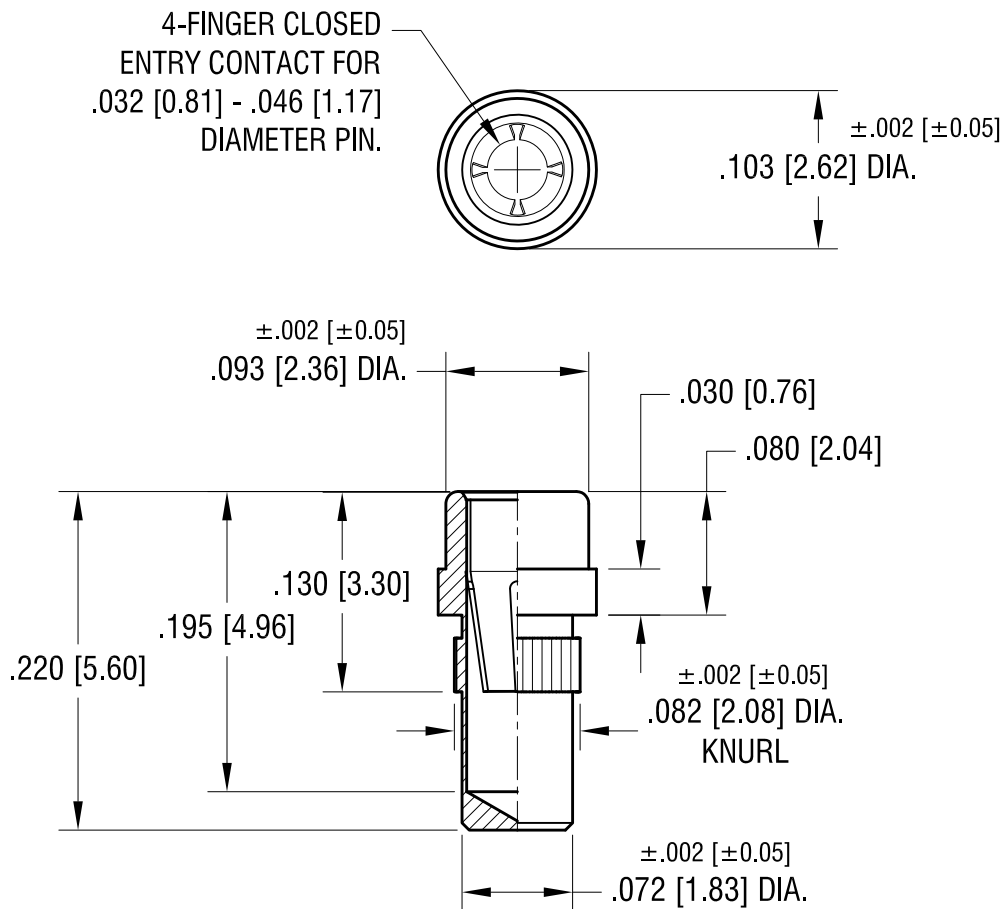


THIS DOCUMENT IS THE PROPERTY OF  
KEYSTONE ELECTRONICS CORP. AND  
SHALL NOT BE REPRODUCED, DISTRIBUTED  
OR USED AS A BASIS FOR MANUFACTURE  
WITHOUT PRIOR WRITTEN PERMISSION  
FROM KEYSTONE ELECTRONICS CORP.



NOTES:

1. BODY: MAT'L - BRASS  
FINISH- TIN / LEAD PLATE
2. SPRING CONTACT: MAT'L - BERYLLIUM COPPER  
FINISH- GOLD PLATE
3. MOUNTING HOLE DIA.: .078 [1.98] MIN.

**KEYSTONE ELECTRONICS CORP.**

www.keyelco.com • ASTORIA, N.Y. 11105-2017 • Tel (718) 956-8900

PART NAME		MICRO JACK, PRESS-FIT	
MATERIAL		AS NOTED	
FINISH	DRN BY	DATE	
AS NOTED	NT	8.06.08	
	APP'D	SCALE	
	LN	8X	
TOLERANCES	INCH [MM]	CODE	DWG NO.
DECIMAL	$\pm .005 [\pm 0.13]$	C/M	
ANGULAR	$\pm 1^\circ$		
UNLESS OTHERWISE SPECIFIED			<b>1473</b>

2.28.12	CHANGE AS PER ECN 12-027	A
DATE	DESCRIPTION	REV.