

5

4

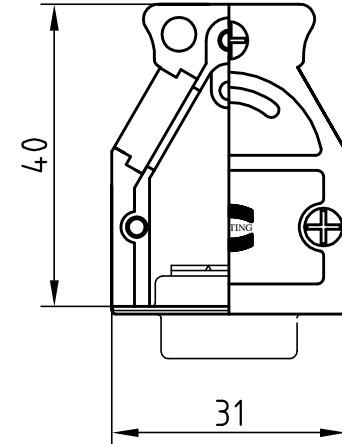
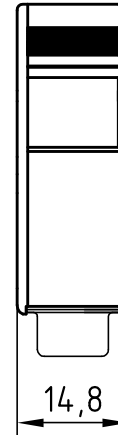
3

2

1



Lieferumfang:

- 1 Gehäuse mit Deckel -
Zinkdruckguss
- 2 STVB-Befestigungsschrauben
- 1 Blindstopfe
- 3 Deckelschrauben M2,5x6,5
- 1 Erdungsschraube M2,5x4



Hood assembly consists of:

- 1 Metal hood with cover -
diecast zinc
- 2 Connector locking screws
- 1 Blind plug
- 3 Cover screws M2,5x6,5
- 1 Screw M2,5x4 for grounding post

 All Dimensions in mm Original Size DIN A 4			Techn. Character.			Nicht tolerierte Maße/ <i>Free size tolerances</i>			
				Dat.	Name	Maßstab/ Scale 1:1	DIN_ISO_2768_M		
			Detail.	04_08,03	STRAUCH		INDUCOM_FULL_METALL_HOOD_FOR_D-SUB-9 CONNECTORS_WITH_ANGLED_CABLE_ENTRY		
			Insp.						
			Stand.						
32472	10,01,05	STRAUCH	HARTING Electronics GmbH & Co. KG				TB 61_03_001_0022		Blatt/ page
Mod.	Dat.	Name	D-32339 ESPELKAMP				Sub.	Sub	1 / 1