

PART NAME

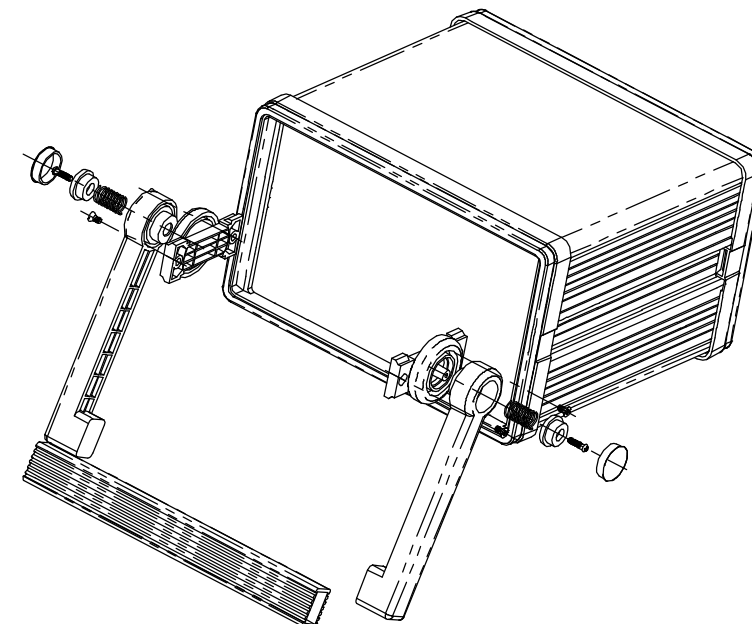
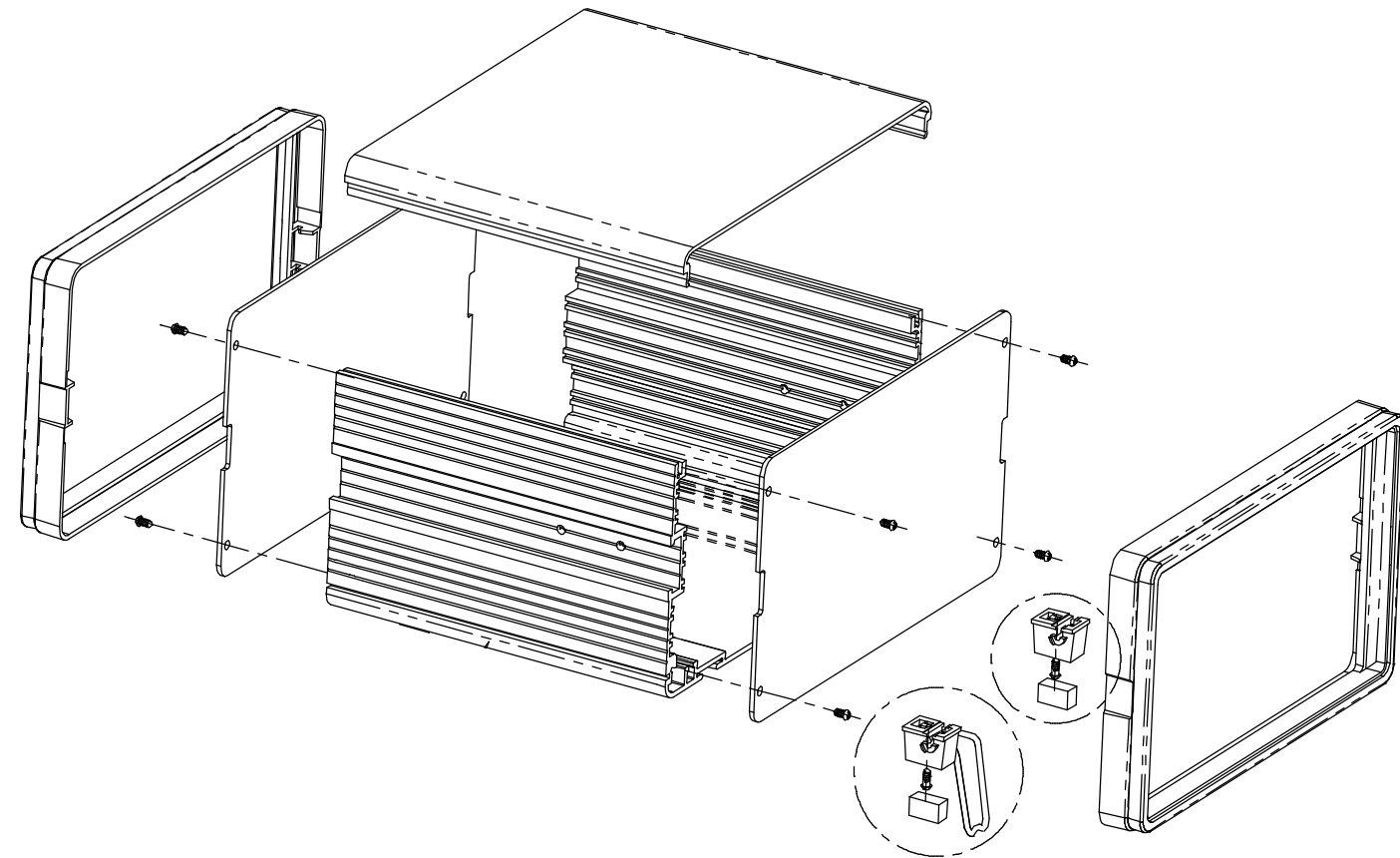
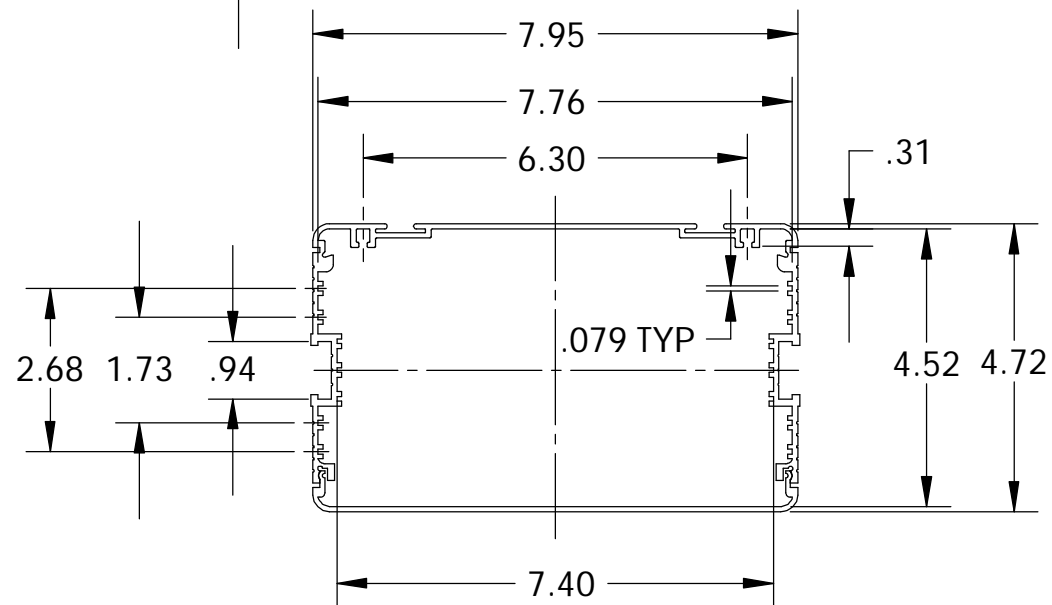
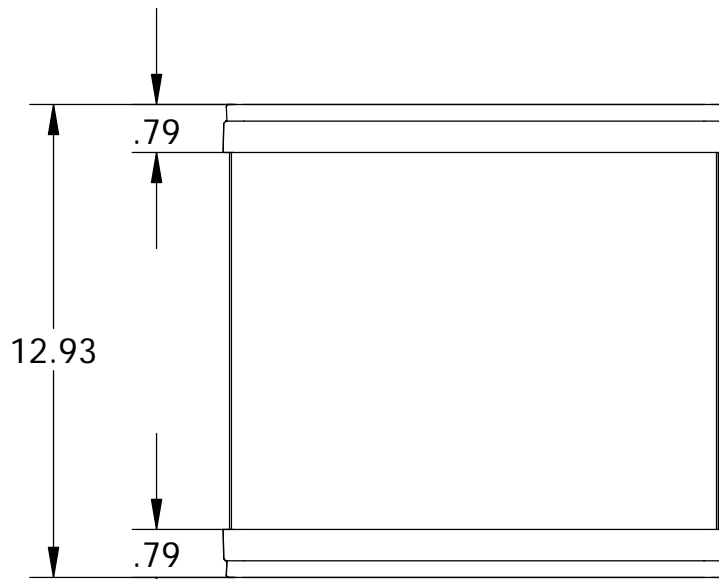
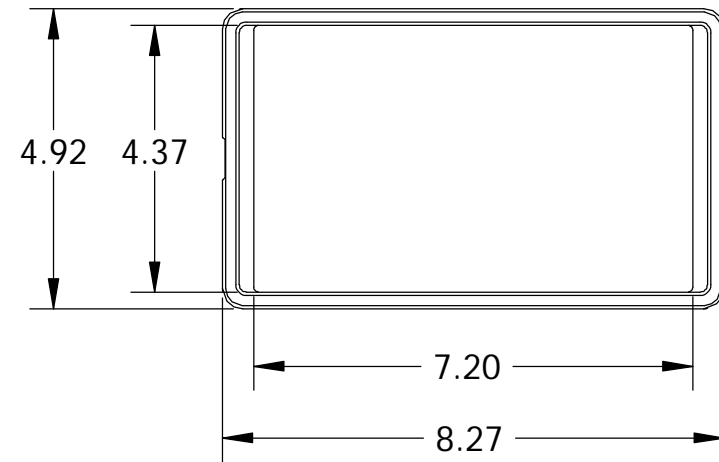
# ALUMINUM INSTRUMENT CASE

PART No.

IA-6162

REVISION DATE

-



MATERIAL AND FINISH:  
 BODY: EARTH TONE POWDER COATED ALUMINUM EXTRUSION  
 BEZELS: LIGHT BROWN PLASTIC  
 PANELS: NATURAL ALUMINUM  
 HANDLE: LIGHT GRAY PLASTIC/ANODIZED ALUMINUM EXTRUSION

DIMENSIONS ARE IN INCHES