

MATERIALS AND FINISHES:

J CONTACT BeCu  
PLATED GOLD

INSULATOR TEFLON

I PART NO: 73366-0060/73366-0062/73366-0063/73366-0064

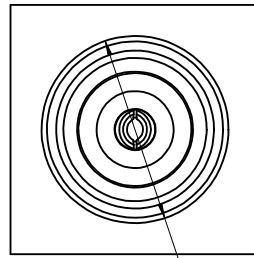
H BODY BRASS  
PLATED NICKEL

PART NO: 73366-0061/73366-0065/73366-0066

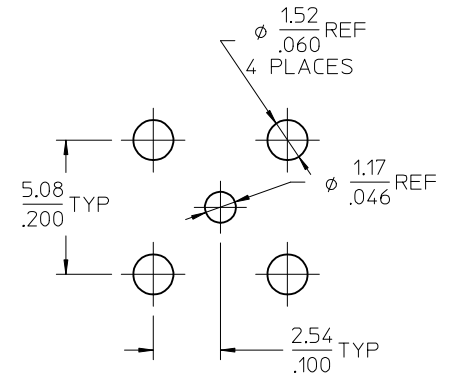
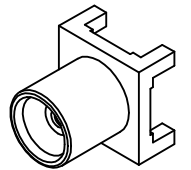
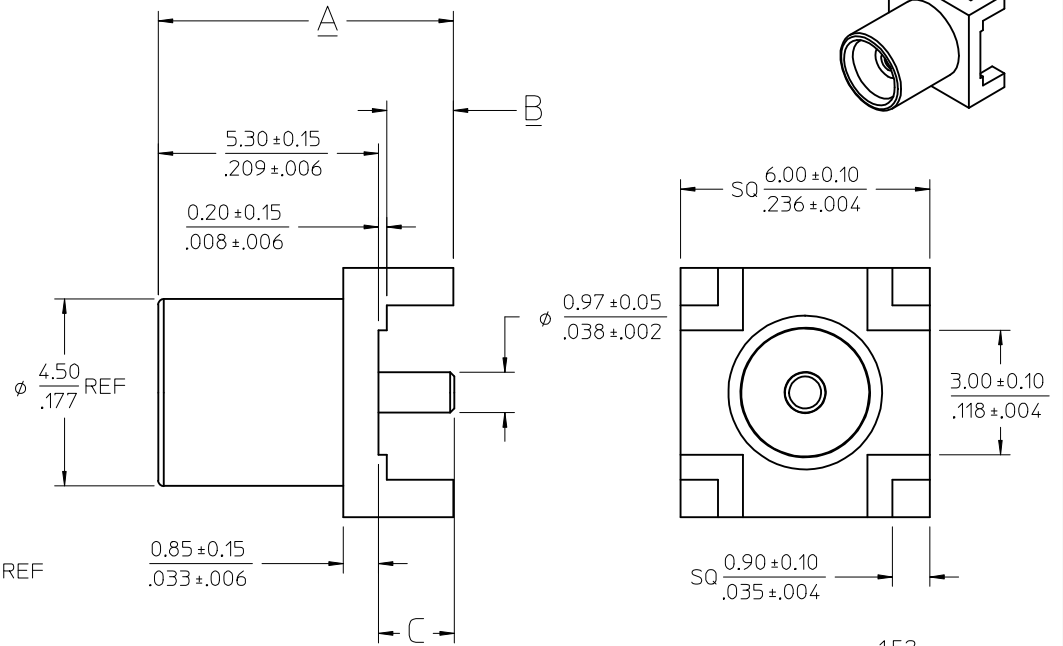
BODY BRASS  
PLATED GOLD

G PART NO 73366-0062/73366-0064/7336-0066  
PACKAGING WITH TAPE & REEL  
SEE SHEETS 2 & 3 FOR PACKAGING  
INSTRUCTIONS

F SEE SD-73366-619 FOR CONTINUATION OF TABULATION



$\phi$  4.50  
.177 REF



SUGGESTED PCB LAYOUT

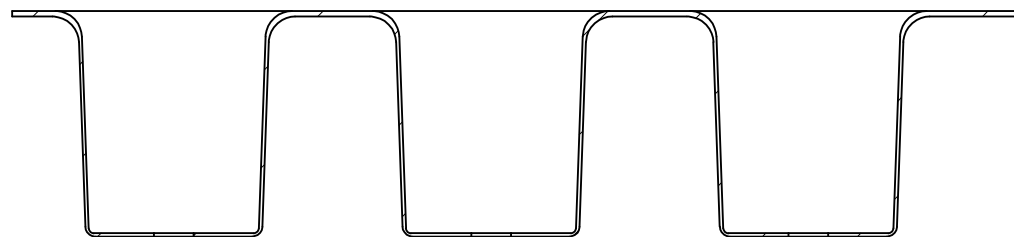
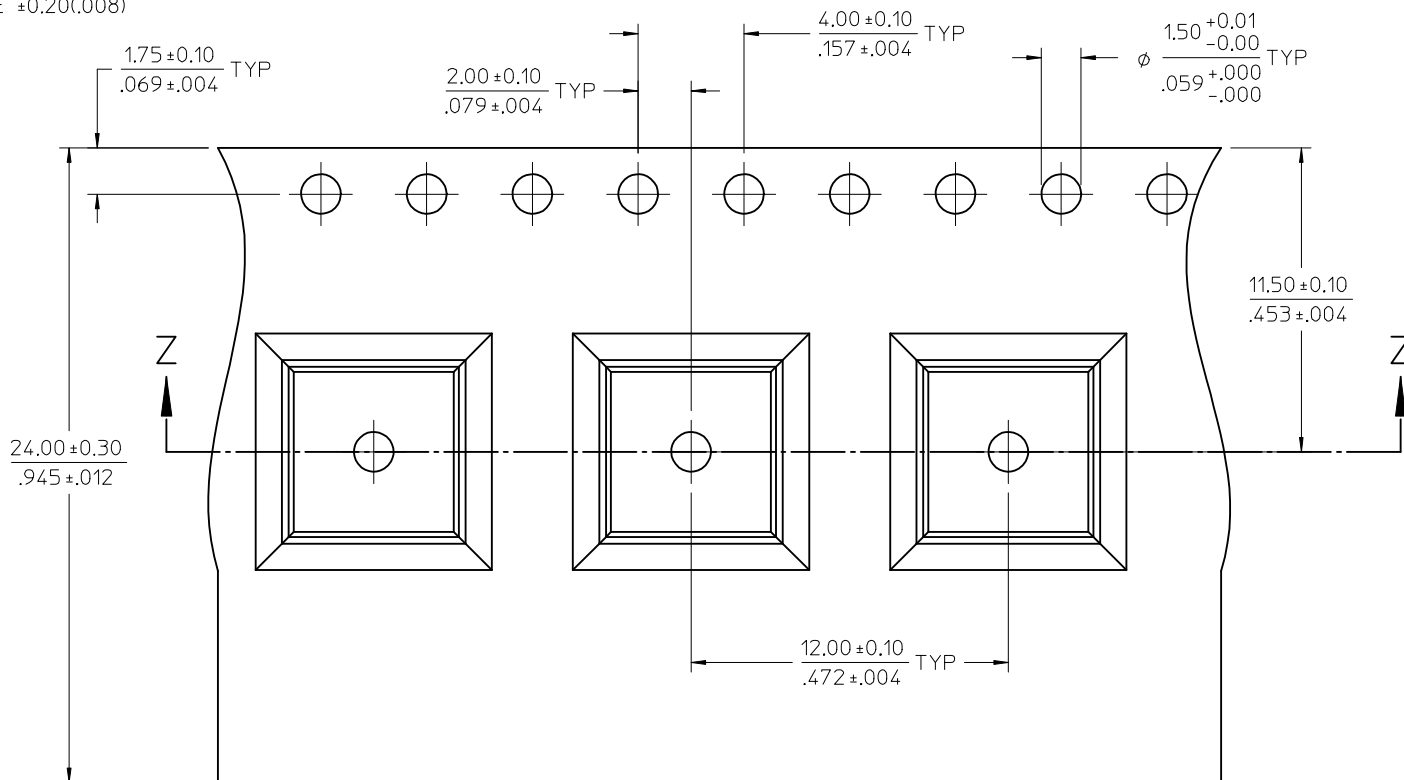
E	73366-0069	.280±.006	7.10±0.15	.062±.006	1.57±0.15	.073±.006	1.86±0.15	1 PC 73366-0061 PER BAG
	73366-0068	.280±.006	7.10±0.15	.062±.006	1.57±0.15	.073±.006	1.86±0.15	73366-0060.SMALL TRAY
	73366-0067	.280±.006	7.10±0.15	.062±.006	1.57±0.15	.073±.006	1.86±0.15	1 PC 73366-0060 PER BAG
	73366-0066	.236±.006	5.99±0.15	.019±.006	0.5±0.15	.031±.006	0.8±0.15	TAPE & REEL
	73366-0065	.236±.006	5.99±0.15	.019±.006	0.5±0.15	.031±.006	0.8±0.15	TRAY
D	73366-0064	.236±.006	5.99±0.15	.019±.006	0.5±0.15	.031±.006	0.8±0.15	TAPE & REEL
	73366-0063	.236±.006	5.99±0.15	.019±.006	0.5±0.15	.031±.006	0.8±0.15	TRAY
	73366-0062	.280±.006	7.10±0.15	.062±.006	1.57±0.15	.073±.006	1.86±0.15	TAPE & REEL
	73366-0061	.280±.006	7.10±0.15	.062±.006	1.57±0.15	.073±.006	1.86±0.15	TRAY
C	73366-0060	.280±.006	7.10±0.15	.062±.006	1.57±0.15	.073±.006	1.86±0.15	TRAY

	IN	MM	IN	MM	IN	MM	PACKAGE
PART NO.	A		B		C		

PS-73598-0132	ELECTRO/MECH PERFORM.
SPECIFICATION	DESCRIPTION

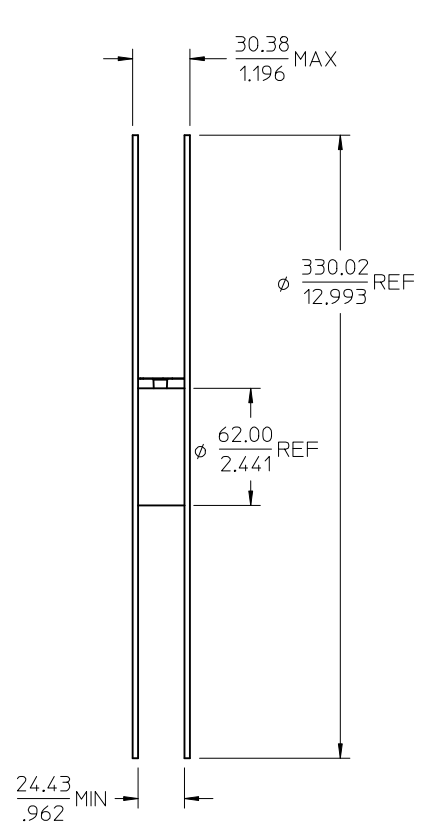
B	<p>DRAWING ERROR 600 WAS 900 PER RF14-E097</p> <p>EC NO: URF2014-0496 DRWN:ELIN 2014/03/04 CHKD: APPR:MIHANG 2014/03/11</p> <p>DESCRIPTION</p>	<p>QUALITY SYMBOLS</p> <p>▽=0</p> <p>▽=0</p>	<p>GENERAL TOLERANCES (UNLESS SPECIFIED)</p> <table border="1"> <thead> <tr> <th></th> <th>mm</th> <th>INCH</th> </tr> </thead> <tbody> <tr> <td>4 PLACES</td> <td>± ---</td> <td>± ---</td> </tr> <tr> <td>3 PLACES</td> <td>± ---</td> <td>± ---</td> </tr> <tr> <td>2 PLACES</td> <td>± ---</td> <td>± ---</td> </tr> <tr> <td>1 PLACE</td> <td>± ---</td> <td>± ---</td> </tr> </tbody> </table> <p>ANGULAR ± 2 °</p>		mm	INCH	4 PLACES	± ---	± ---	3 PLACES	± ---	± ---	2 PLACES	± ---	± ---	1 PLACE	± ---	± ---	<p>DIMENSION STYLE</p> <p>MM/IN</p> <p>DRAWN BY: LYNN DATE: 2001/04/03</p> <p>CHECKED BY: JOHNSON DATE: 2001/04/03</p> <p>APPROVED BY: MISEN DATE: 2001/04/03</p>	<p>SCALE</p> <p>DESIGN UNITS</p> <p>METRIC</p> <p>THIRD ANGLE PROJECTION</p>	<p>TITLE</p> <p>MCX JACK VERT PCB TH 50 OHMS MCX-J/PCB EWR-3263</p>	<p>MATERIAL NO.</p> <p>SEE TABLE</p>	<p>DOCUMENT NO.</p> <p>SD-73366-006</p>	<p>SHEET NO.</p> <p>1 OF 3</p>
					mm	INCH																		
				4 PLACES	± ---	± ---																		
3 PLACES	± ---	± ---																						
2 PLACES	± ---	± ---																						
1 PLACE	± ---	± ---																						
A	<p>DRAFT WHERE APPLICABLE MUST REMAIN WITHIN DIMENSIONS</p>																							
	<p>THIS DRAWING CONTAINS INFORMATION THAT IS PROPRIETARY TO MOLEX INCORPORATED AND SHOULD NOT BE USED WITHOUT WRITTEN PERMISSION</p>																							

NOTE:  
 1. 10 PITCHES CUMULATIVE TOLERANCE ±0.20(.008)

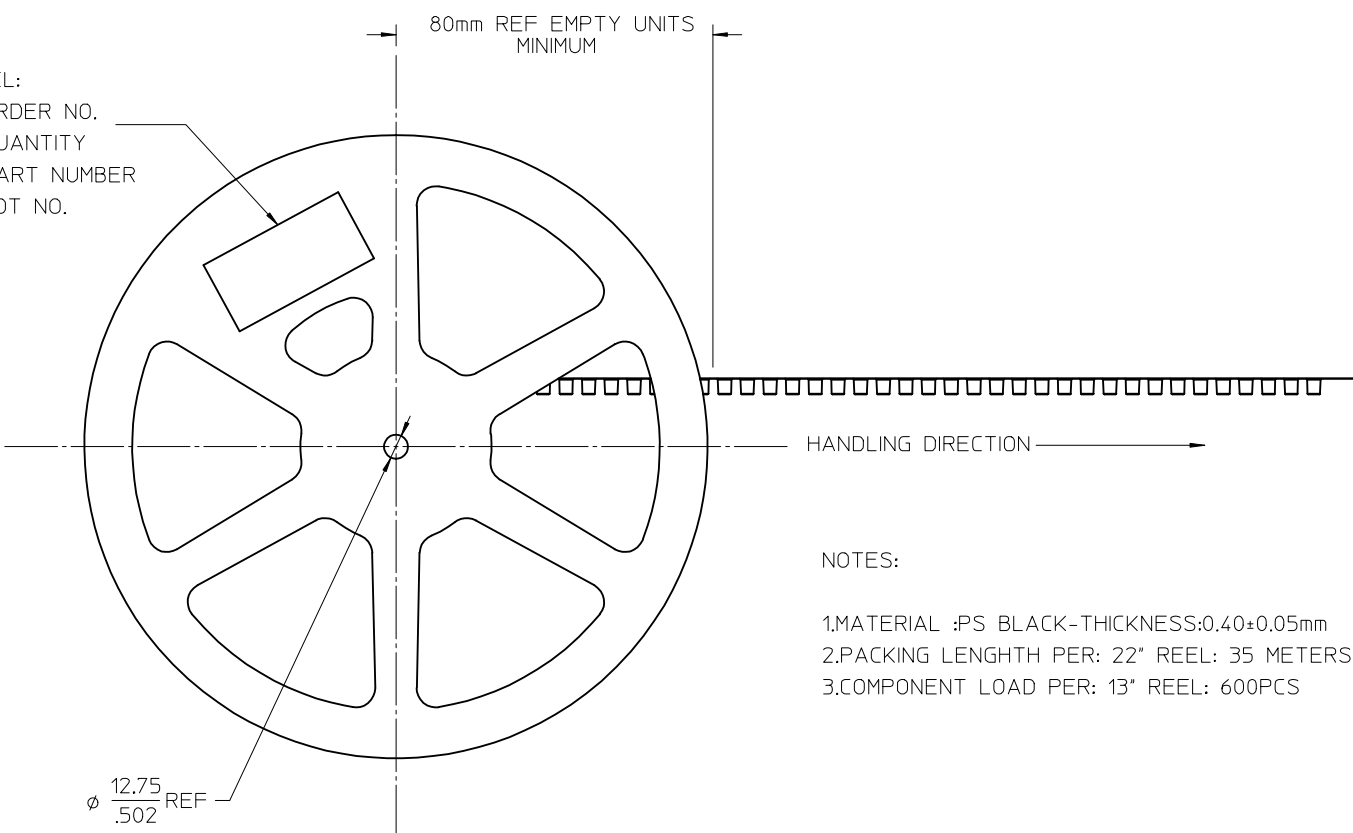


SECTION Z-Z

CHG: SEE SHEET 1 EC NO: URF2014-0496 DRW: NELIN 2014/03/04 CHKD: APPR: MHIANG 2014/03/11	QUALITY SYMBOLS ▽=0 ▽=0	GENERAL TOLERANCES (UNLESS SPECIFIED)		DIMENSION STYLE <b>MM/IN</b>	SCALE <b>METRIC</b>	DESIGN UNITS <b>METRIC</b>	THIRD ANGLE PROJECTION		
		4 PLACES ± --- ± --- 3 PLACES ± --- ± --- 2 PLACES ± --- ± --- 1 PLACE ± --- ± ---	mm INCH	DRAWN BY LYNN	DATE 2001/04/03	TITLE <b>MCX JACK VERT PCB TH          50 OHMS          MCX-J/PCB EWR-3263</b>			
		ANGULAR ± 2 °		CHECKED BY JOHNSON	DATE 2001/04/03	APPROVED BY MISEN	DATE 2001/04/03	MATERIAL NO. <b>SEE SHEET 1</b>	DOCUMENT NO. <b>SD-73366-006</b>
		DRAFT WHERE APPLICABLE MUST REMAIN WITHIN DIMENSIONS		SHEET NO. <b>2 OF 3</b>		THIS DRAWING CONTAINS INFORMATION THAT IS PROPRIETARY TO MOLEX INCORPORATED AND SHOULD NOT BE USED WITHOUT WRITTEN PERMISSION			



LABEL:  
- ORDER NO.  
- QUANTITY  
- PART NUMBER  
- LOT NO.



NOTES:  
1.MATERIAL :PS BLACK-THICKNESS:0.40±0.05mm  
2.PACKING LENGTH PER: 22" REEL: 35 METERS  
3.COMPONENT LOAD PER: 13" REEL: 600PCS

CHG: SEE SHEET 1 EC NO: URF2014-0496 DRWNLIN 2014/03/04 CHKD: APPR:MHUANG 2014/03/11	QUALITY SYMBOLS ▽=0 ▽=0	GENERAL TOLERANCES (UNLESS SPECIFIED)		DIMENSION STYLE MM/IN	SCALE	DESIGN UNITS METRIC	THIRD ANGLE PROJECTION	
				DRAWN BY LYNN	DATE 2001/04/03	TITLE MCX JACK VERT PCB TH 50 OHMS MCX-J/PCB EWR-3263		
				CHECKED BY JOHNSON	DATE 2001/04/03	MOLEX INCORPORATED		
				APPROVED BY MISEN	DATE 2001/04/03	MATERIAL NO. SEE SHEET 1	DOCUMENT NO. SD-73366-006	SHEET NO. 3 OF 3
DRAFT WHERE APPLICABLE MUST REMAIN WITHIN DIMENSIONS		ANGULAR ± 2 °		THIS DRAWING CONTAINS INFORMATION THAT IS PROPRIETARY TO MOLEX INCORPORATED AND SHOULD NOT BE USED WITHOUT WRITTEN PERMISSION				

MATERIALS AND FINISHES:

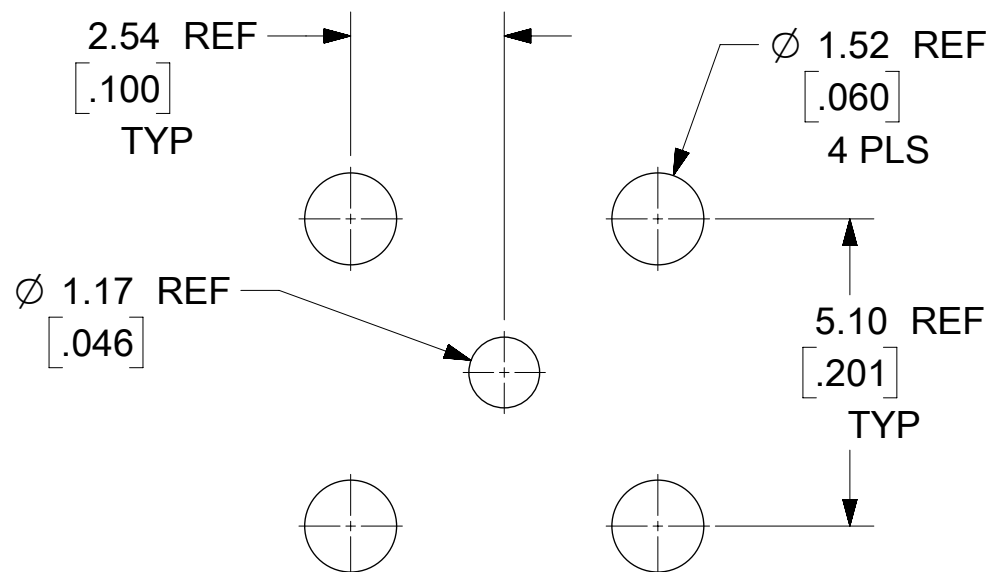
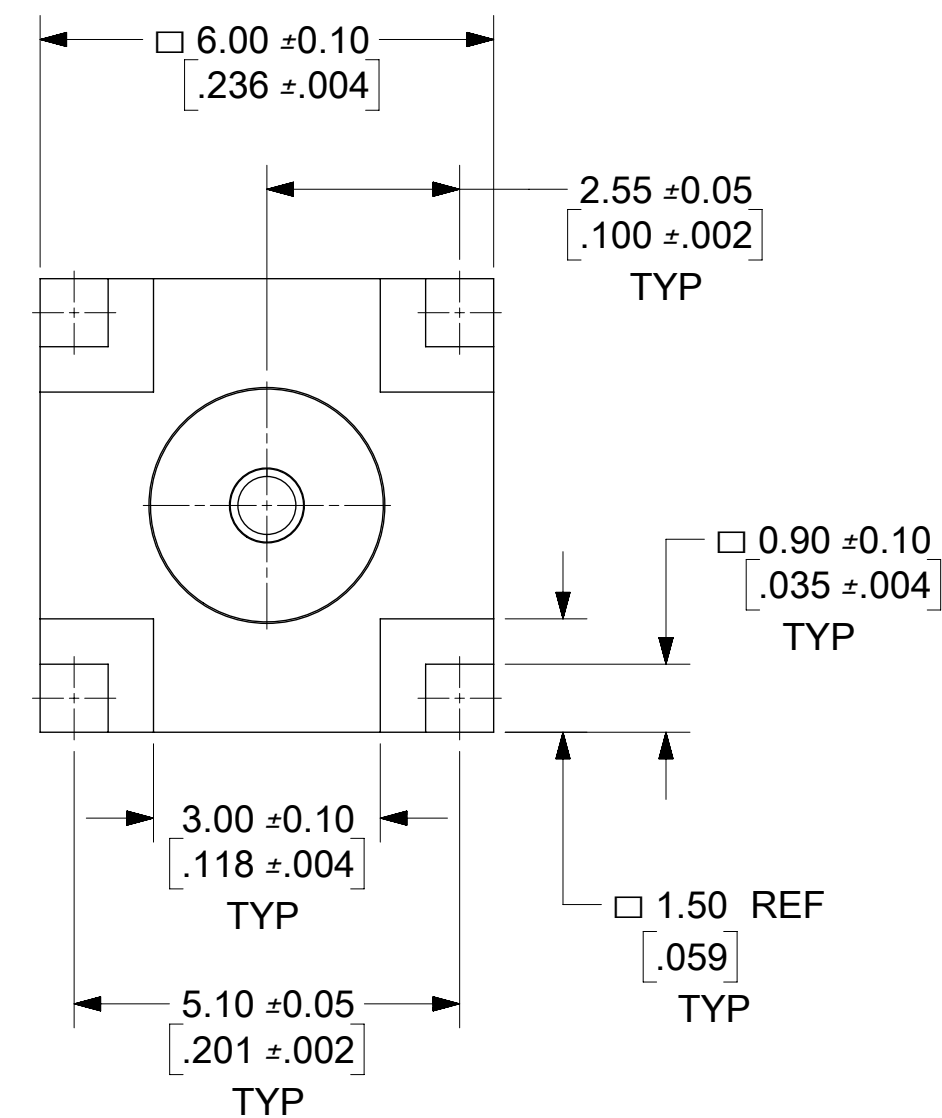
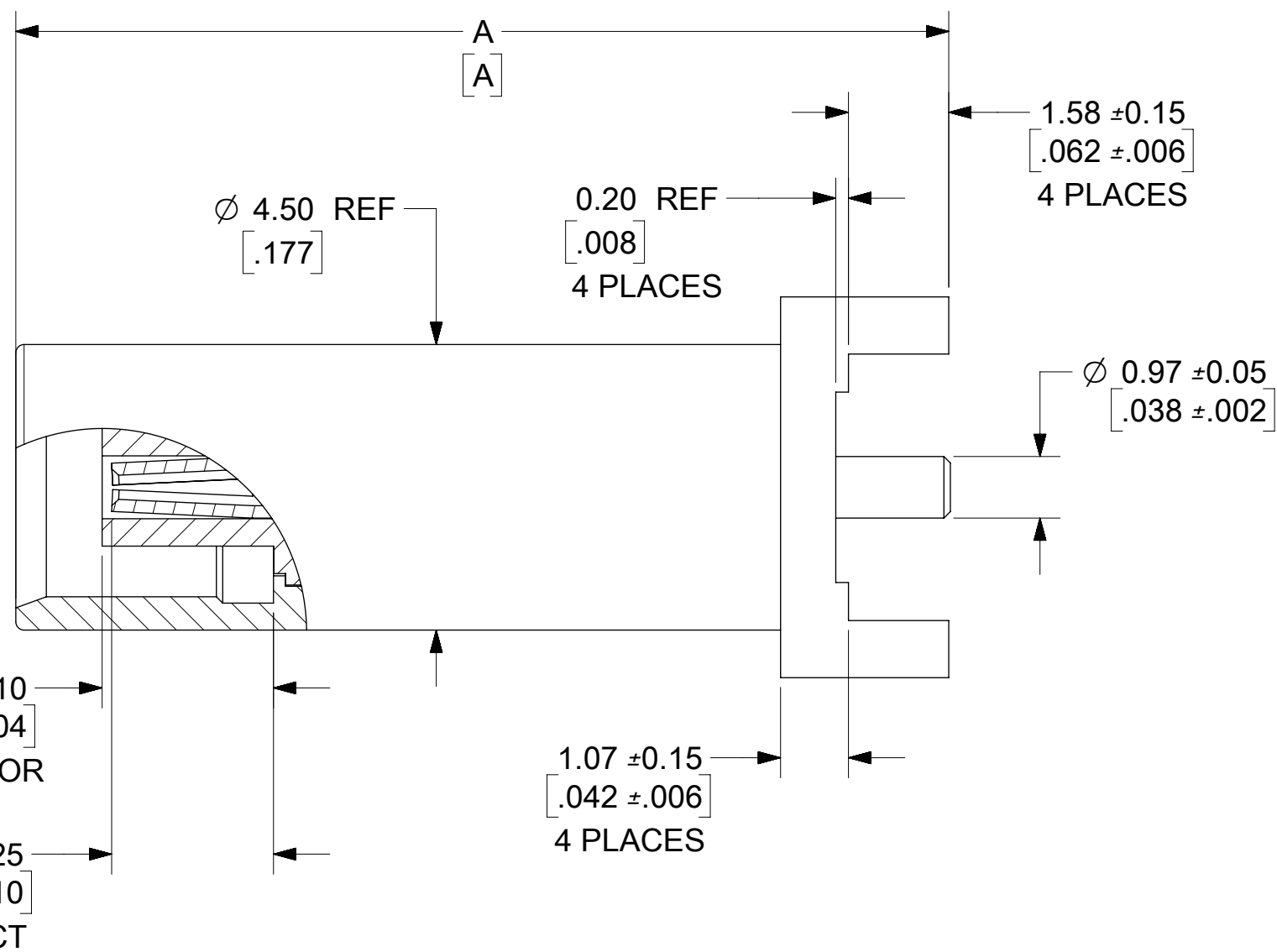
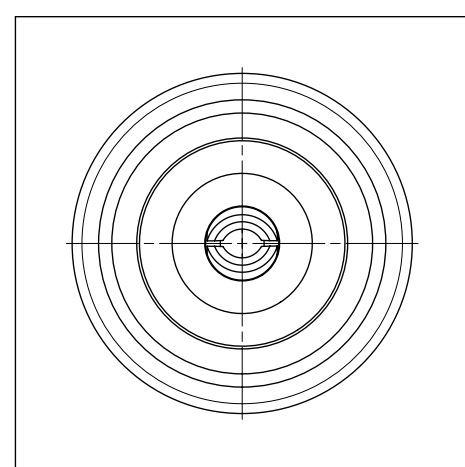
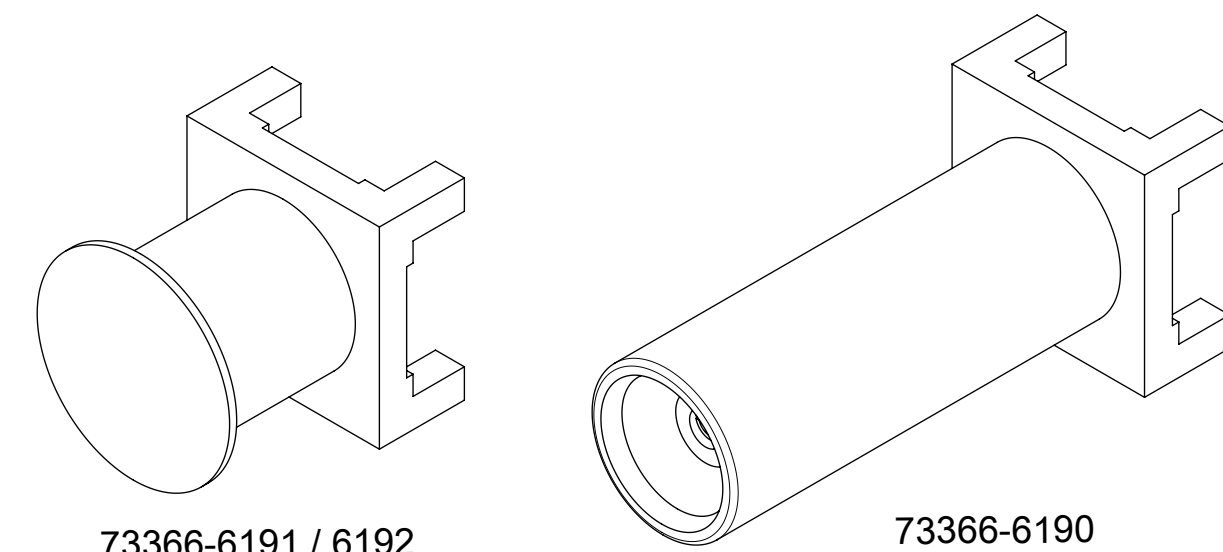
BODY: BRASS  
 PLATED: GOLD (1μ-in MIN)  
 OVER NICKEL (50μ-in MIN)

CONTACT: BERYLLIUM COPPER  
 PLATED: SEE TABLE

INSULATOR: PTFE

KAPTON: POLYIMIDE  
 COLOR: BLACK

NOTE:  
 SEE SD-73366-006 FOR TAPE & REEL DRAWING.



RECOMMENDED HOLE LAYOUT

ORIGINALLY DRAWN  
 BY AZR ON 2009/10/14

73366-6192	7.10	.280	GOLD (1μ-in MIN) OVER NICKEL (50μ-in MIN)	TAPE & REEL WITH KAPTON
73366-6191	7.10	.280	GOLD (30μ-in MIN) OVER NICKEL (50μ-in MIN)	TAPE & REEL WITH KAPTON
73366-6190	14.70	.579	GOLD (10μ-in MIN) OVER NICKEL (100μ-in MIN)	TRAY
PART NO.	MM	IN	PLATING (CONTACT)	PACKAGING
	DIM A (REF)			

QUALITY SYMBOLS ▽ = 0 ▽ = 0 ▽ = 0 ▽ = 0 ▽ = 0 ▽ = 0 ▽ = 0 ▽ = 0 ▽ = 0 ▽ = 0	THIS DRAWING CONTAINS INFORMATION THAT IS PROPRIETARY TO MOLEX ELECTRONIC TECHNOLOGIES, LLC AND SHOULD NOT BE USED WITHOUT WRITTEN PERMISSION				DIMENSION UNITS: MM SCALE:				
	GENERAL TOLERANCES (UNLESS SPECIFIED)		DRWN BY: CWEI02 DATE: 2014/11/24		MCX JACK VERTICAL PCB 50 OHMS TH, MCX-J/PCB, EWR-10630				
	4 PLACES ±     ±		CHK'D BY: APRAKASH01 DATE: 2017/03/10					PRODUCT CUSTOMER DRAWING	
	3 PLACES ±     ± 0.01		APPR BY: AROBERTSON DATE: 2017/03/10		SERIES: 73366 MATERIAL NUMBER: SEE TABLE CUSTOMER:				
	2 PLACES ± 0.25 ±		DRAWING SIZE: C THIRD ANGLE PROJECTION					DOCUMENT NUMBER: SD-73366-619 DOC TYPE: PSD DOC PART: 000 SHEET NUMBER: 1 OF 1	
	1 PLACES ±     ±		ANGULAR TOL = 2.0		DRAFT WHERE APPLICABLE MUST REMAIN WITHIN DIMENSIONS				
	0 PLACES ±     ±		DRAFT WHERE APPLICABLE MUST REMAIN WITHIN DIMENSIONS					EC NO: 109368 DRWN: APRAKASH01 CHKD: APRAKASH01 REV: A2 APPR: AROBERTSON	
	DIMENSION UNITS: MM SCALE:		DIMENSION UNITS: MM SCALE:		MIGRATED AND REVISED 2017/03/02 2017/03/10 2017/03/10				
	DIMENSION UNITS: INCH SCALE:		DIMENSION UNITS: INCH SCALE:					A2	
	DIMENSION UNITS: MM SCALE:		DIMENSION UNITS: MM SCALE:		A2				
DIMENSION UNITS: INCH SCALE:		DIMENSION UNITS: INCH SCALE:		A2					