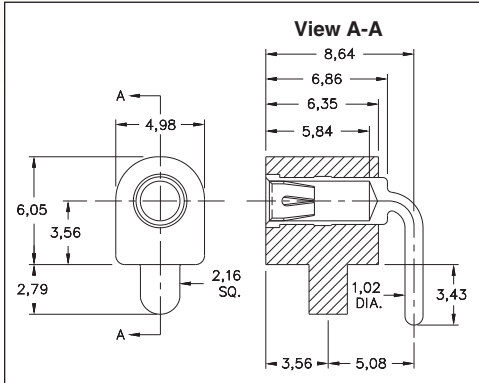


SERIES 395...3XX • RIGHT ANGLE SOCKET • TEST POINT



- Available to accept 3 pin sizes: 1, 1.5, & 2mm
- Uses high temperature PCT polyester insulator
- Standard insulator color is black
- For Electrical, Mechanical and Environmental Data, see page 264 for details



Pin Size	ORDERING INFORMATION						
1.0mm	395-XX-101-34-340000						
1.5mm	395-XX-101-03-380000						
2.0mm	395-XX-101-07-350000						
	<p>RECOMMENDED MOUNTING HOLES</p> <p>Ø2,79±0,08 DRILLED or PLATED THROUGH-HOLE</p> <p>Ø1,14±0,08 PLATED THROUGH-HOLE</p> <p>5,08</p>						
	<div style="border: 1px solid black; border-radius: 50%; padding: 5px; display: inline-block;"> XX=Plating Code See Below </div>			<div style="background-color: #76c73a; color: white; padding: 5px; display: inline-block; transform: rotate(45deg); transform-origin: center;"> RoHS-2 2011/65/EU </div>			
SPECIFY PLATING CODE XX =	13 ◆		93				
Sleeve (Pin)	0,25µm Au		5,08µm Sn/Pb				
Contact (Clip)	0,76µm Au		0,76µm Au				