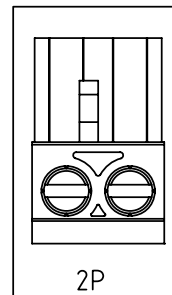
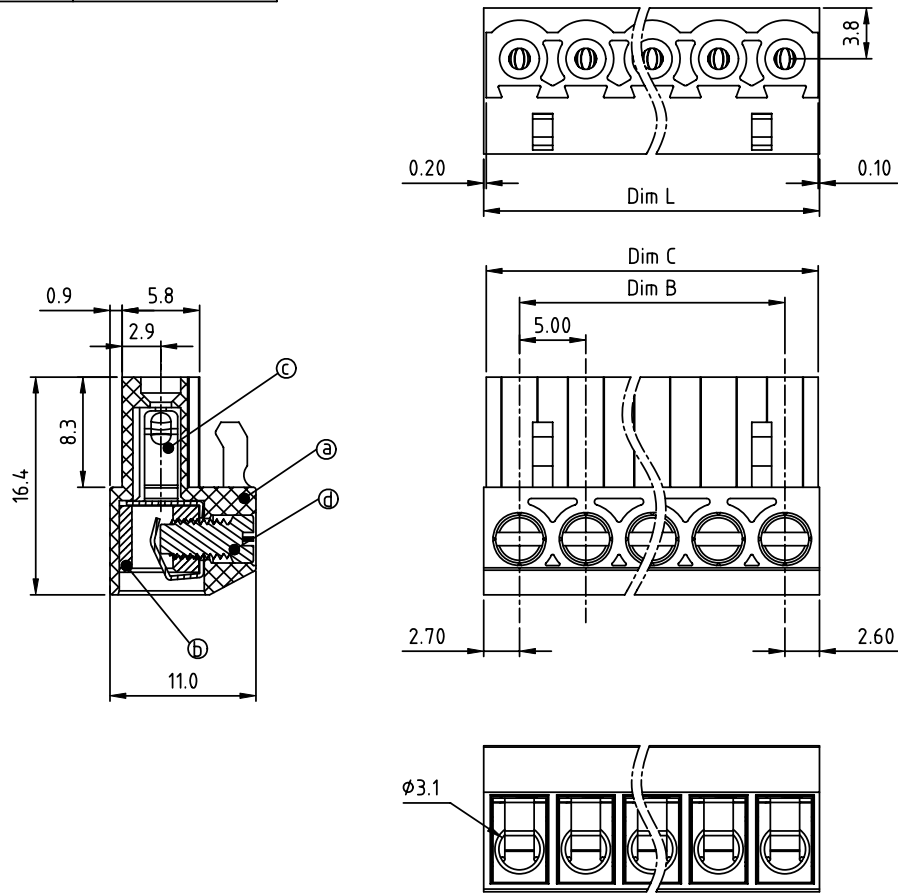


| | |
|----------------|---------|
| PRODUCT NUMBER | PITCH |
| EZxx71x000J0G | 5.00 mm |



- Material:
- Item ① Terminal(housing): Thermoplastic (UL94V-0)
 - Item ② Clamp: Brass(CuZn) Ni plated
 - Item ③ Female contact: PhBz Tin plated
 - Item ④ Terminal Screw: Steel zinc plated.

- Electrical: cULus
- Voltage rating: 300 V
 - Current rating: 15 A
 - Wire range:
 - Solid wire(AWG):12-22
 - Stranded wire(AWG):12-22
 - Torque: 4.3 Lb-In
 - Screw:M3
 - Wire strip length:7-8 mm
 - Withstanding Voltage:1.6KV
 - Operating temperature:-40°C to +115°C
 - Safety Approval:

N=NUMBER OF POLES

| Dim L=N×5.0+0.3 | |
|-----------------|-----------|
| Dim B=(N-1)×5.0 | |
| Dim C=N×5.0 | |
| POLES | Tolerance |
| 2P-6P | ±0.15 |
| 7P-12P | ±0.20 |
| 13P-18P | ±0.25 |
| 19P-24P | ±0.30 |

PART NO.: EZ xx 71 x 0 00J0 G

| | | | |
|--------------|----------|---------------------|--|
| Solid block | 0 | Black (RAL9005) | RoHS compliant (lead<4%) In copper Alloy |
| No. of poles | 2 | Red (RAL3001/D) | |
| 02 | 2 poles | 3 Orange(RAL2011/P) | |
| 03 | 3 poles | 4 Yellow(RAL1018/A) | |
| ... | ... | 5 Green(RAL6018/T) | |
| 24 | 24 poles | 6 Blue (RAL5015/A) | |
| | | 8 Grey(RAL7035/D) | |
| | | 9 White(RAL1102) | |
| | | C Green(RAL6018/U) | |

| | | | | | |
|-------------|----------------|-----------------------|-------------------------|---------------------------------------|----------------------------------|
| mat'l. code | | surface ASME Y14.5 | tolerance ASME Y14.5 | projection | product family TERMINAL BLOCK |
| ltr | ecn no | dr | date | | title |
| | | | | tolerances unless otherwise specified | TERMINAL BLOCK |
| | | | | angles $\frac{\phi}{E}$ | PLUGGABLE PLUG,WITHOUT FLANGE |
| | | | | X±0.5 | scale |
| | | | | X.X±0.3 | MM |
| | | | | X*±1* | X.XX±0.1 |
| dr | EVIN ZHONG | 041814 | | | dwg no |
| enr | EVIN ZHONG | 041814 | | | sheet 1 of 1 |
| chr | HANKE FENG | 041814 | | | size |
| appd | SHI JUN | 041814 | | | A4 |
| sheet index | revision sheet | A | 1 | | type CUSTOMER Drawing |