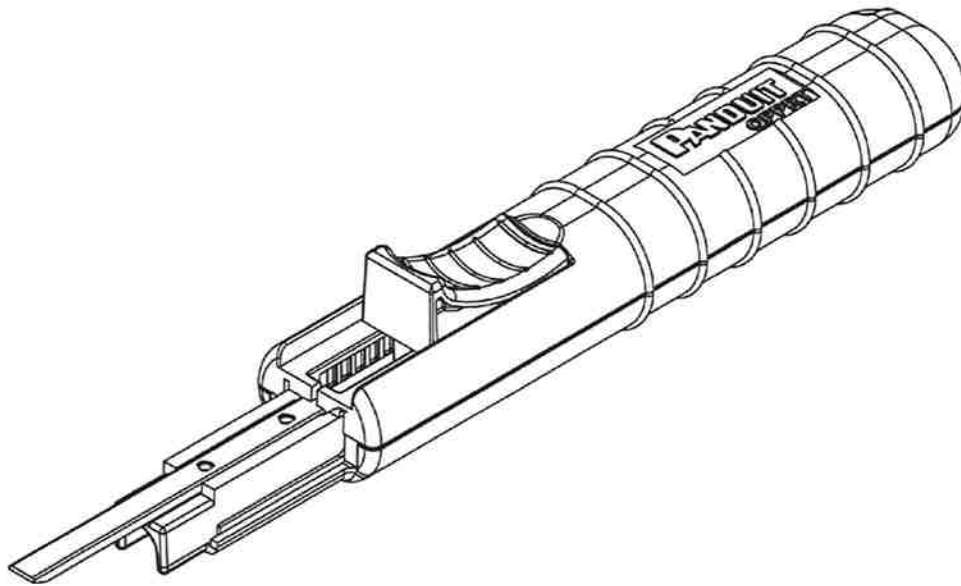


THIS COPY IS PROVIDED ON A RESTRICTED BASIS AND IS NOT TO BE USED IN ANY WAY DETRIMENTAL TO THE INTERESTS OF PANDUIT CORP.

QPPRT TOOL



The Panduit QPPRT (QuickNet Plug Pack Removal Tool) is used to remove RJ45 type plugs from Plug Pack Assemblies.

Removes Cat. 5e, Cat. 6, 10 Gig and 10 Gig shielded.

Tool Specification:

Tool Weight: 5.6 oz. (159g)


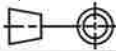
Dimensions:

Tool Length: 8.5" (216mm)

Tool Height: 1.2" (30mm)

Tool Width: 1.1" (28mm)

F:\wrkgrp\rvusers\ENGR DOCS\CUSTOMER DRAWINGS\
CG25533A01_01 QPPRT CD.doc

REV	DATE	BY	CHK	APR	DESCRIPTION	ECN	CUSTOMER DRAWING * QPPRT					
----	-----	----	----	----	UPDATE BRANDING	-----	CUSTOMER DRAWING					
01	7-23-14	BLR	<i>[Signature]</i>	<i>[Signature]</i>	REDRAWN NEW TEMPLATE;	4765	ITEM REVISION NAME: CG25533A01_01		 MATERIAL: ----- DRAWING NUMBER: CG25533A01			
UNLESS OTHERWISE SPECIFIED, DIMENSIONAL TOLERANCES ARE:							(.x) ± -- (.xxx) ± -- (.xx) ± -- ANGLES ± --  THIRD ANGLE PROJECTION					
REV	DATE	BY	CHK	APR	DESCRIPTION	ECN	DRAWN BY: BLR	DATE: 7-23-14	CHK JEH	SCALE NONE	SHT 1 OF 1	SIZE A