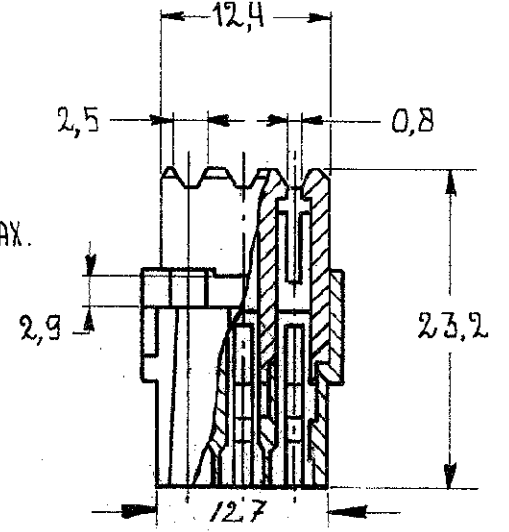
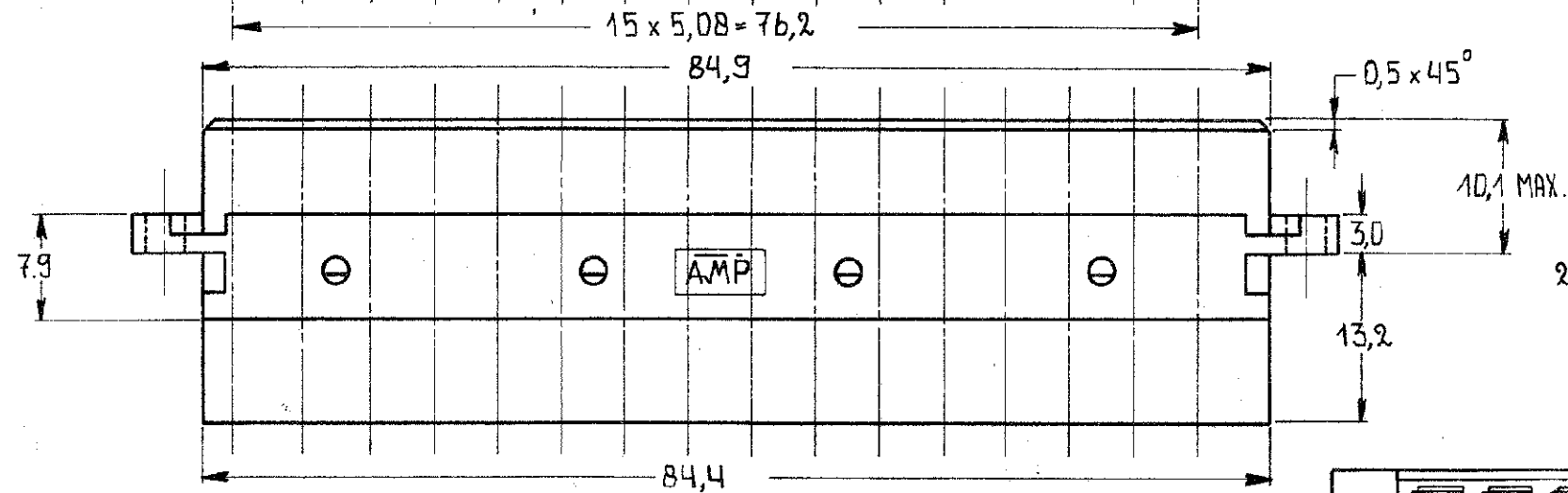
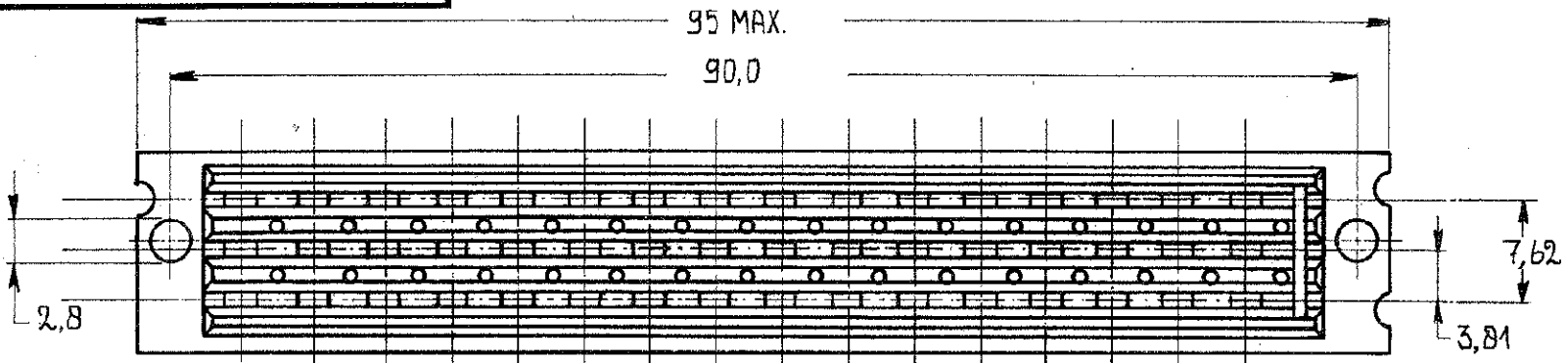


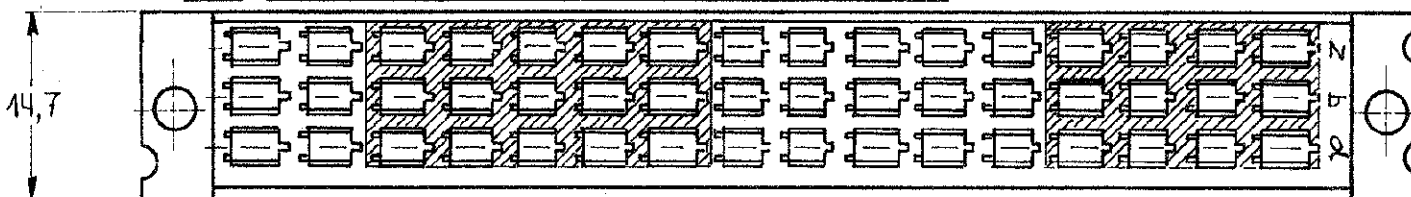
DRAWING MADE IN AMERICAN PROJECTION

REV	DESCRIPTION	DATE	DWN	APR
G1	ECO-11-005027	6APR11	RK	HMR

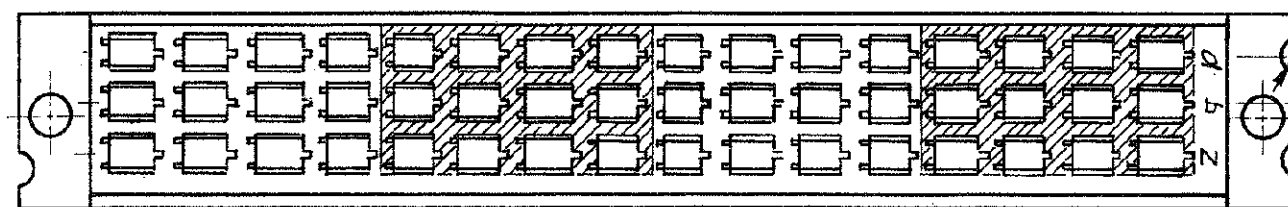


△ OBSOLETE

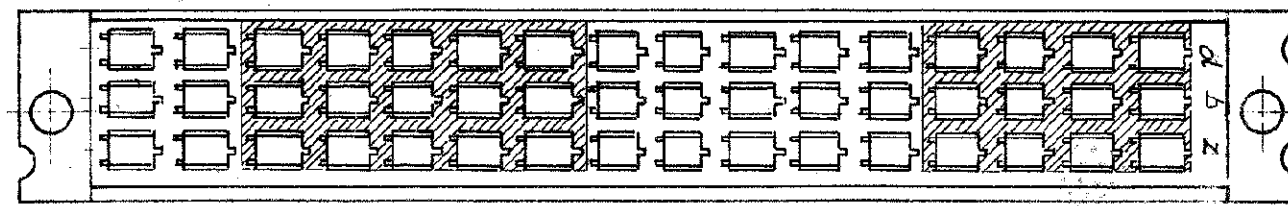
NOTE: BLOCK MARKING AND CAVITY NUMBERS PRINTED IN GREEN COLOR.



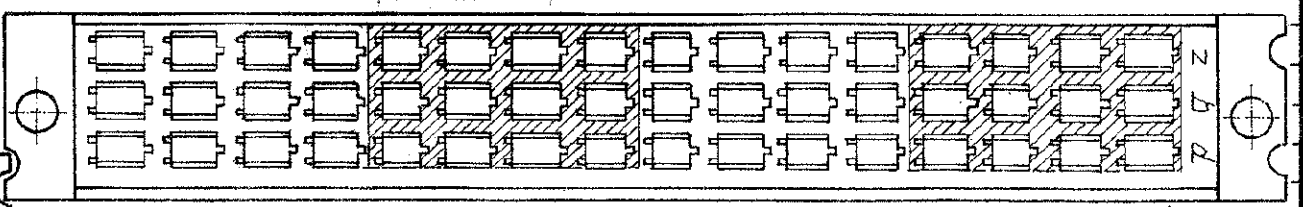
STYLE 3 FURTHER EQUAL TO 1.



STYLE 2.



STYLE 1



STYLE 4

△	166569-9	20% GLASS FILLED NORYL	GREY DAL 7032	4
△	166569-8	20% GLASS FILLED NORYL	GREY RAL 7032	3
△	166569-7	20% GLASS FILLED NORYL	GREY RAL 7032	1
	166569-1	20% GLASS FILLED NORYL	GREY RAL 7032	2
	ORDER NO.	MATERIAL	COLOR	STYLE

**CUSTOMER COPY FOR REFERENCE ONLY**

NUMBER C 166569	DR	DATE			
	L VAN DER HEYDEN	29.03.80			
	DATE	DATE	WIRE-RANGE	INSUL-RANGE	FIRST USED
	8.10.80	24.03.80			
APP	DATE	SCALE	SIZE	NO	REV
	8.10.80	2:1	B	C 166569	G1
NAME HOUSING, 48 POS., MIDI IEC CONNECTOR FOR CRIMP/SNAP-IN TAB RECEPTACLES (FEM.)					

SHEET 1 OF 2

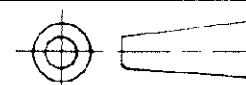
DIMENSIONS IN M.M. - DO NOT SCALE PRINT

DO NOT SCALE

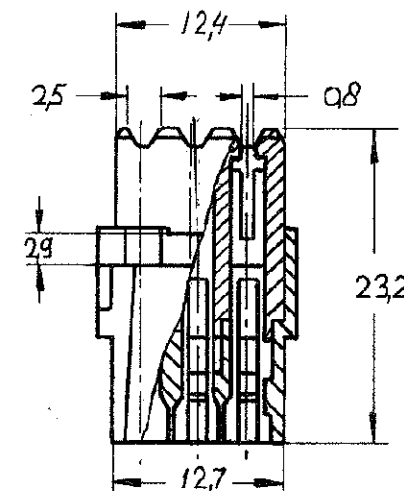
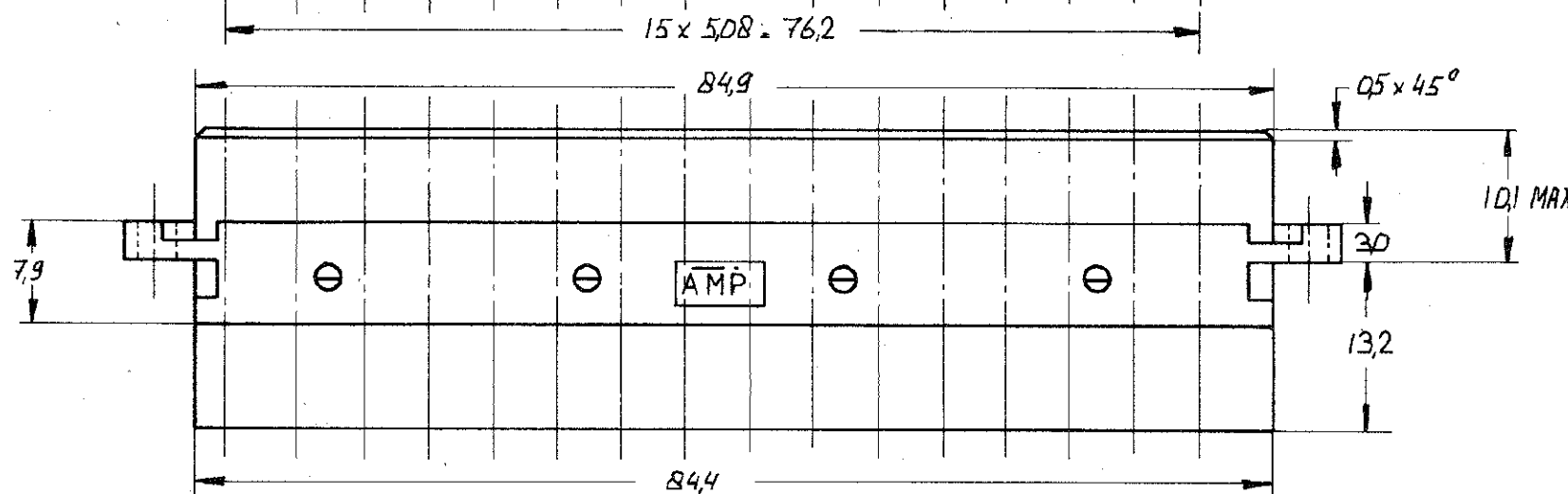
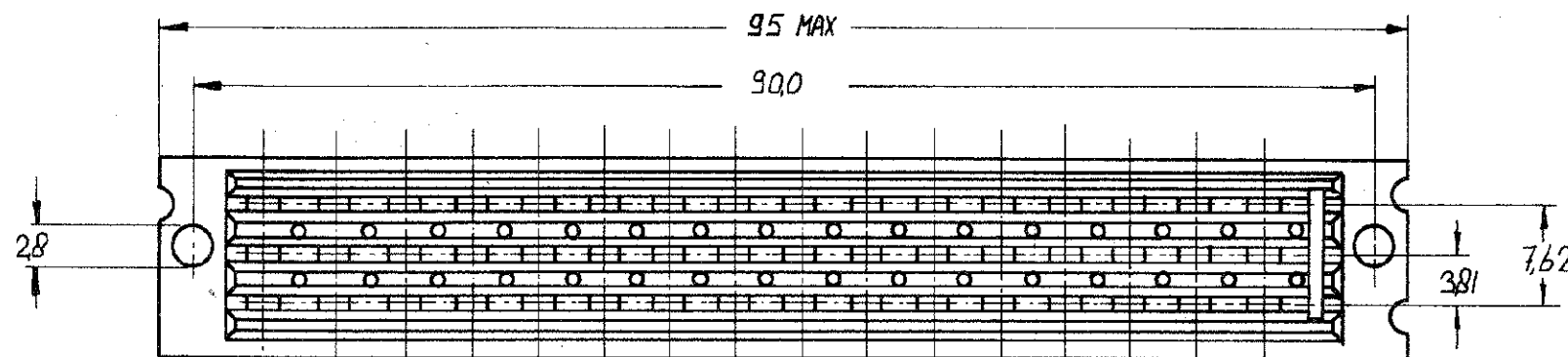
DIMENSIONS IN mm

METRIC

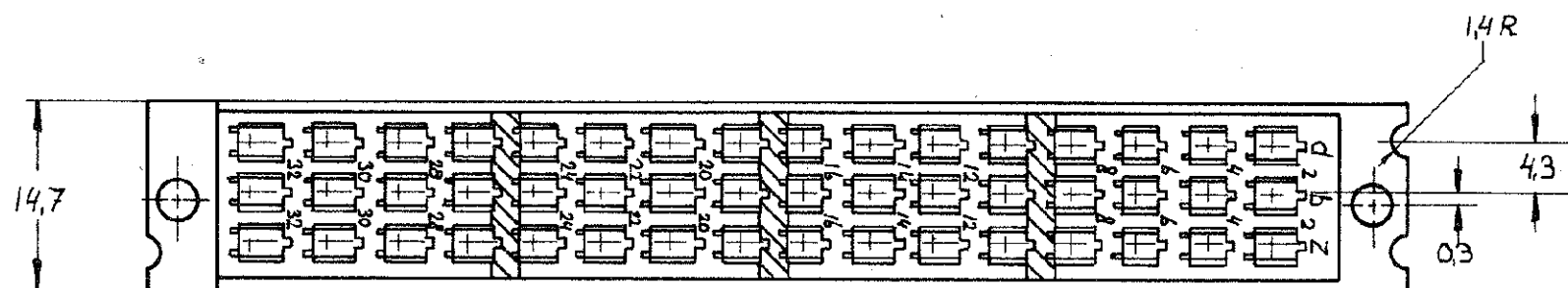
THIRD ANGLE PROJECTION



REV	DESCRIPTION	DATE	DWN	APR
-	SEE SHEET 1	-	-	-



NOTE:  
1: BLOCK MARKING AND CAVITY NUMBERS PRINTED IN GREEN COLOR.



GREY RAL 7032	GLASS FILLED NORYL 20%	1.166569.0
COLOR	MATERIAL	PART NUMBER

CUSTOMER DRAWING

FOR REFERENCE ONLY  
WILL NOT BE UPDATED



THIS DRAWING IS UNPUBLISHED      RELEASED FOR PUBLICATION      19

DR. M. VAES 19.1.83

CHK. *[Signature]* 20-1-83

APP.

WIRE RANGE

INSUL RANGE

NAME

48 POS FEMALE HOUSING TYPE F  
FOR CRIMP/SNAP IN CONTACT

REV. DATE  
D M Y

6 04 11

SIZE  
A3

SHEET  
2 OF 2

DRAWING NO

C 166569

REV. LTR  
G1

8      7      6      5      4      3      2      1