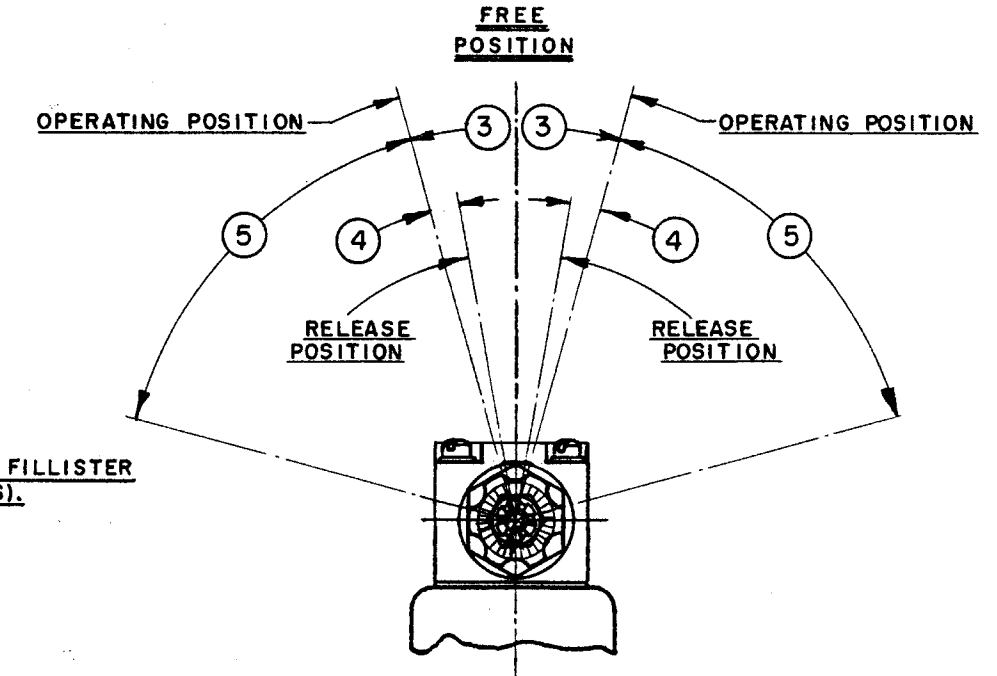
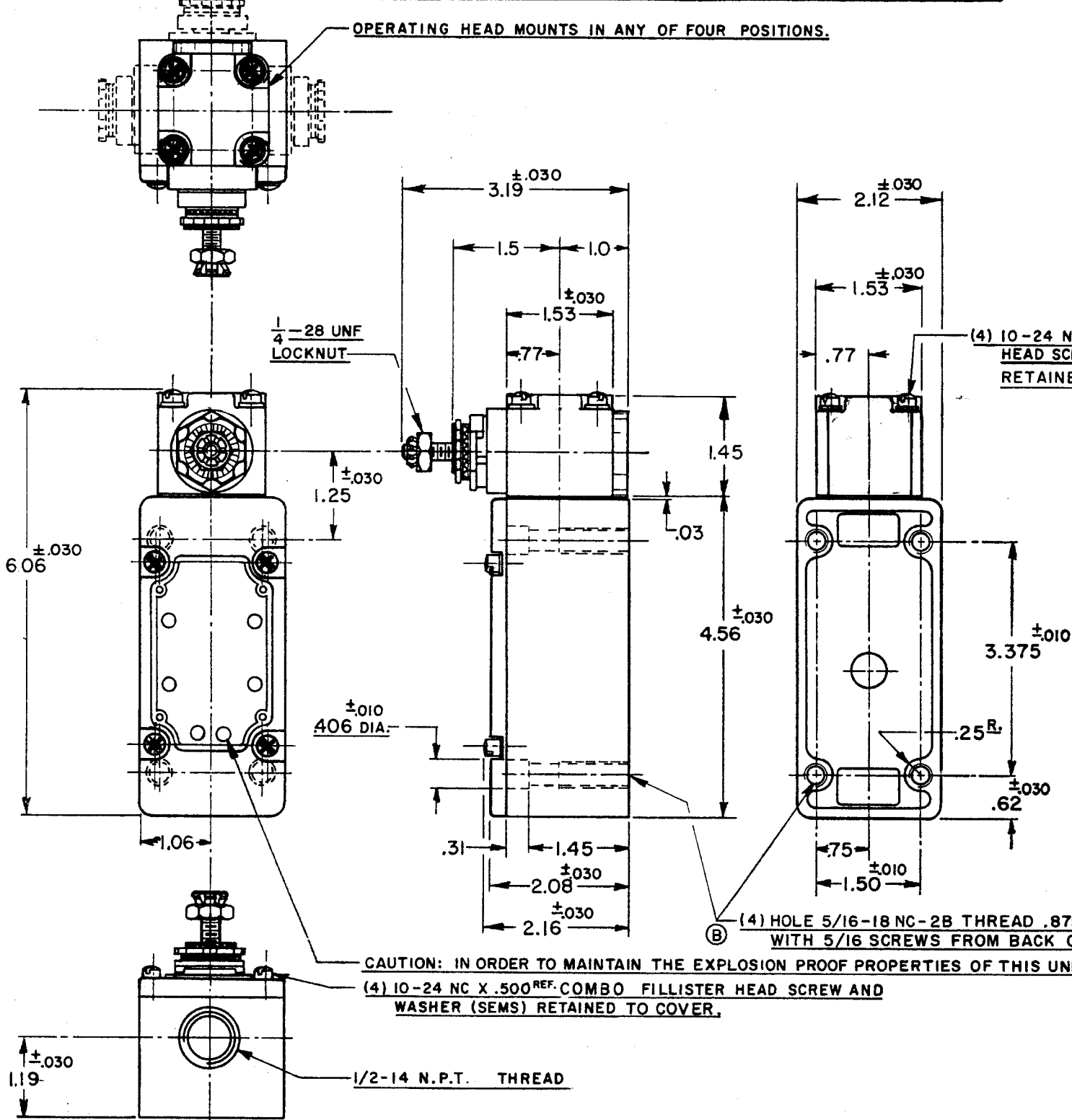


MICRO SWITCH
A DIVISION OF MINNEAPOLIS HONEYWELL REGULATORY COMPANY
FREEPORT, ILLINOIS

SWITCH-ENCLOSED

CATALOG LISTING
51ML2-E1

THIS DRAWING COVERS A PROPRIETARY ITEM AND IS THE PROPERTY OF MICRO SWITCH, A DIVISION OF HONEYWELL. THIS DRAWING IS NOT TO BE COPIED OR USED WITHOUT THE APPROVAL OF MICRO SWITCH.



- NOTES**
- 1 - IT IS ESSENTIAL THAT THE CONDUIT OPENING BE PROPERLY SEALED IN ORDER TO MAINTAIN THE EXPLOSION PROOF PROPERTIES SWITCH IS ASSEMBLED FOR ACTUATION IN EITHER DIRECTION
 - 2 - LISTED BY UNDERWRITERS LABORATORY, INC. FOR USE IN CLASS I, GROUPS C AND D VAPOR-AIR ATMOSPHERE, AND CLASS 2 GROUPS E, F AND G DUST-AIR ATMOSPHERES
 - 3 - TO CONVERT SWITCH FOR ACTUATION IN EITHER CLOCKWISE OR COUNTER-CLOCKWISE DIRECTION ONLY, REMOVE THE HEAD AND SLIDE THE CAM TOWARD THE REAR OF THE HEAD SUFFICIENTLY TO DISENGAGE FROM THE FLATS ON THE SHAFT. ROTATE THE CAM 90° IN THE OPPOSITE DIRECTION OF THE ACTUATION DESIRED AND RE-ENGAGE THE CAM WITH THE FLATS ON THE SHAFT
 - 4 - SHAFT MAY BE ADJUSTED TO ACTUATE THE SWITCH IN THE CLOCKWISE DIRECTION ONLY, THE COUNTER-CLOCKWISE DIRECTION OR IN BOTH DIRECTIONS

74-363
 DRAWN
 H.A.P. 12 DEC. 55
 CHECK
 K.0074287
 15 JUN 88
 D
 J.0063739
 6 JAN 86
 F.A.D.
 H.55051-C
 11 NOV 85
 J.A.S.
 G.058367
 22 SEP 83
 G.J.W.
 F.052194
 10 SEP 88
 M.B.S.
 E.024575
 10 MAR 59
 M.B.F.
 D.013487
 14 MAY 58
 M.B.F.
 C.012789
 6 MAR 58
 O.M.W.
 B.011247
 8 NOV 56
 R.E.R.
 A.010928
 REVISIONS
 II
 ISSUE
 2
 DRAWING NUMBER
 M
 51ML2-E1
 REPLACES
 SR 4896
 RELEASE NO.
 14 DEC. 55
 CHECK
 A.A.S. 12 DEC. 55
 CHECK
 A.A.S. 12 DEC. 55
 CHECK
 A.A.S. 12 DEC. 55
 CHECK

CHARACTERISTICS	ELECTRICAL DATA	SCALE 1/2 TO 1
OPERATING TORQUE---3 9/16 LB.-IN. MAX.	CONTACT ARRANGEMENT	DO NOT SCALE PRINT
FULL OVERTRAVEL TORQUE---5 3/8 LB.-IN. MAX.	S. P. D. T.	UNLESS OTHERWISE SPECIFIED
RELEASE TORQUE-----7/16 LB.-IN. MIN.		DIMENSIONS ARE IN INCHES
PRETRAVEL-----3 12° MAX.	20 A-120, 240 OR 480 VAC; 3/4 H.P.-120 VAC	TOLERANCES ARE:
DIFFERENTIAL TRAVEL---4 4° MAX.	1 1/2 HP-240 VAC; 1/2 A-115 VDC; 1/4 A-230 VDC	ONE PLACE (.0) ±.030
OVERTRAVEL-----5 60° MIN.	PILOT DUTY 720VA-HEAVY DUTY 600 VAC MAX	TWO PLACE (.00) ±.018
		THREE PLACE (.000) ±.008
		ANGLES ±
SWITCH-BASIC REPLACEMENT---IMKI		WEIGHT