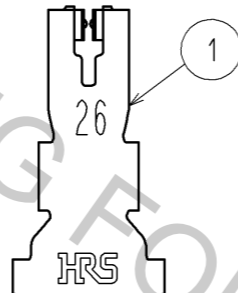
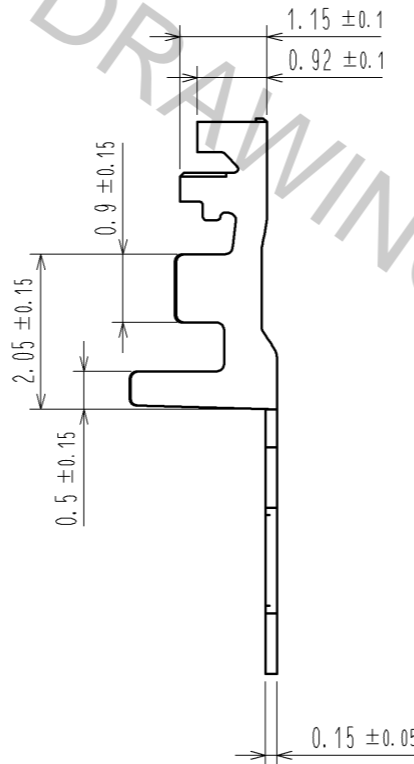
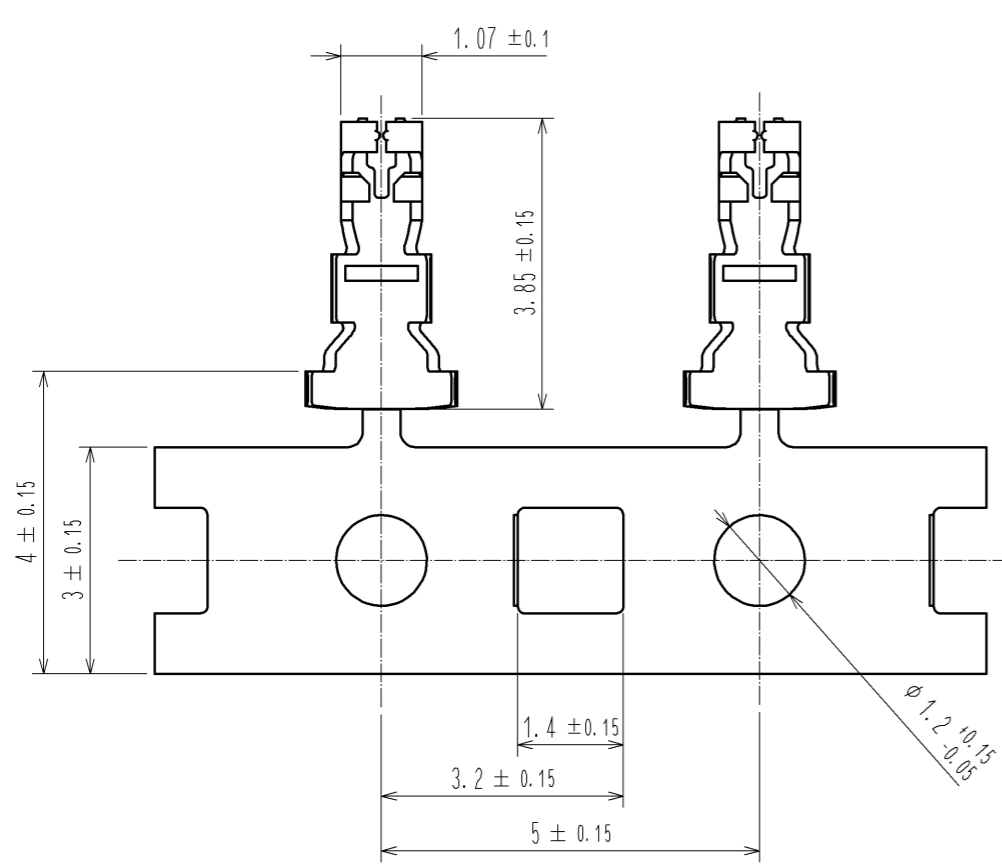
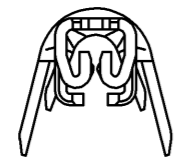
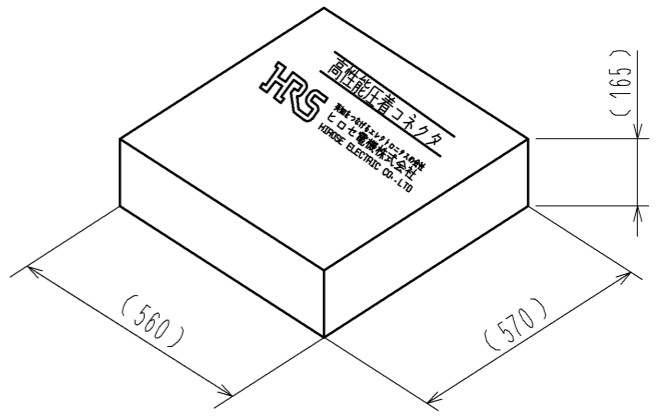


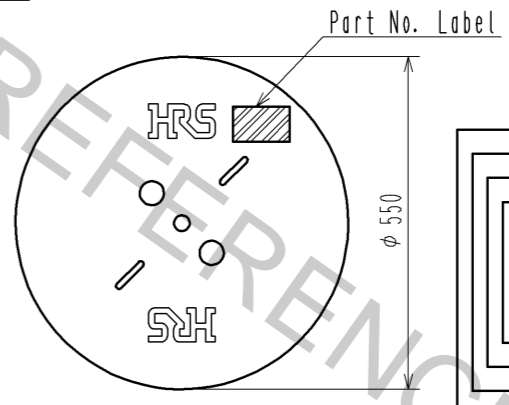
Apr.1.2017 Copyright 2017 HIROSE ELECTRIC CO., LTD. All Rights Reserved.



2 STYLE AND DIMENSION OF BOX



2 STYLE AND DIMENSION OF REEL



Detail of part No. Label

HRS		検査
品名コード	CL666-5003-7-41	Section Lot No. Specification Quantity Part No. Code No.
品名	DF61-2630SCF(41)	
数量	18000	
LOT No.		
継ぎ目		
		検査

- NOTE 1. 1RL:18000 CONTACTS.
 2. STYLE OF REEL AND BOX SHOWS IN FIGURE.
 3. A MAXIMUM OF 5 REELS ARE PACKED UP IN ONE BOX.
 4. PLEASE BE SURE TO CHECK THE FORM OF CRIMPING USING A CABLE. WHEN YOU ADJUST APPLICATOR.

NO.	MATERIAL	FINISH . REMARKS	NO.	MATERIAL	FINISH . REMARKS
			1	COPPER ALLOY	SURFACE:TIN PLATING 1 μmMIN
UNITS mm		SCALE 10:1	COUNT	DESCRIPTION OF REVISIONS	DESIGNED
					CHECKED
					DATE
HIROSE ELECTRIC CO., LTD.		APPROVED : KI. AKIYAMA	12.06.14	DRAWING NO.	EDC3-336117-02
		CHECED : HK. UMEHARA	12.06.14	PART NO.	DF61-2630SCF(41)
		DESIGNED : TT. OHSAKO	12.06.12	CODE NO.	CL666-5003-7-41
		DRAWN : TT. OHSAKO	12.06.12		