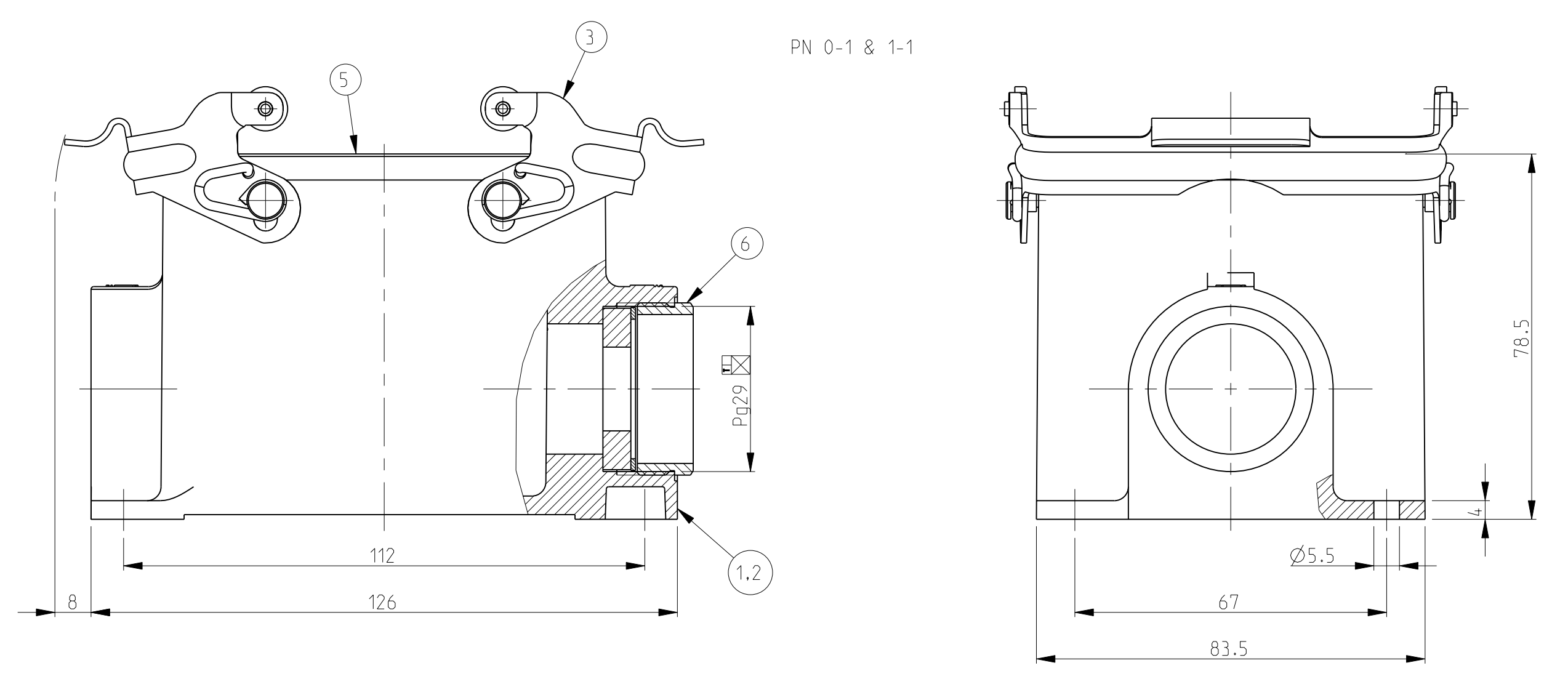
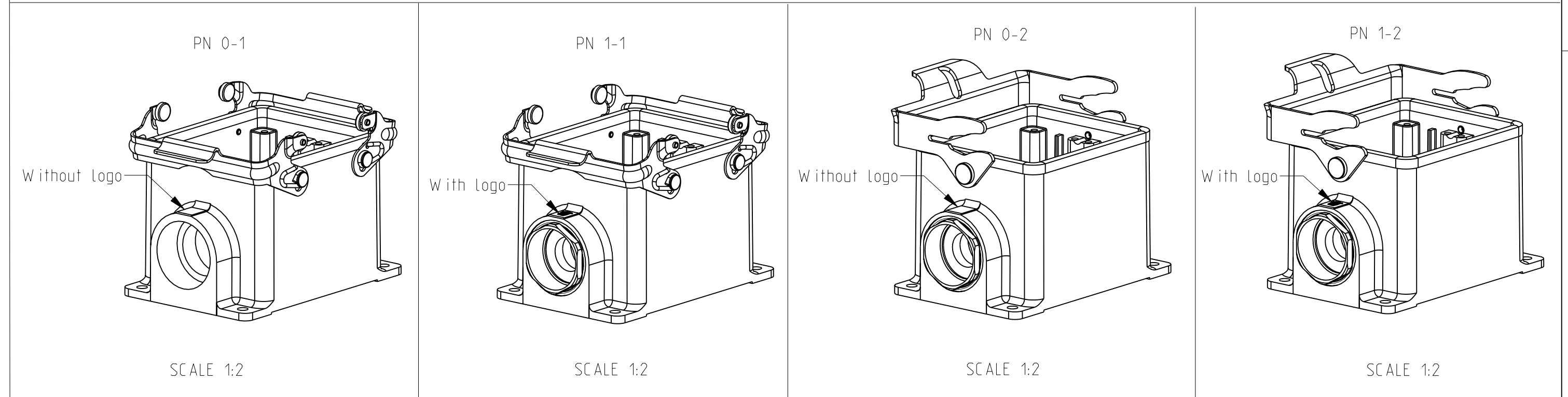
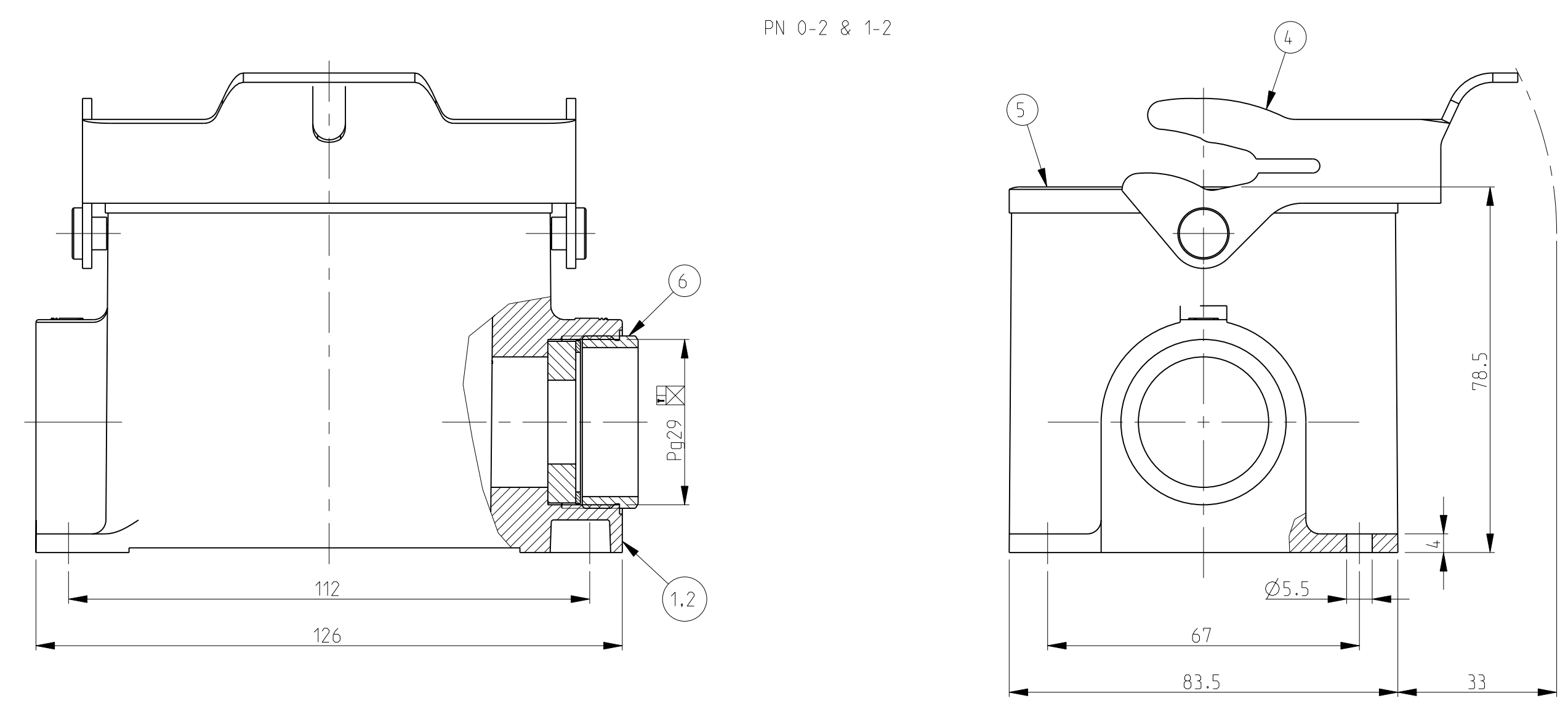


LOC	DIST	REV	DATE	DWN	APVD	
A1	-	A2	Released as per ECR-08-016634	02.July.2008	SP	TS



- NOTES.
- 1 Material:Housing:Aluminium Diecasting Alloy  
Seals:Neoprene
  - 2 Surface:Varnish grey
  - 3 Varnish on the inside not necessary
  - 4 Packaging  
Quantity 3 Pieces in a box



QTY	ITEM NO	DESCRIPTION	MATERIAL	SURFACE	COLOR	ITEM NO	REMARKS
1	1	DS-Cable fitting	Brass	Nickel plated	Blue	6	
1	1	Profile seal	Neoprene		Black	5	
1	1	Side clip	Steel	Zinc plated	Blue	4	
2	2	Locking Clip Finished product HB32	Steel	Zinc plated	Blue	3	
1	1	Surface mounted housing side entry	Aluminium		Grey	2	Natural
1	1	Surface mounted housing side entry	Aluminium		Grey	1	

ORDERING TEXT  
 HB.32.SG-VS.1.29  
 HB.32.SG-LB.1.29  
 HB.32.SG-VS.1.29  
 HB.32.SG-LB.1.29

DIMENSIONS:	TOLERANCES UNLESS OTHERWISE SPECIFIED:	DWN	14.05.03	Tyco Electronics,AMP.GmbH 0-53819,Neunkirchen,Germany
mm	0 PLC ± 1 PLC ± 2 PLC ± 3 PLC ± 4 PLC ± ANGLES ±	CHK	14.05.03	
MATERIAL	FINISH	APVD	-	NAME
		PRODUCT SPEC	-	Surface mounted housing side entry HB.32.SG.1.29
		APPLICATION SPEC	-	SIZE CAGE CODE DRAWING NO
		WEIGHT	-	A1 00779 C=1102353
		CUSTOMER DRAWING	SCALE 1:1	SHEET 1 OF 1 REV A2