

4

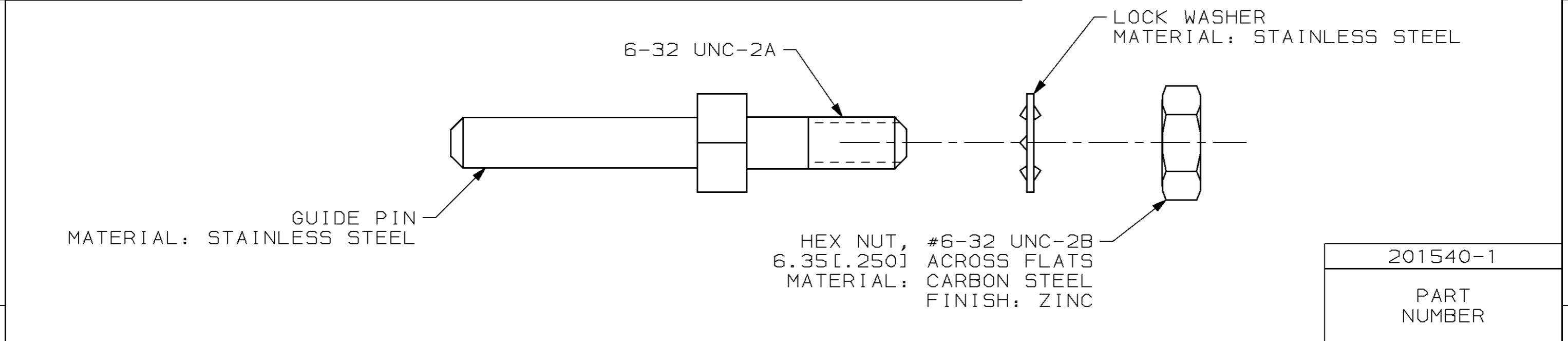
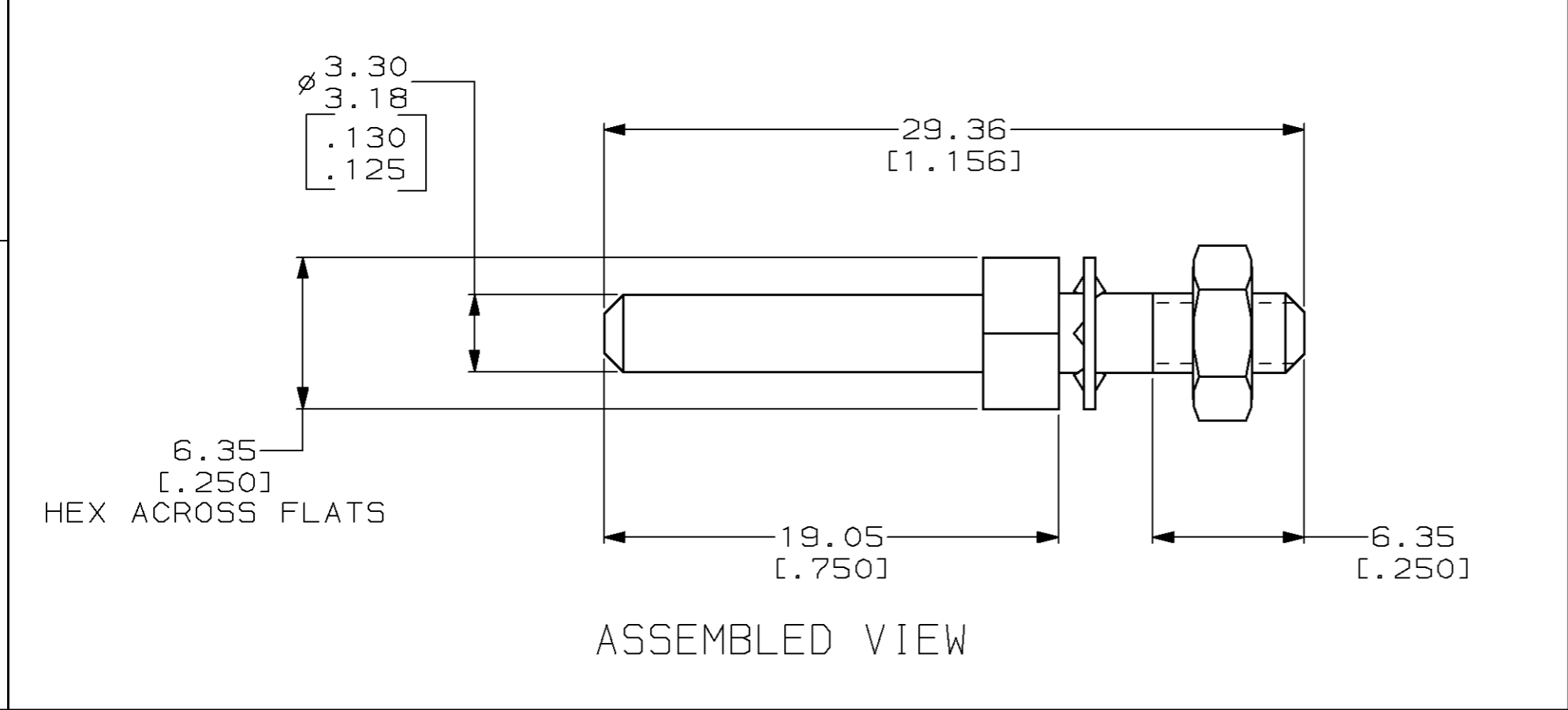
3

2

1

THIS DRAWING IS UNPUBLISHED. RELEASED FOR PUBLICATION, 19 .  
 © COPYRIGHT 19 BY AMP INCORPORATED. ALL RIGHTS RESERVED.

LOC	DIST	REVISIONS			
P	LTR	DESCRIPTION	DATE	DWN	APVD
FT	8	H	REDRAWN W/O CHANGE PER EC 0020-287-96	03 JUN 96	-



THIS DRAWING IS A CONTROLLED DOCUMENT.		DWN C. REIFSNYDER 03 JUN 96	<b>AMP</b> AMP Incorporated Harrisburg, PA 17105-3608
DIMENSIONS: mm [INCHES]		CHK R. STONE 17 JUL 96	
TOLERANCES UNLESS OTHERWISE SPECIFIED:		APVD G. A. STEINHAUER 23 JUL 96	NAME GUIDE PIN KIT, UNASSEMBLED, 104 POSITION, CENTER FASTENER, M SERIES
0 PLC ±-		PRODUCT SPEC	
1 PLC ±-		APPLICATION SPEC	SIZE A3
2 PLC ±0.38 [.015]		WEIGHT	CAGE CODE 00779
3 PLC ±-		MATERIAL SEE CALLOUTS	DRAWING NO C-201540
4 PLC ±-			SCALE 4:1
ANGLES ±-		FINISH SEE CALLOUTS	SHEET 1 OF 1
MATERIAL SEE CALLOUTS		FINISH SEE CALLOUTS	REV H
CUSTOMER DRAWING			