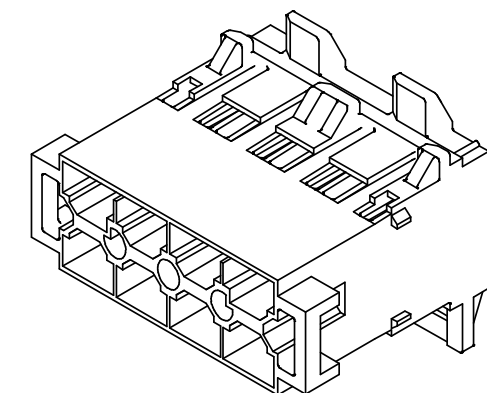
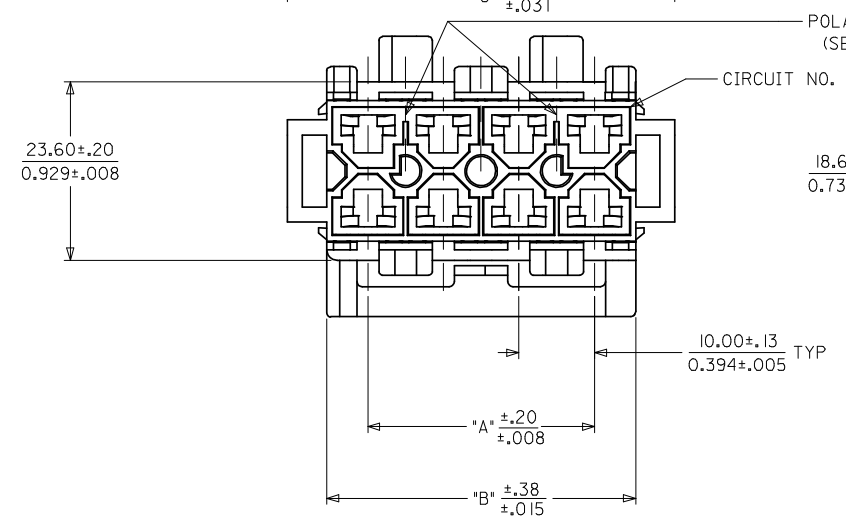
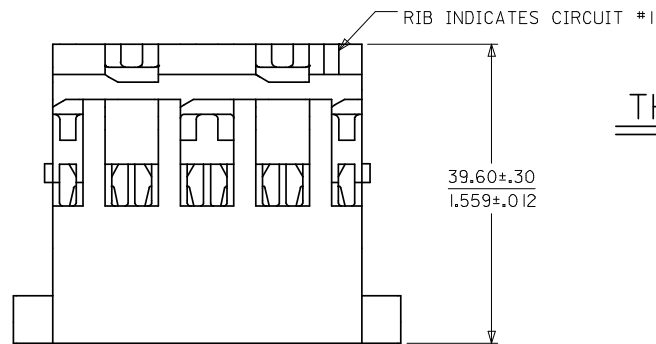


MATERIAL NUMBER	POSITION NUMBER	DIM. "A"	DIM. "B"	DIM. "C"	QUANTITY OF POLARIZING SLOTS	PANEL THICKNESS ACCOMMODATED
43938-2101	6	20.00 .787	30.90 1.216	41.30 1.626	1	1.80/2.00 .071/.079
43938-2102	8	30.00 1.181	40.90 1.610	51.30 2.020	2	
43938-2103	10	40.00 1.575	50.90 2.004	61.30 2.413	2	
43938-2104	12	50.00 1.968	60.90 2.398	71.30 2.807	2	
43938-2105	14	60.00 2.362	70.90 2.791	81.30 3.201	2	

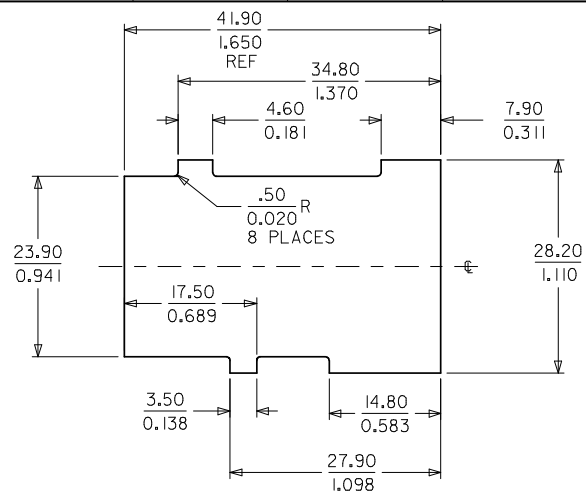
NOTES:

1. MATERIAL: UNFILLED POLYESTER, U.L. 94V-0, COLOR: BLACK
2. FINISH: NONE
3. PRODUCT SPECIFICATION: PS-42815-001
4. FOR PACKAGING INFORMATION SEE PK-45286-002.
5. THIS PART IS DESIGNED TO USE MALE CRIMP TERMINAL #42817.
6. EACH WIRE MUST BE DRESSED SUCH THAT THE TERMINAL MAINTAINS ITS FREE FLOAT WITHIN THE HOUSING.
7. THIS PART IS DESIGNED TO USE T.P.A. #43980.
8. THIS PART IS DESIGNED TO MATE WITH RECEPTACLE HOUSING #43914.
9. SEE SHEET 2 FOR PANEL CUT-OUT DETAILS.
10. POLARIZING SLOTS TO BE LOCATED BETWEEN CIRCUITS ON EITHER END OF HOUSING OF THE CIRCUIT 1 ROW AS SHOWN.  
EXCEPTION: THE 6 CIRCUIT HOUSING WILL HAVE A SINGLE SLOT ON THE CIRCUIT 1 END ONLY.

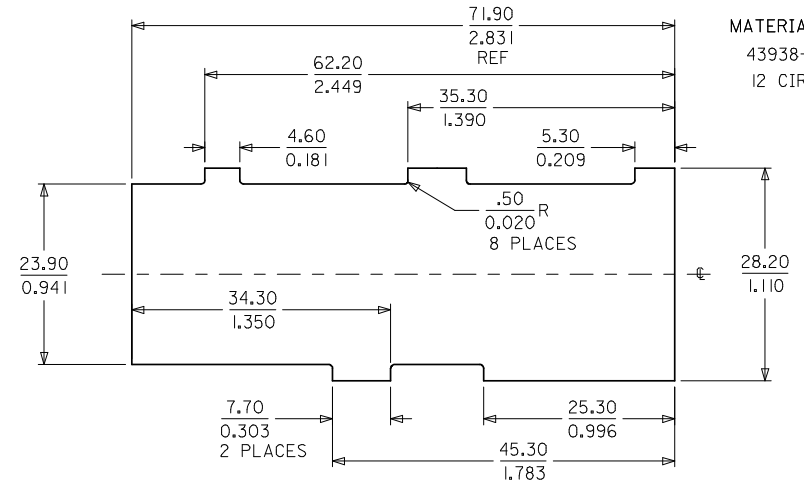
THIS PRODUCT MUST NOT BE USED WITHOUT THE T.P.A.



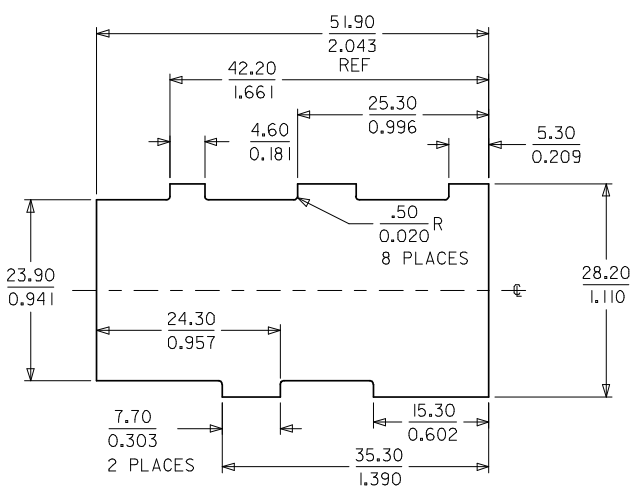
<b>CHG PK SPEC</b> EC NO: UCP2008-2918 DRWINGSMART 2008/07/14 CHKD:ALHAG 2008/07/15 APPR:FSMITH 2008/08/01	QUALITY SYMBOLS ▽=0 ▽=0	GENERAL TOLERANCES (UNLESS SPECIFIED)		DIMENSION STYLE		SCALE	DESIGN UNITS	THIRD ANGLE PROJECTION			
				MM/IN			METRIC				
				mm	INCH	DRAWN BY	DATE	TITLE			
						POLGAR	1998/08/21	DUAL ROW PANEL MT, PLUG 6-14 CKT., BOTTOM LATCH, MINI-FIT SR. SERIES			
				CHECKED BY	DATE	DOCUMENT NO.					
				COMERC I	1998/10/02	SD-43938-002					
				APPROVED BY	DATE	SHEET NO.					
				COMERC I	1998/10/02	1 OF 2					
				MATERIAL NO.		INCORPORATED AND SHOULD NOT BE USED WITHOUT WRITTEN PERMISSION					
				SEE TABLE							
				DRAFT WHERE APPLICABLE MUST REMAIN WITHIN DIMENSIONS							
				SIZE							
				C							



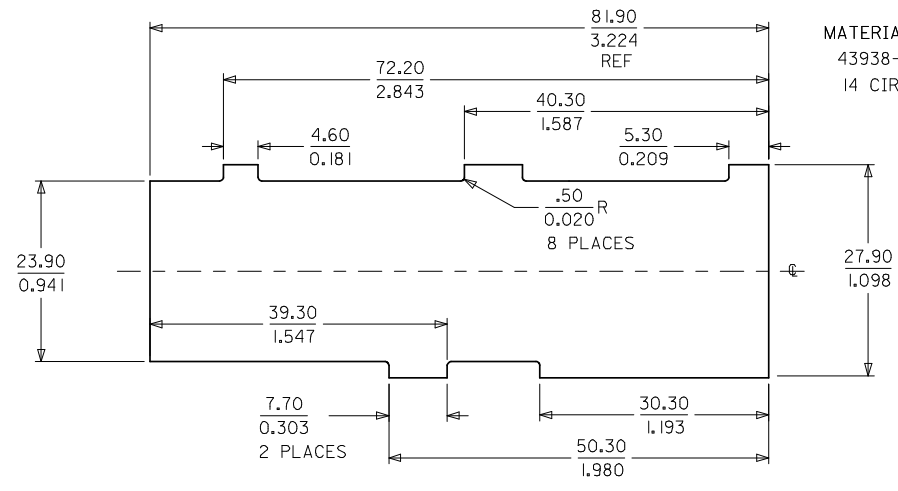
MATERIAL NO.:  
43938-2101  
6 CIRCUIT



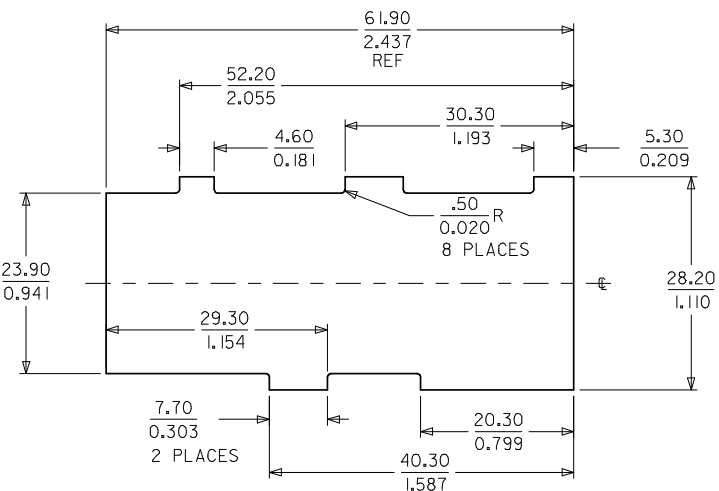
MATERIAL NO.:  
43938-2104  
12 CIRCUIT



MATERIAL NO.:  
43938-1102  
43938-2102  
8 CIRCUIT



MATERIAL NO.:  
43938-2105  
14 CIRCUIT



MATERIAL NO.:  
43938-2103  
10 CIRCUIT

PANEL OPENINGS SHOWN FROM OUTSIDE OF BOX.  
SEE CHART FOR PANEL THICKNESS.

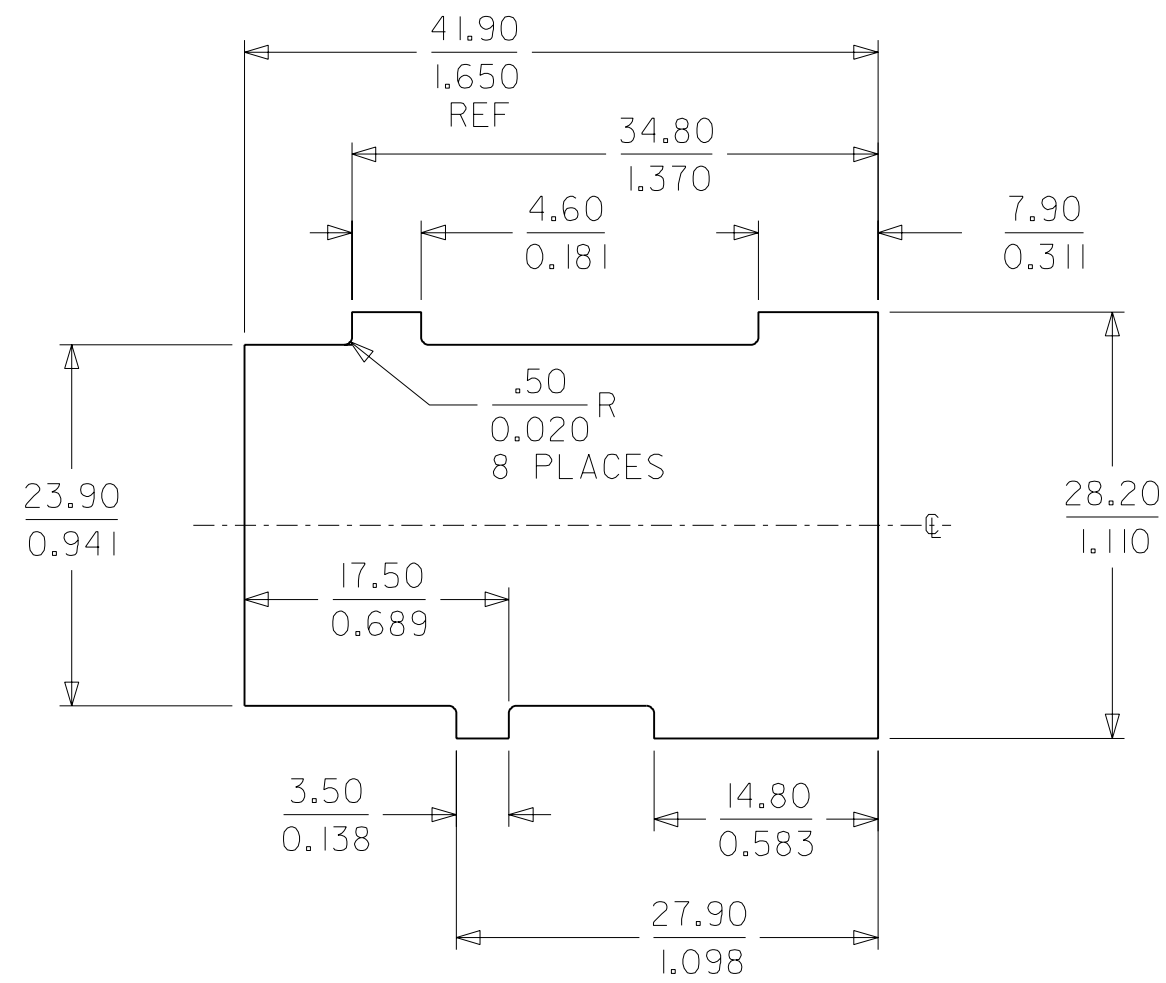
<b>UPDATE REV LEVEL</b> EC NO: UCP2008-2918 DRWINGSMART 2008/07/14 CHKD: AELHAG 2008/07/15 APPR: FSMITH 2008/08/01	QUALITY SYMBOLS ▽=0 ▽=0
--	-------------------------------

GENERAL TOLERANCES (UNLESS SPECIFIED)	
mm	INCH
4 PLACES ± .005	± .0002
3 PLACES ± .005	± .0002
2 PLACES ± .005	± .0002
1 PLACE ± .005	± .0002
ANGULAR ± 1/2°	
DRAFT WHERE APPLICABLE MUST REMAIN WITHIN DIMENSIONS	

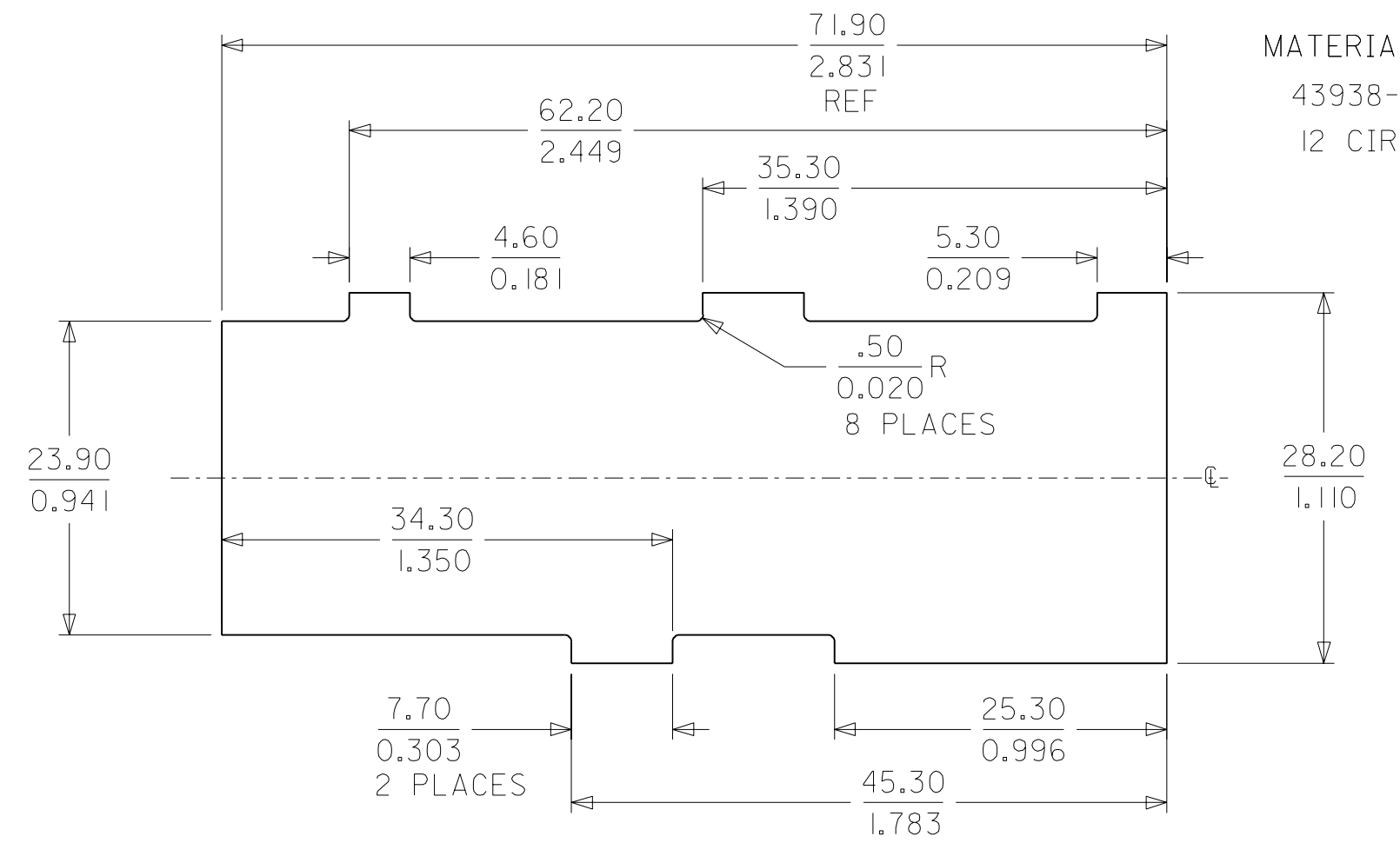
DIMENSION STYLE	
MM/IN	
DRAWN BY	DATE
POLGAR	1998/08/21
CHECKED BY	DATE
COMERC I	1998/10/02
APPROVED BY	DATE
COMERC I	1998/10/02
MATERIAL NO.	
SEE TABLE	
SIZE	
C	

SCALE 1:1	DESIGN UNITS METRIC	THIRD ANGLE PROJECTION
TITLE		
DUAL ROW PANEL MT, PLUG 6-14 CKT., BOTTOM LATCH, MINI-FIT SR. SERIES		
MOLEX MOLEX INCORPORATED		SHEET NO. 2 OF 2
DOCUMENT NO. SD-43938-002		
THIS DRAWING CONTAINS INFORMATION THAT IS PROPRIETARY TO MOLEX INCORPORATED AND SHOULD NOT BE USED WITHOUT WRITTEN PERMISSION		

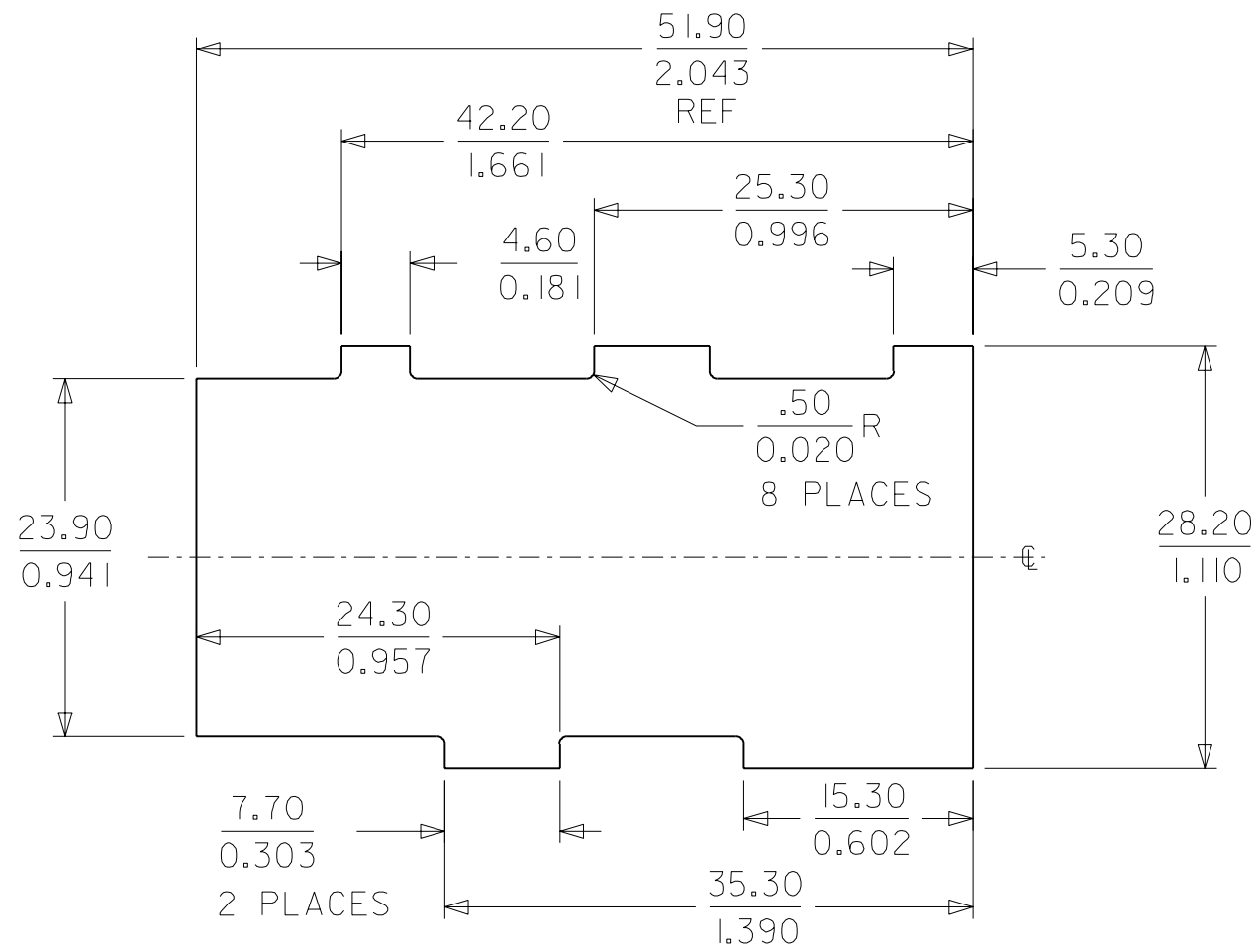
MATERIAL NO.:  
43938-2101  
6 CIRCUIT



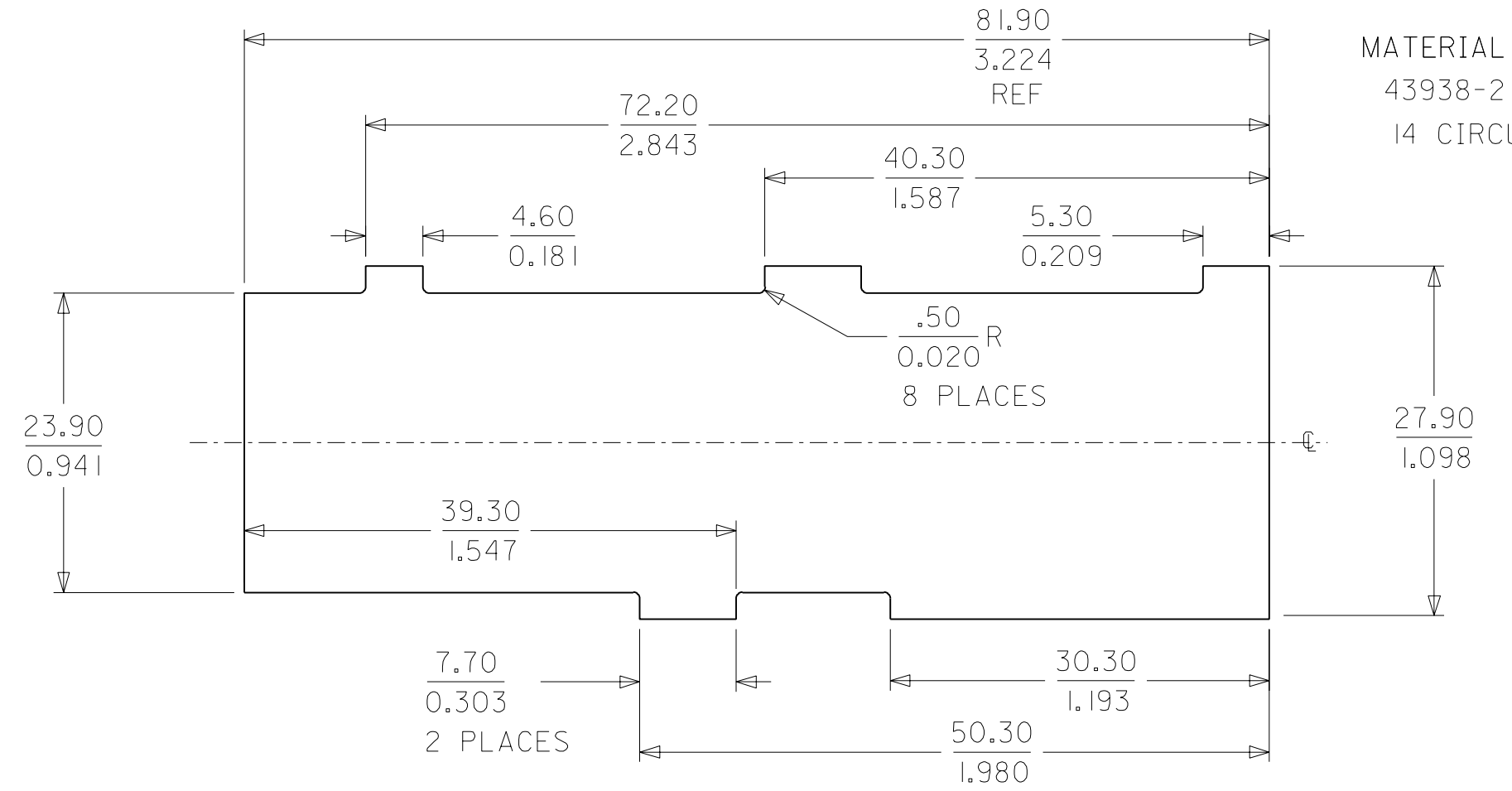
MATERIAL NO.:  
43938-2104  
12 CIRCUIT



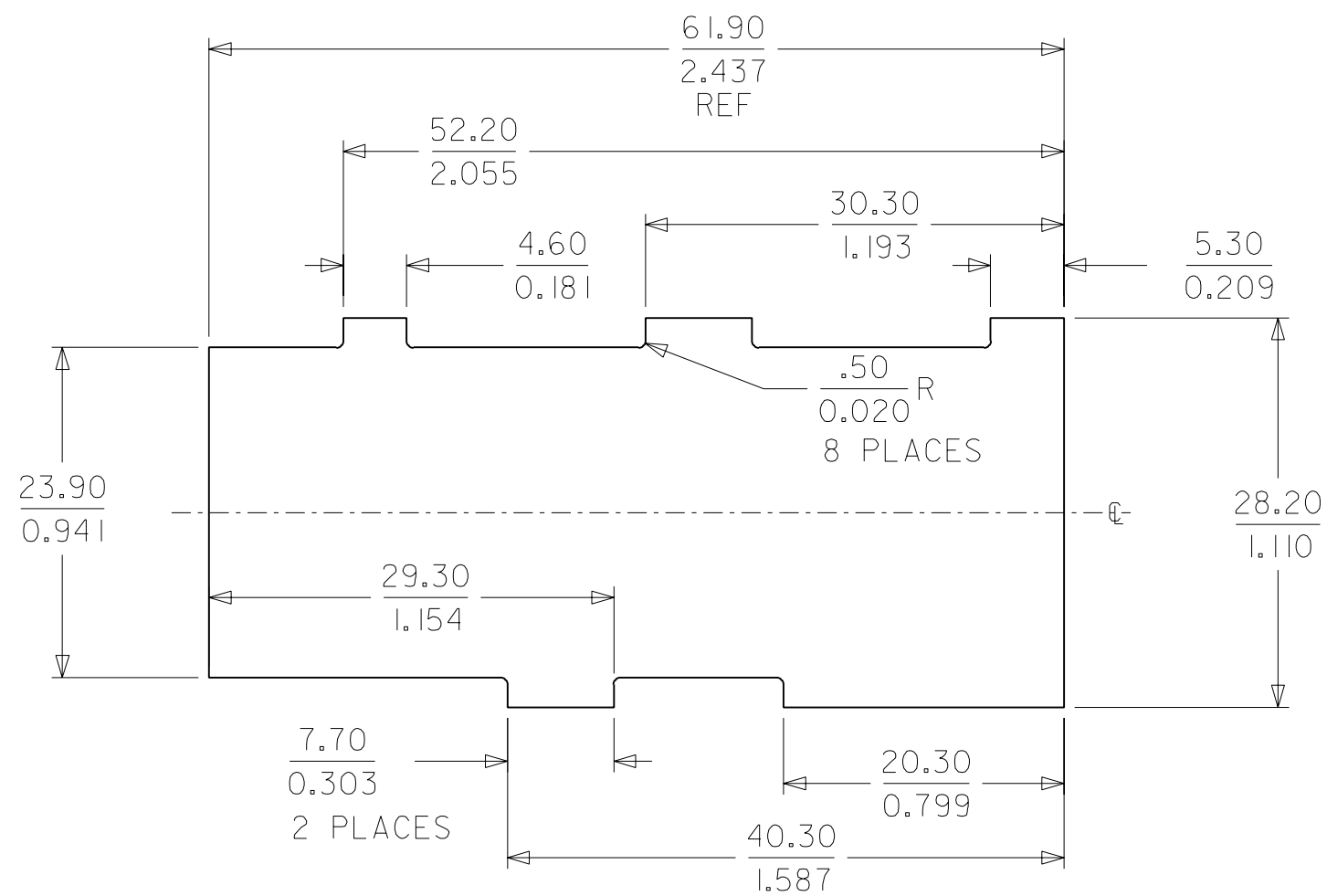
MATERIAL NO.:  
43938-1102  
43938-2102  
8 CIRCUIT



MATERIAL NO.:  
43938-2105  
14 CIRCUIT



MATERIAL NO.:  
43938-2103  
10 CIRCUIT



PANEL OPENINGS SHOWN FROM OUTSIDE OF BOX.  
SEE CHART FOR PANEL THICKNESS.

SEE SHEET 1 EC NO. UCP2004-0496 DRWN: COMERC I 03/09/12 CHK: COMERC I 03/09/12 APPR: COMERC I 03/09/12	QUALITY SYMBOLS	GENERAL TOLERANCES: (UNLESS SPECIFIED)	SCALE 2 : 1	DESIGN UNITS <input checked="" type="checkbox"/> mm <input type="checkbox"/> INCH	THIRD ANGLE PROJECTION <input checked="" type="checkbox"/> mm <input type="checkbox"/> INCH	DIMENSIONS: <input checked="" type="checkbox"/> mm <input type="checkbox"/> INCH <input type="checkbox"/> mm ONLY	SHT 2	REV 1
	MAJOR = 0 CRITICAL = 0	4 PLACES ±0.--- 3 PLACES ±0.--- 2 PLACES ±0.10 1 PLACE ±0.---	mm INCH ±0.--- ±.--- ±.004 ±.--- ±.--- ±.---	DRAWN BY & DATE POLGAR 98/08/21	CHECKED BY & DATE COMERC I 98/10/02	APPROVED BY & DATE COMERC I 98/10/02	TITLE: DUAL ROW PANEL MT. PLUG, 6-14 CKT., BOTTOM LATCH, MINI-FIT SR. SERIES	
D2	ANGULAR: ± -- °	DRAFT WHERE APPLICABLE MUST REMAIN WITHIN DIMENSIONS	CAD FILENAME	MATERIAL NO. SEE CHART	DRAWING NO. SD-43938-002	SHEET NO. 2		
THIS DRAWING CONTAINS INFORMATION THAT IS PROPRIETARY TO MOLEX INCORPORATED AND SHOULD NOT BE USED WITHOUT WRITTEN PERMISSION.							SIZE C	