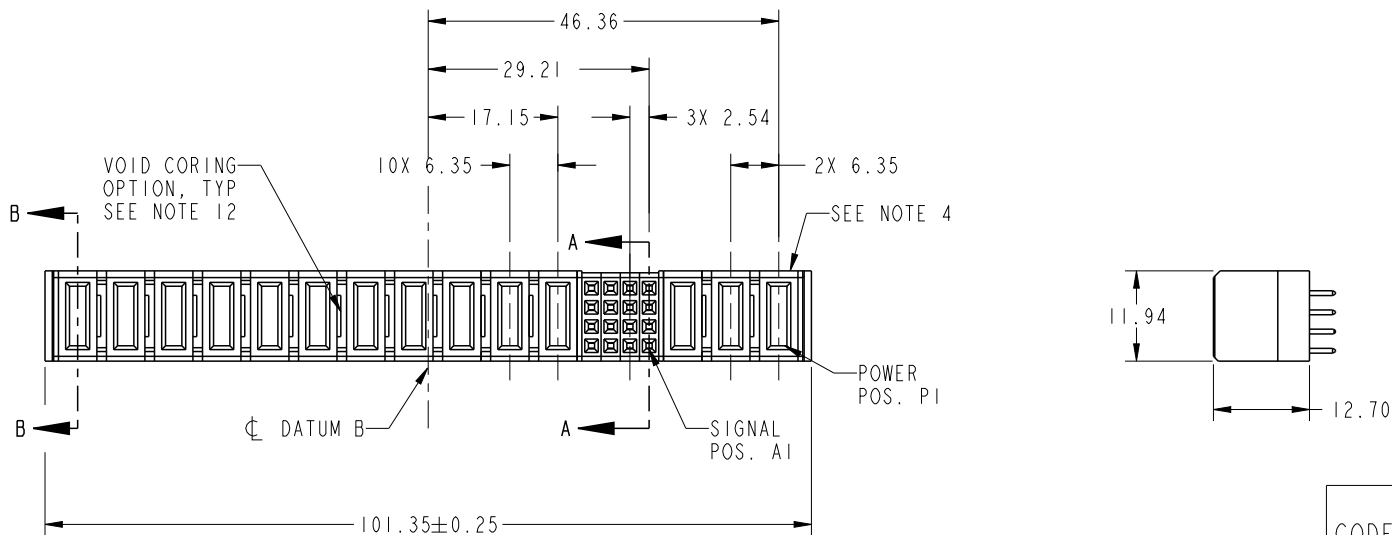


PRODUCT NO.	ROWS	POWER											SIGNAL			POWER			
		P14	P13	P12	P11	P10	P9	P8	P7	P6	P5	P4	4	3	2	1	P3	P2	P1
51940-432-- NOTE: 3	D C B A	PD	PD	PD	PD	PD	PD	PD	PD	PD	PD	PD	E	E	E	E	PA	PD	PD

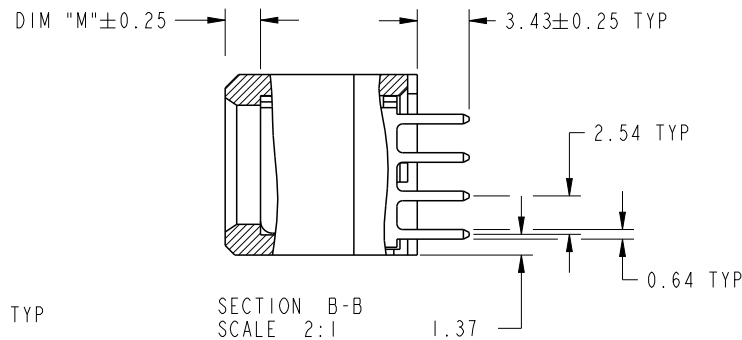
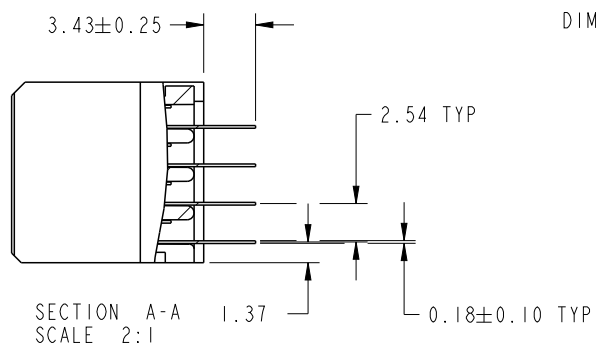


CODE	DIM "M" MATING LENGTH	CONTACT TYPE
E	[N/A]	SIGNAL
PD	[2.34]	POWER
PA	[1.07]	POWER

spec ref	*	dr	Shi Guang	2012/05/03	projection	MM	size	A4	scale	1:1
tolerance std	TOLERANCES UNLESS OTHERWISE SPECIFIED	eng	Luo Weller	2014/10/13			ecn no	ELX-DG-15094-1		
SEE NOTE		chr	-	-				product family	PwrBlade	rel level
surface	✓	appr	Pei-Ming Zheng	2014/10/13	title	3P + 16S + 11P	dwg no	51940-432	rev	B
		linear	0.X	±0.5		VERTICAL SOLDER RECEPT		Product - Customer Drw		sheet 1 of 4
	angular	0°	±2°	www.fci.com		cat. no.	*	STATUS:Released		Printed: Oct 13, 2014

PRODUCT NUMBER

51940-432__
NOTE: 3

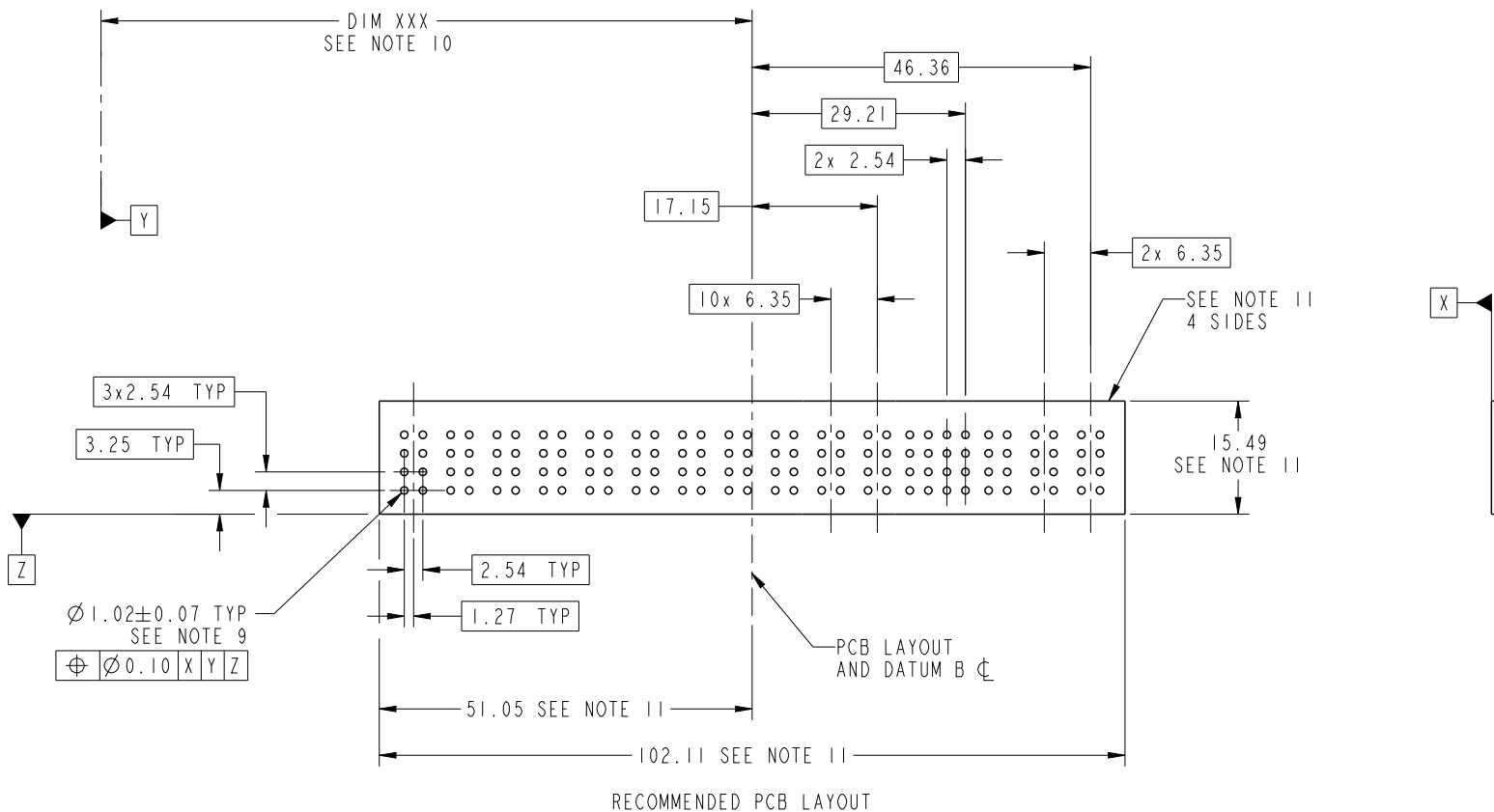


Copyright FCI.

dr	Shi Guang	2012/05/03	projection 	MM 	size	A4	scale	1:1			
eng	Luo Weller	2014/10/13			ecn no	ELX-DG-15094-1					
chr	-	-			product family	PwrBlade	rel level	Released			
appr	Pei-Ming Zheng	2014/10/13			title	3P + 16S + 11P VERTICAL SOLDER RECEPT		dwg no	51940-432	rev	B
www.fci.com		cat. no.	*	Product - Customer Drw			sheet 2 of 4				

PRODUCT NUMBER

51940-432__
NOTE: 3



Copyright FCI.

dr	Shi Guang	2012/05/03	projection 	MM 	size	A4	scale	1:1
eng	Luo Weller	2014/10/13			ecn no	ELX-DG-15094-1		
chr	-	-			rel level	Released		
appr	Pei-Ming Zheng	2014/10/13	product family	PwrBlade				
	title	3P + 16S + 11P VERTICAL SOLDER RECEPT		dwg no	51940-432		rev	B
www.fci.com	cat. no.	*	Product - Customer Drw			sheet 3 of 4		

PRODUCT NUMBER

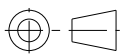
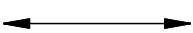

51940-432__
NOTE: 3

NOTES:

1. DIMENSIONS AND TOLERANCES ARE IN ACCORDANCE WITH ASME Y14.5M, 1994 UNLESS OTHERWISE SPECIFIED.

CONNECTOR NOTES:

- 2 HOUSING MATERIAL: UL 94 V-0 GLASS FILLED HIGH-TEMP THERMOPLASTIC
POWER CONTACT MATERIAL: COPPER ALLOY
SIGNAL PIN MATERIAL: COPPER ALLOY
- 3. SEE ITEM 5 & 6 IN PRINT 10064183 FOR PLATING SPEC OF 51940-432 AND 51940-432LF RESPECTIVELY.
- 4 MANUFACTURER'S NAME, DATE CODE AND OPTIONAL P/N TO APPEAR ON THIS SURFACE. THE P/N CAN BE OMITTED IF THERE IS NOT ENOUGH SPACE ON THIS SURFACE.
- 5. PRODUCT SPECIFICATION GS-12-149.
APPLICATION SPECIFICATION BUS-20-067.
- 6. PACKAGED IN TRAYS.
- PCB NOTES:
- 7. ALL HOLE DIAMETERS ARE FINISHED HOLE SIZE.
- 8 MOUNTING HOLES, WHERE APPLICABLE, ARE UNPLATED.
- 9 $\varnothing 1.151 \pm 0.025$ DRILLED HOLES PLATED WITH
0.008 MIN SnPb OR Sn OVER 0.03
TO 0.08 Cu PLATING TO ACHIEVE
 $\varnothing 1.02 \pm 0.07$ HOLE.
- 10 "DIM XXX" TO BE DETERMINED BY THE CUSTOMER.
- 11 CONNECTOR KEEP-OUT ZONE.
- 12. THE VOID CORING IN BETWEEN POWER MODULES, SIGNAL MODULES AND END MODULES ARE OPTIONAL AND THE SHAPE MAY BE DIFFERENT FOR OPTIMIZE THE MOLDING PROCESS. THE VOID CORING WILL NOT EFFECT TO PRODUCT FUNCTION.

dr	Shi Guang	2012/05/03	projection 	MM 	size	A4	scale	1:1			
eng	Luo Weller	2014/10/13			ecn no	ELX-DG-15094-1					
chr	-	-			product family	PwrBlade	rel level	Released			
appr	Pei-Ming Zheng	2014/10/13			title	3P + 16S + 11P VERTICAL SOLDER RECEPT		dwg no	51940-432	rev	B
www.fci.com		cat. no.	*	Product - Customer Drw			sheet 4 of 4				