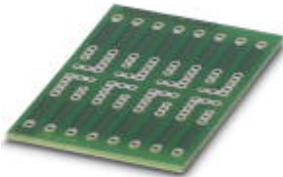



Electronic housing - P 1-EMG 45 - 2946243

Please be informed that the data shown in this PDF Document is generated from our Online Catalog. Please find the complete data in the user's documentation. Our General Terms of Use for Downloads are valid (<http://download.phoenixcontact.com>)

PCB for assembling electronic components



Key commercial data

Packing unit	1 PCE
GTIN	 4 017918 082208
Weight per Piece (excluding packing)	8.7 GRM
Custom tariff number	85340019
Country of origin	Germany

Technical data

Product type	PCB
--------------	-----

Classifications

eCl@ss

eCl@ss 4.0	27180401
eCl@ss 4.1	27180401
eCl@ss 5.0	27180506
eCl@ss 5.1	27180506
eCl@ss 6.0	27180802
eCl@ss 7.0	27182702
eCl@ss 8.0	27182702

Electronic housing - P 1-EMG 45 - 2946243

Classifications

ETIM

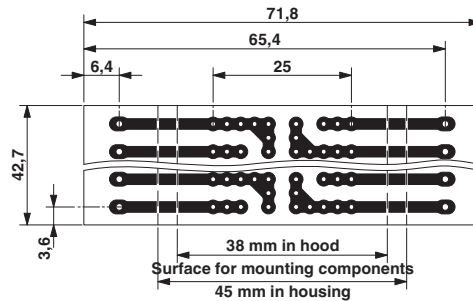
ETIM 2.0	EC001031
ETIM 3.0	EC001031
ETIM 4.0	EC001031
ETIM 5.0	EC001031

UNSPSC

UNSPSC 6.01	31261501
UNSPSC 7.0901	31261501
UNSPSC 11	31261501
UNSPSC 12.01	31261501
UNSPSC 13.2	31261501

Drawings

Dimensioned drawing



Pitch 5.08 mm

a = Area for mounting components, 38 mm in the hood
b = Area for mounting components, 45 mm in the housing