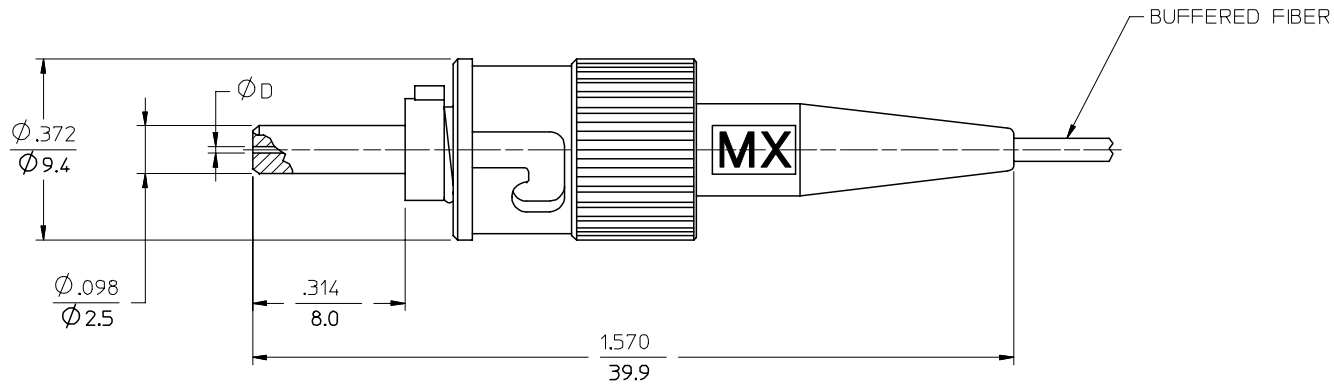


CONNECTOR P/N	D (µm)	MATERIAL OF FERRULE	CABLE TYPE
106012-0500	127	Zr PLUS	MULTIMODE
106012-0510*			
106012-2500	125.5	Zr	SINGLE MODE
106012-2510			MULTIMODE
106012-3500	128		MULTIMODE
106012-5500	126		SINGLE MODE
106012-5510*	127		
106012-7500			



NOTES:

- ALL DIMENSIONS ARE FOR REFERENCE ONLY.
- P/N 106012-0510 AND P/N 106012-5510 ARE BULK PACKED IN QUANTITIES OF 100 PCS.

ENTER DESCRIPTION EC NO: MF2006-0424 DRAWN: RPACIFICI 2006/01/24 CHKD: 2006/01/24 APPR: IGUMIN 2006/01/24 REV: B	QUALITY SYMBOLS	GENERAL TOLERANCES (UNLESS SPECIFIED)	DIMENSION STYLE	SCALE	DESIGN UNITS	THIRD ANGLE PROJECTION															
	$\nabla=0$ $\nabla=0$	<table border="1"> <thead> <tr> <th></th> <th>mm</th> <th>INCH</th> </tr> </thead> <tbody> <tr> <td>4 PLACES</td> <td>± ---</td> <td>± ---</td> </tr> <tr> <td>3 PLACES</td> <td>± ---</td> <td>± ---</td> </tr> <tr> <td>2 PLACES</td> <td>± ---</td> <td>± ---</td> </tr> <tr> <td>1 PLACE</td> <td>± ---</td> <td>± ---</td> </tr> </tbody> </table>		mm	INCH	4 PLACES	± ---	± ---	3 PLACES	± ---	± ---	2 PLACES	± ---	± ---	1 PLACE	± ---	± ---	IN/MM	5:1	INCH	
		mm	INCH																		
	4 PLACES	± ---	± ---																		
3 PLACES	± ---	± ---																			
2 PLACES	± ---	± ---																			
1 PLACE	± ---	± ---																			
	<table border="1"> <thead> <tr> <th>DRAWN BY</th> <th>DATE</th> </tr> </thead> <tbody> <tr> <td>RPACIFICI</td> <td>2005/12/22</td> </tr> </tbody> </table>	DRAWN BY	DATE	RPACIFICI	2005/12/22	TITLE	ST BARE FIBER CONNECTOR														
DRAWN BY	DATE																				
RPACIFICI	2005/12/22																				
	<table border="1"> <thead> <tr> <th>APPROVED BY</th> <th>DATE</th> </tr> </thead> <tbody> <tr> <td></td> <td></td> </tr> </tbody> </table>	APPROVED BY	DATE			MATERIAL NO.	DOCUMENT NO.	SHEET NO.													
APPROVED BY	DATE																				
	DRAFT WHERE APPLICABLE MUST REMAIN WITHIN DIMENSIONS	SEE TABLE	SD-106012-X5X0	1 OF 1																	
		THIS DRAWING CONTAINS INFORMATION THAT IS PROPRIETARY TO MOLEX INCORPORATED AND SHOULD NOT BE USED WITHOUT WRITTEN PERMISSION																			