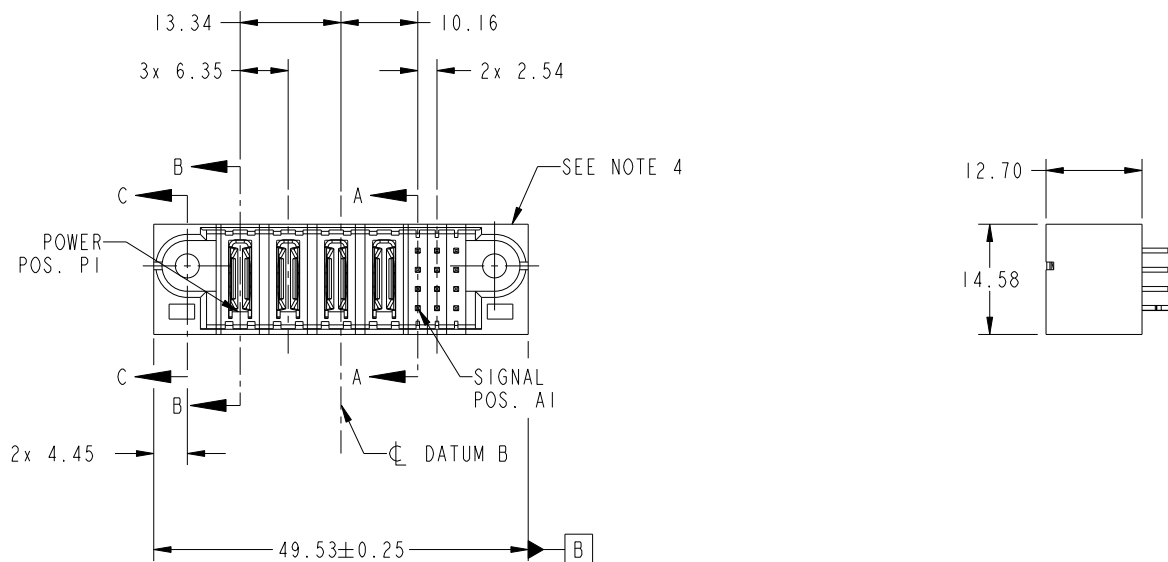


PRODUCT NO.	ROWS	POWER				SIGNAL			E2
		E1	P1	P2	P3	P4	1	2	
51712-021-- NOTE ③	D C B A								



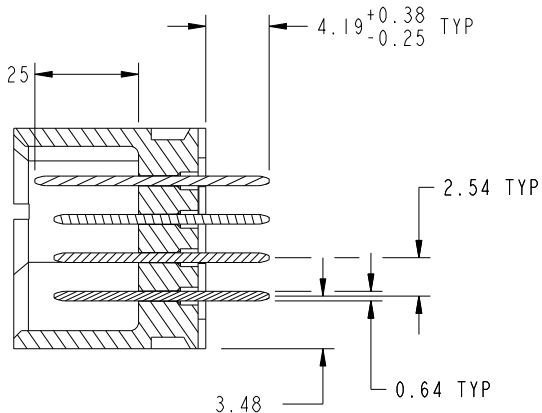
CODE	DIM "M" MATING LENGTH	CONTACT TYPE
PB	[N/A]	POWER
J	[5.59]	SIGNAL
F	[6.86]	SIGNAL
HA	[N/A]	HOLD-DOWN

spec ref	See Notes		dr	De-Ming Lu	2015/01/05	projection 	MM ←→	size	A4	scale	1:1
tolerance std	TOLERANCES UNLESS OTHERWISE SPECIFIED		eng	De-Ming Lu	2015/01/22			ecn no	-		
See Notes			chr	-	-			rel level	Released		
surface	linear	0.X ±0.50	appr	Pei-Ming Zheng	2015/01/22	product family	PwrBlade		rev	A	
		0.XX ±0.25			title	4P + 12S		dwg no	51712-021		
		0.XXX ±0.10	www.fci.com		cat. no.	-		Product - Customer Drw		sheet 1 of 4	
	angular	0° ±2°									

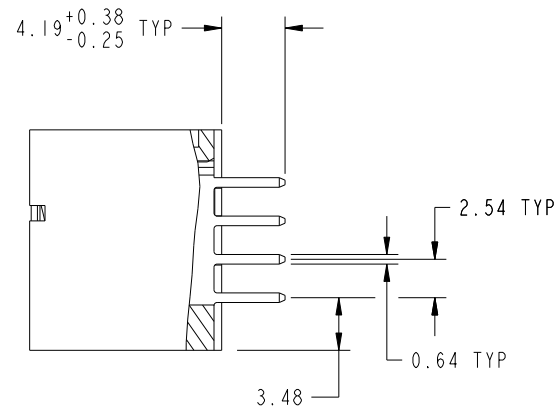
PRODUCT NUMBER

51712-021--
NOTE 3

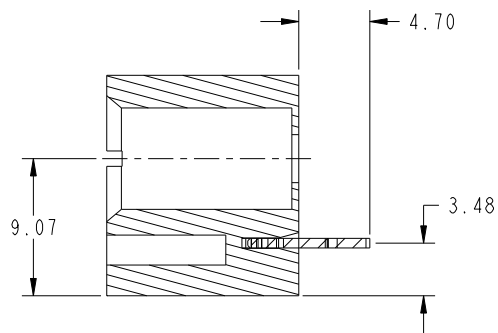
DIM "M" ±0.25



SECTION A-A
SCALE 2:1



SECTION B-B
SCALE 2:1



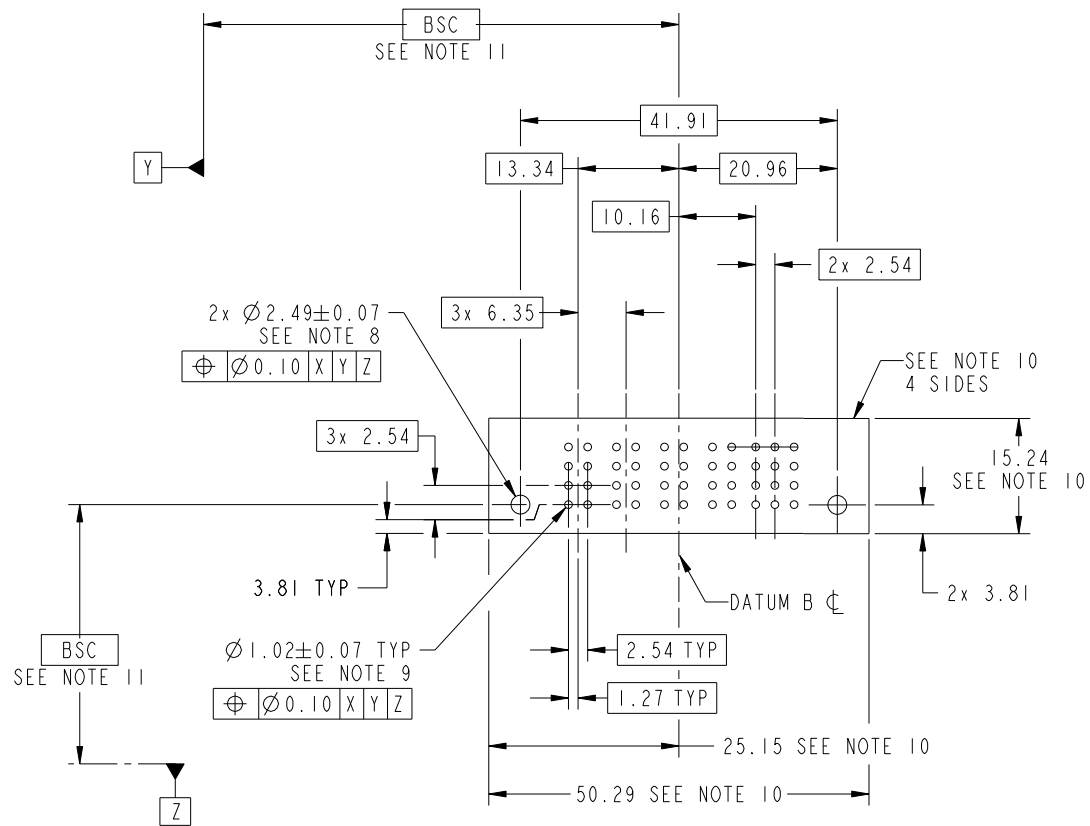
SECTION C-C
SCALE 2:1

dr	De-Ming Lu	2015/01/05	projection 	MM ←————→	size	A4	scale	1:1	
eng	De-Ming Lu	2015/01/22			ecn no	-			
chr	-	-			rel level	Released			
appr	Pei-Ming Zheng	2015/01/22	product family	PwrBlade					
		title	4P + 12S VERTICAL SOLDER HEADER		dwg no	51712-021		rev	A
www.fci.com	cat. no.	-	Product - Customer Drw			sheet 2 of 4			



PRODUCT NUMBER

51712-021__
NOTE 3



RECOMMENDED PCB LAYOUT

dr	De-Ming Lu	2015/01/05	projection 	MM 	size	A4	scale	1:1
eng	De-Ming Lu	2015/01/22			ecn no	-		
chr	-	-			rel level	Released		
appr	Pei-Ming Zheng	2015/01/22	product family	PwrBlade	rev	A		
	title	4P + 12S VERTICAL SOLDER HEADER		dwg no	51712-021			
www.fci.com	cat. no.	-	Product - Customer Drw		sheet 3 of 4			

PRODUCT NUMBER

51712-021--
NOTE 3

NOTES:

1. DIMENSIONS AND TOLERANCES ARE IN ACCORDANCE WITH ASME Y14.5M, 1994 UNLESS OTHERWISE SPECIFIED.

CONNECTOR NOTES:

2 HOUSING MATERIAL: UL 94 V-0 GLASS FILLED HIGH-TEMP THERMOPLASTIC
POWER CONTACT MATERIAL: COPPER ALLOY
SIGNAL PIN MATERIAL: COPPER ALLOY

3. SEE ITEM 1 & 2 IN PRINT 10064183 FOR PLATING SPEC OF 51712-021 AND 51712-021LF RESPECTIVELY.

4 MANUFACTURER'S NAME, DATE CODE AND OPTIONAL P/N TO APPEAR ON THIS SURFACE. THE MARK CAN BE OMITTED IF THERE IS NOT ENOUGH SPACE ON THIS SURFACE.

5. PRODUCT SPECIFICATION GS-12-149.
APPLICATION SPECIFICATION BUS-20-067.

6. PACKAGED IN TRAYS.

PCB NOTES:

7. ALL HOLE DIAMETERS ARE FINISHED HOLE SIZE.
8. MOUNTING HOLES, WHERE APPLICABLE, ARE UNPLATED.

9 $\varnothing 1.151 \pm 0.025$ DRILLED HOLES PLATED WITH 0.008 MIN SnPb OR Sn OVER .001 [0.03] TO 0.08 Cu PLATING TO ACHIEVE $\varnothing 1.02 \pm 0.07$ HOLE.

10 CONNECTOR KEEP-OUT ZONE.

11. DATUM AND BASIC DIMENSIONS ARE ESTABLISHED BY CUSTOMER.

dr	De-Ming Lu	2015/01/05	projection 	MM 	size	A4	scale	1:1	
eng	De-Ming Lu	2015/01/22			ecn no	-			
chr	-	-							
appr	Pei-Ming Zheng	2015/01/22	product family	PwrBlade	rel level	Released			
		title	4P + 12S VERTICAL SOLDER HEADER		dwg no	51712-021		rev	A
www.fci.com	cat. no.	-	Product - Customer Drw			sheet 4 of 4			



Copyright FCI.