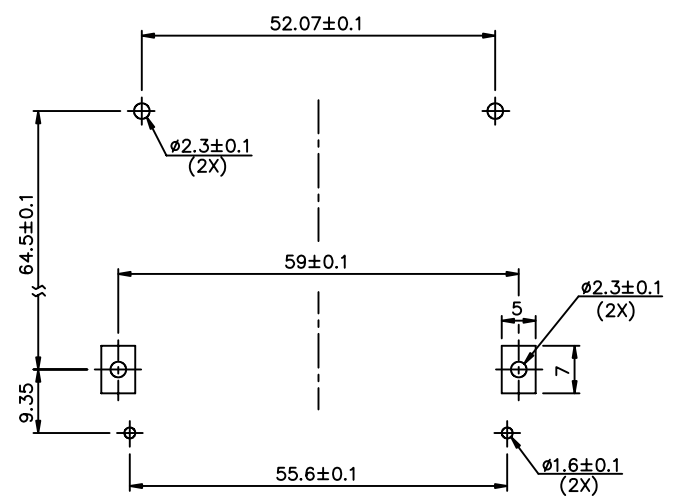
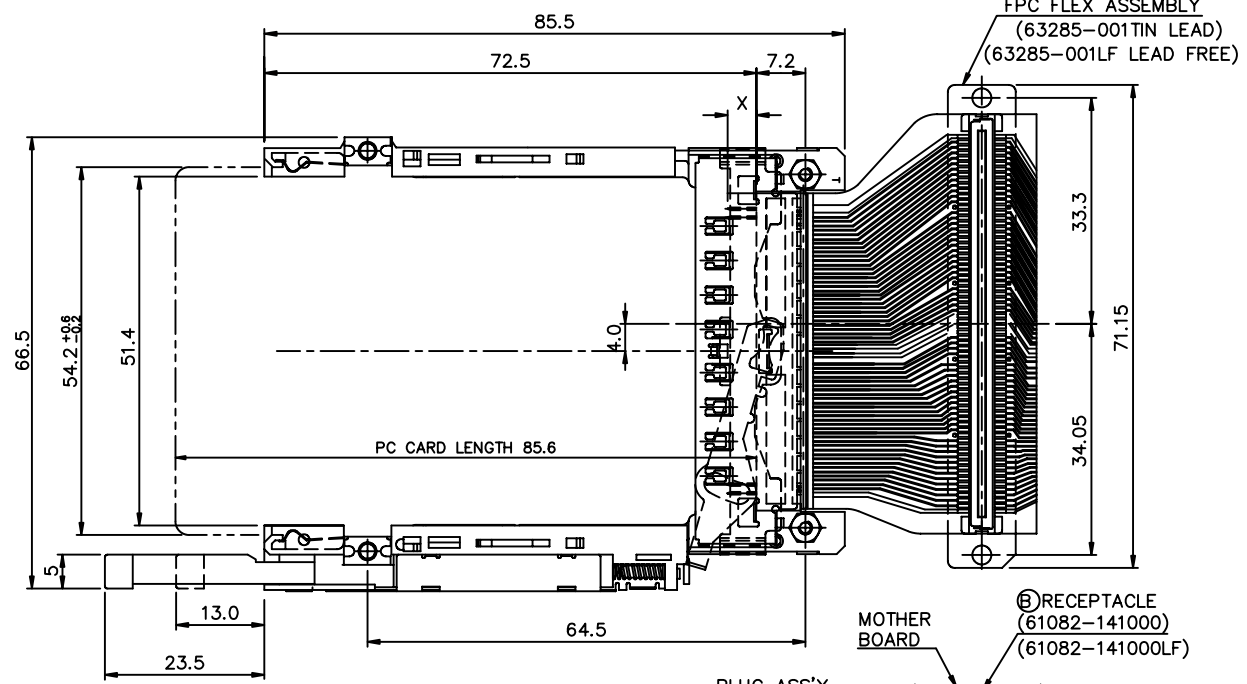
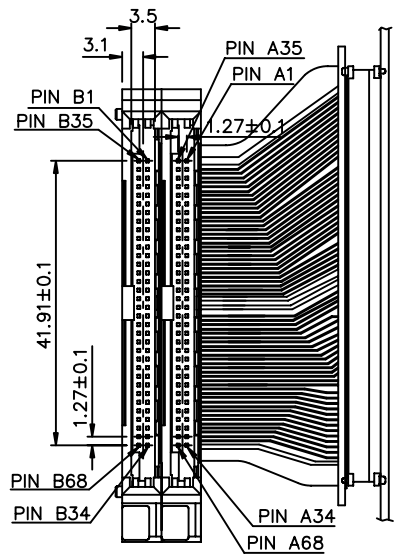


FCI CONFIDENTIAL

FCI  
FCIconnect.com

This document is the property of and embodies CONFIDENTIAL and PROPRIETARY information of FCI. No part of the information shown on this document may be used in any way or disclosed to others without the written consent of FCI. Copyright FCI.

PRODUCT NO.	52318-700CAS
	52318-700CASLF



BOARD VIEW FROM CONNECTOR MOUNTED SIDE

mat'l. code	surface	tolerance	projection	product family
	ISD 1302	ISD 406 ISD 110		PCMCIA
ltr ecn no dr date	tolerances unless otherwise specified			title
A T90232 W L 06/15/99	angles	linear	MM	FPC CARDBUS EJ HEADER
B T90338 W L 09/30/99				2-STEP, TYPE 1/2/3
C N040105 W B 11/26/04	±2'		scale 1:3:1	
D N06-0174 M Z 07/03/06	chr	Mike Zhou 07/03/06		dwg no
	enr	Mike Zhou 07/03/06		sheet 1 of 2
	chr	David Qin 07/03/06		size
	app	Jack Wang 07/03/06		A4
				type CUSTOMER Drawing
sheet index	revision sheet	D 1	D 2	

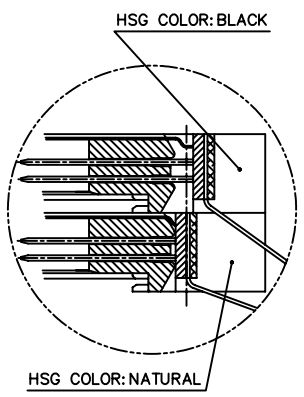
FCI CONFIDENTIAL

FCI

This document is the property of and embodies CONFIDENTIAL and PROPRIETARY information of FCI. No part of the information shown on this document may be used in any way or disclosed to others without the written consent of FCI. Copyright FCI.

HEADER PINOUT	TYPE	BTB 140 POS RECEPTACLE	HEADER PINOUT	TYPE	BTB 140 POS RECEPTACLE	HEADER PINOUT	TYPE	BTB 140 POS RECEPTACLE	HEADER PINOUT	TYPE	BTB 140 POS RECEPTACLE
A1	GND	1	A35	GND	1	B1	GND	71	B35	GND	71
A2	SIG	3	A36	CD	2	B2	SIG	73	B36	CD	72
A3	SIG	5	A37	SIG	4	B3	SIG	75	B37	SIG	74
A4	SIG	7	A38	SIG	6	B4	SIG	77	B38	SIG	76
A5	SIG	9	A39	SIG	8	B5	SIG	79	B39	SIG	78
A6	SIG	11	A40	SIG	10	B6	SIG	81	B40	SIG	80
A7	SIG	13	A41	SIG	12	B7	SIG	83	B41	SIG	82
A8	SIG	16	A42	SIG	15	B8	SIG	86	B42	SIG	85
A9	SIG	18	A43	SIG	17	B9	SIG	88	B43	SIG	87
A10	SIG	20	A44	SIG	19	B10	SIG	90	B44	SIG	89
A11	SIG	22	A45	SIG	21	B11	SIG	92	B45	SIG	91
A12	SIG	24	A46	SIG	23	B12	SIG	94	B46	SIG	93
A13	SIG	26	A47	SIG	25	B13	SIG	96	B47	SIG	95
A14	SIG	29	A48	SIG	27	B14	SIG	99	B48	SIG	97
A15	SIG	31	A49	SIG	30	B15	SIG	101	B49	SIG	100
A16	SIG	33	A50	SIG	32	B16	SIG	103	B50	SIG	102
A17	VCC	34	A51	VCC	34	B17	VCC	104	B51	VCC	104
A17	VCC	35	A51	VCC	35	B17	VCC	105	B51	VCC	105
A18	VPP	36	A52	VPP	36	B18	VPP	106	B52	VPP	106
A18	VPP	37	A52	VPP	37	B18	VPP	107	B52	VPP	107
A19	SIG	39	A53	SIG	38	B19	SIG	109	B53	SIG	108
A20	SIG	41	A54	SIG	40	B20	SIG	111	B54	SIG	110
A21	SIG	44	A55	SIG	43	B21	SIG	114	B55	SIG	113
A22	SIG	46	A56	SIG	45	B22	SIG	116	B56	SIG	115
A23	SIG	48	A57	SIG	47	B23	SIG	118	B57	SIG	117
A24	SIG	50	A58	SIG	49	B24	SIG	120	B58	SIG	119
A25	SIG	52	A59	SIG	51	B25	SIG	122	B59	SIG	121
A26	SIG	54	A60	SIG	53	B26	SIG	124	B60	SIG	123
A27	SIG	57	A61	SIG	55	B27	SIG	127	B61	SIG	125
A28	SIG	59	A62	SIG	58	B28	SIG	129	B62	SIG	128
A29	SIG	61	A63	SIG	60	B29	SIG	131	B63	SIG	130
A30	SIG	63	A64	SIG	62	B30	SIG	133	B64	SIG	132
A31	SIG	65	A65	SIG	64	B31	SIG	135	B65	SIG	134
A32	SIG	67	A66	SIG	66	B32	SIG	137	B66	SIG	136
A33	SIG	69	A67	CD	68	B33	SIG	139	B67	CD	138
A34	GND	70	A68	GND	70	B34	GND	140	B68	GND	140

SHIELD PINOUT	TYPE	BTB 140 POS RECEPTACLE	SHIELD PINOUT	TYPE	BTB 140 POS RECEPTACLE
	GND	14		GND	84
		28			98
		42			112
		56			126

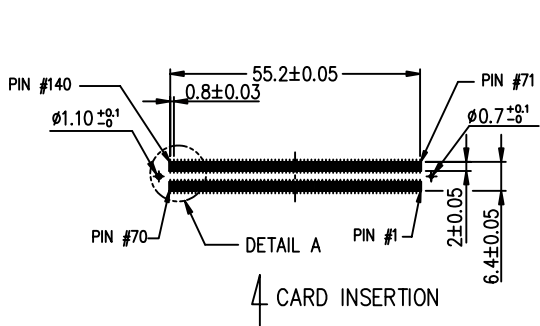


DETAIL B

NOTES:

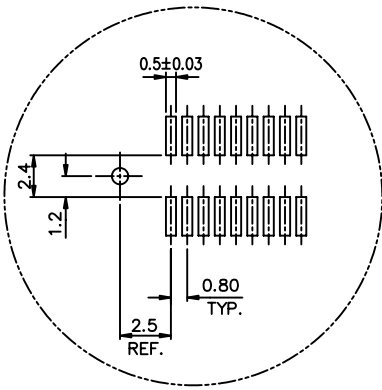
- 8.0mm MIN CARD EJECT.
- EJECT TRAVEL: 9.50mm
- MATERIAL:
  - 3.1 EJECT HEADER ASS'Y
    - PLASTIC HOUSING: LCP UL94V-0, COLOR: BLACK
    - : LCP UL94V-0, COLOR: NATURAL (REFER DETAIL B)
    - PIN: PHOSPHOR BRONZE
    - FPC: POLYIMIDE(KAPTON OR EQUIV)
    - PLASTIC GUIDE: POLYPHTHARAMID UL94V-0, COLOR: BLACK
    - PLATE: STAINLESS
    - EMI CONTACT: PHOSPHOR BRONZE
  - 3.2 RECEPTACLE
    - PLASTIC: LCP 94V-0 NATURAL
    - PIN: BeCu
- FINISH
  - PIN :
    - UNDER PLATING: 0.5um MIN. Ni
    - CONTACT AREA: 0.1um MIN. GOLD OVER 0.5um MIN. Pd-Ni
    - SOLDER TAIL(TIN LEAD OPTION): 2.5um MIN. Sn-Pb
    - SOLDER TAIL(LEAD FREE OPTION): 2.5um MIN. PURE TIN
  - GROUND SHIELD :
    - UNDER PLATING: 0.75um MIN. Ni
    - CONTACT SURFACE: 0.2um GOLD MIN. OVER PdNi 0.5um MIN.
- PUSH ROD LOCATION AND P.C.B. ARE AS APPEARS INSTALLED
- DIM "X"
 

4.25±0.1	3.5±0.1	5.0±0.1
OTHERS 36,67 1,17,34,35,51,68		
- DO NOT TOUCH AND KEEP CLEAN THE SURFACES OF FPC OF HEADER ASS'Y.
- DO NOT TOUCH AND KEEP CLEAN THE SURFACES OF PCB OF HEADER ASS'Y.
- IF LEAD FREE P/N. THE HOUSING WILL WITHSTAND EXPOSURE TO 260°C PEAK TEMPERATURE FOR 10 SECONDS IN A WAVE SOLDER APPLICATION WITH A 1.00MM MINIMUM THICK CIRCUIT BOARD.
- LEAD FREE PRODUCT MEETS EUROPEAN UNION DIRECTIVES AND OTHER COUNTRY REGULATIONS AS DISCRIBLED IN GS-22-008
- IF LEAD FREE P/N. PACKAGING MEETS GS-14-920 SPECIFICATION



DETAIL A

RECOMMENDED MOTHER BOARD LAYOUT  
 (BERG P/N: 61082-141000 TIN LEAD OPTION)  
 (BERG P/N: 61082-141000LF LEAD FREE OPTION)



DETAIL A

ORDERING INFORMATION		
NAME	PART NO.	Q'TY
Ⓐ EJECT HEADER ASS'Y	52318-700CASLF	1
Ⓑ MATING RECEPTACLE	61082-141000LF	1

ORDERING INFORMATION		
NAME	PART NO.	Q'TY
Ⓐ EJECT HEADER ASS'Y	52318-700CAS	1
Ⓑ MATING RECEPTACLE	61082-141000	1

mat'l. code	surface ISD 1302	tolerance ISD 406 ISD 110	projection	product family PCMCIA
ltr ecn nodr date	tolerances unless otherwise specified			title
D	angles	±0.30	MM	FPC CARDBUS EJ HEADER
	linear		←	2-STEP, TYPE 1/2/3
	±2'		scale 1:1	
dr	Mike Zhou	07/03'06	FCI	dwg no
engr	Mike Zhou	07/03'06		sheet 2 of 2
chr	David Qin	07/03'06		size A4
appr	Jack Wang	07/03'06		type CUSTOMER Drawing

sheet index	revision sheet																		
-------------	----------------	--	--	--	--	--	--	--	--	--	--	--	--	--	--	--	--	--	--