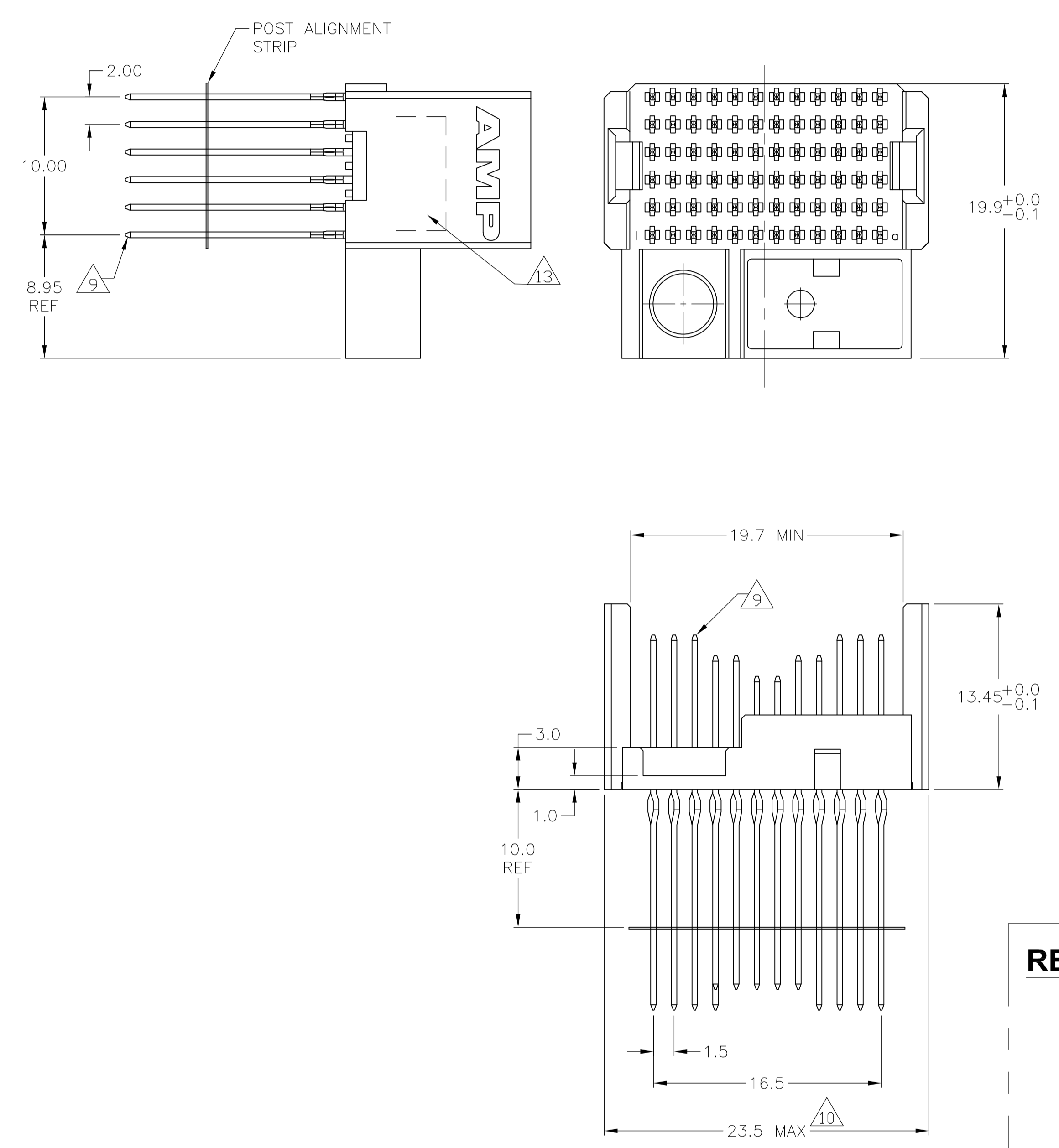
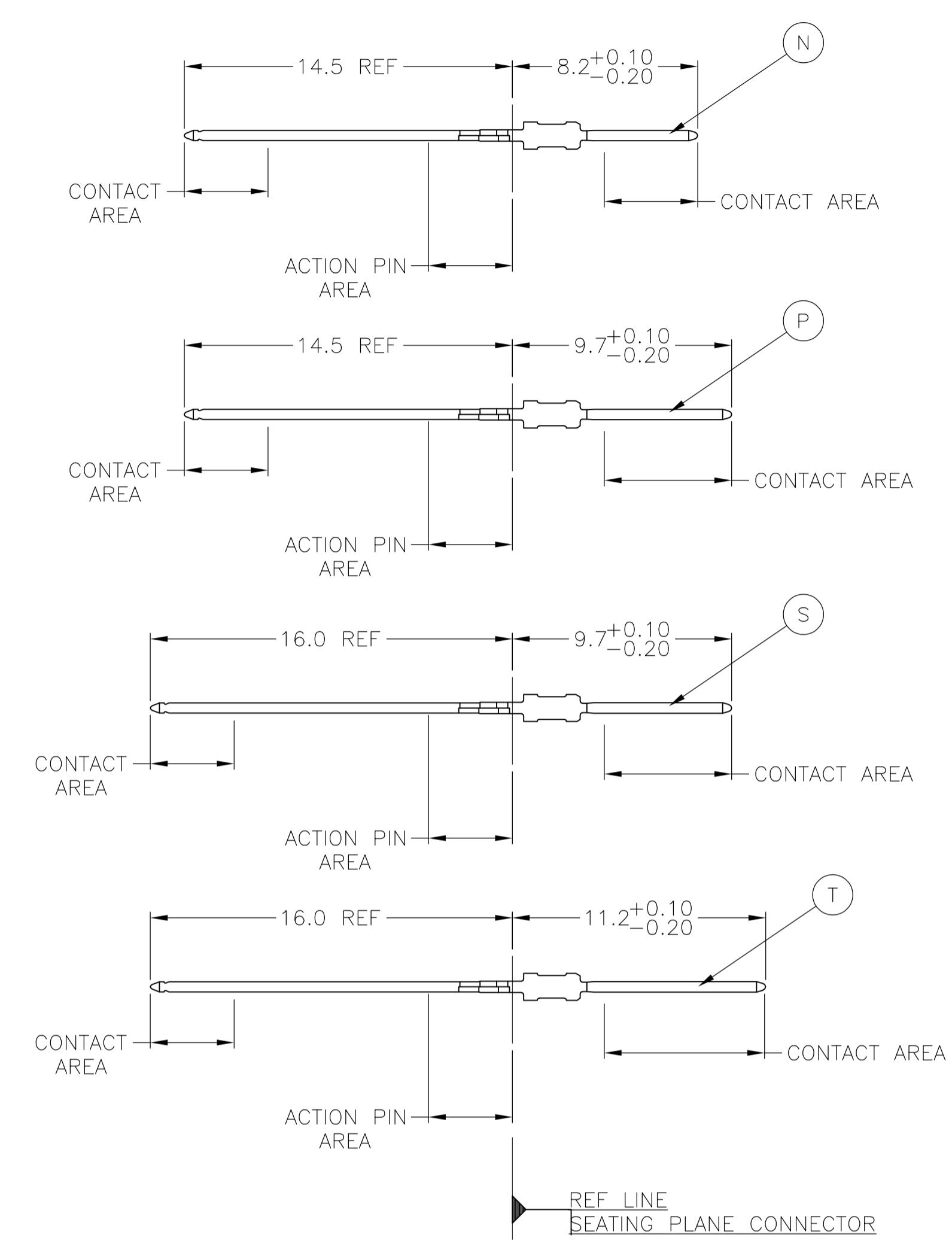


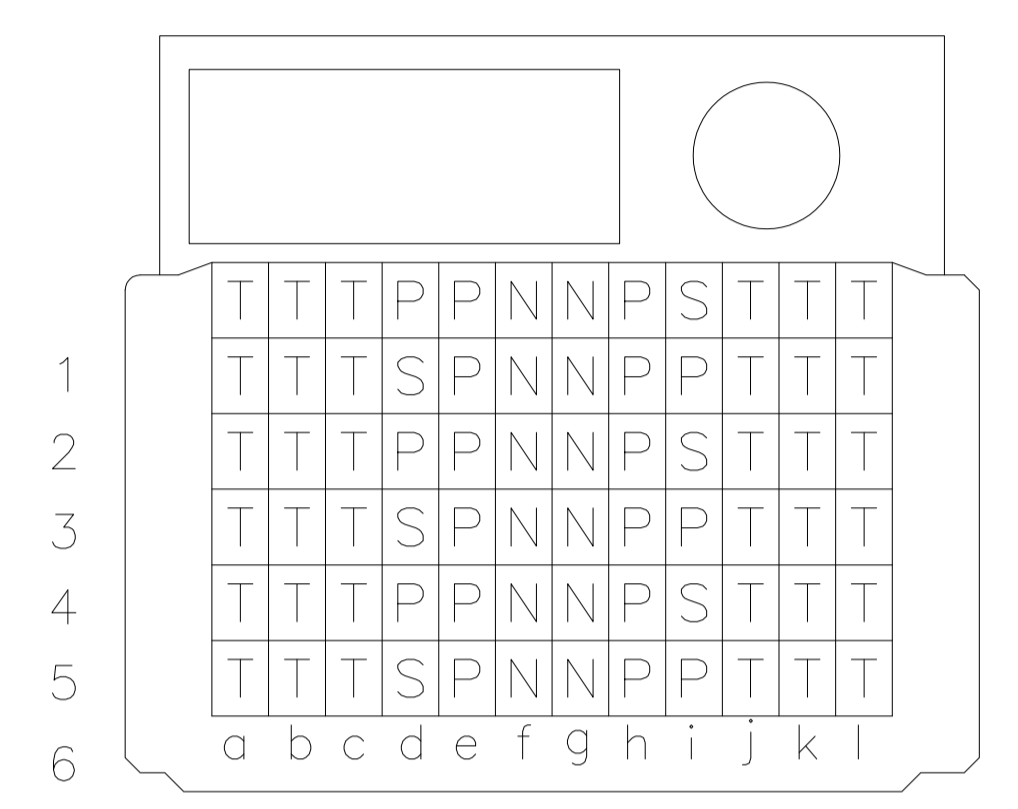
CONNECTOR ASSEMBLY EXAMPLARY LOADED $\triangle 8$



CONTACT DIMENSIONS SCALE 5:1

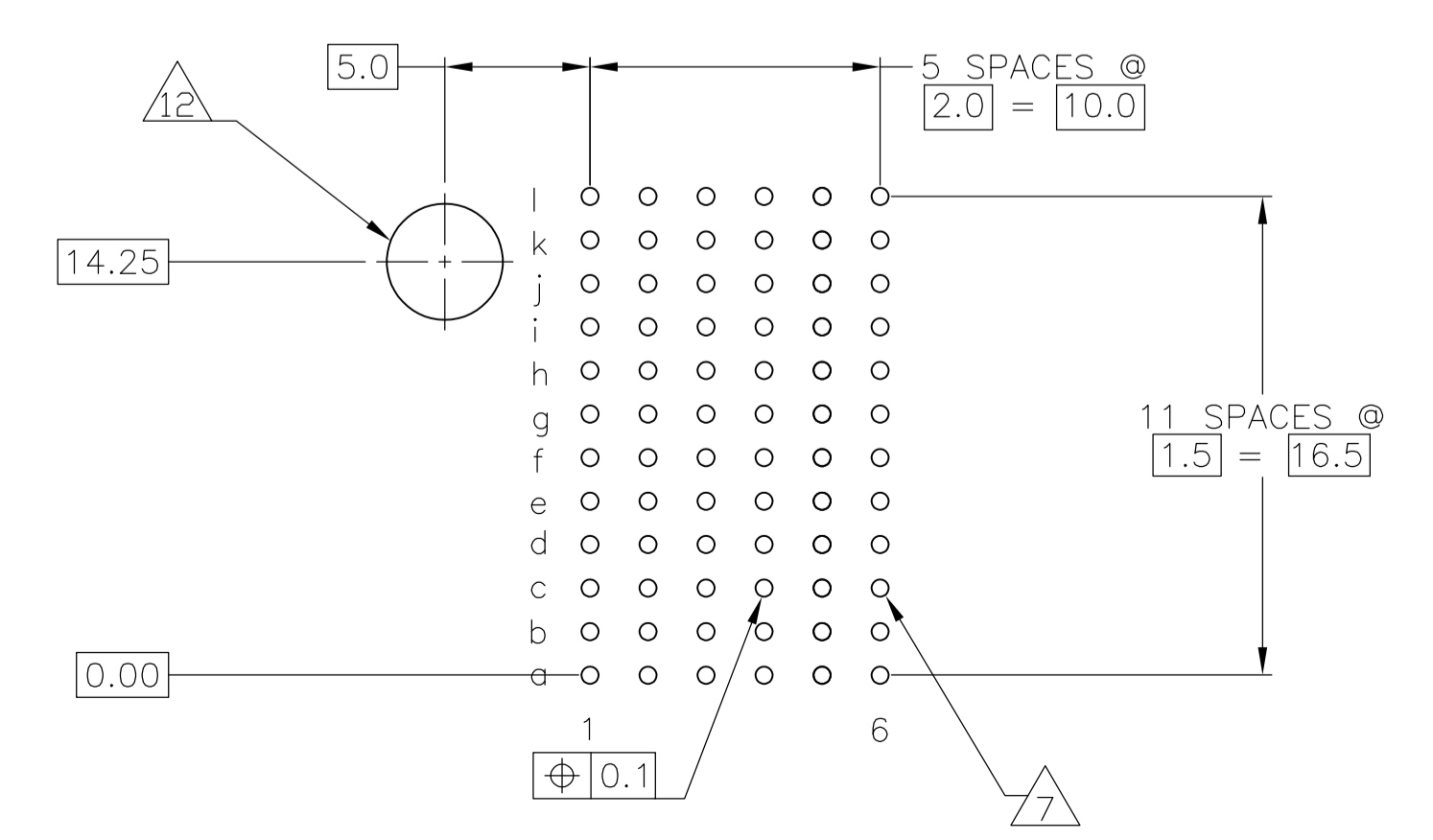


CONTACT LAYOUT



RECOMMENDED PCB-HOLE LAYOUT COMPONENT SIDE SHOWN

PLATED THRU HOLES PARAMETERS REFERENCE APPLICATION SPECIFICATION




$\triangle 2$ $\triangle 3$	1645561-1
FINISH	PART NUMBER

THIS DRAWING IS A CONTROLLED DOCUMENT.		DIN RAYMOND CAO 31MAR11		TE Connectivity	
DIMENSIONS: mm		CHK SANDERS YAN 31MAR11		NAME	
TOLERANCES UNLESS OTHERWISE SPECIFIED:		APPD MANQIAN WANG 31MAR11		PRODUCT SPEC	
0-PLC ±		NAME		MALE ASSEMBLY, Z-PACK 2mm HM, LEFT HAND, 12 ROW	
1-PLC ±0.1		APPLICATION SPEC		108-1738	
2-PLC ±		APPLICATION SPEC		114-1132	
3-PLC ±		WEIGHT		A1 00779 C=1645561	
4-PLC ±		MATERIAL		CUSTOMER DRAWING	
ANGLES		FINISH		SCALE 4:1 SHEET 1 OF 2 REV A	
SEE TABLE		RESTRICTED TO			

THIS DRAWING IS UNPUBLISHED. RELEASED FOR PUBLICATION
 © COPYRIGHT - By - ALL RIGHTS RESERVED.

LOC		DIST		REVISIONS				
ES	00	REV	LYR	DESCRIPTION	DATE	DN	APVD	
-	-	-	-	SEE SHEET 1	-	-	-	

- 1 MATERIAL:
CONTACT: PHOSPHOR BRONZE.
HOUSING: GLASS-FILLED POLYESTER.
- 2 GENERAL PLATING SPECIFICATION: UNDERPLATING
(ENTIRE CONTACT): 1.27µm MIN NICKEL AND ACTION
PIN: 0.5µm MIN TIN.
FOR PLATING OF MATING SURFACES SEE APPLICABLE
SPECIFICATION REFERENCE FOR EACH DASH NUMBER.
- 3 CONFORMS TO ALL TESTING ACCORDING TO IEC 61076-4-101
PERFORMANCE LEVEL 2.
- 4 CONFORMS TO ALL TESTING ACCORDING TO IEC 61076-4-101
PERFORMANCE LEVEL 1.
- 5 CONNECTOR TESTED AND QUALIFIED AGAINST TELCORDIA GR-1217-CORE QUALITY LEVEL 3,
CENTRAL OFFICE APPLICATIONS.
- 6 CONNECTOR TESTED AND QUALIFIED AGAINST TELCORDIA GR-1217-CORE QUALITY LEVEL 3,
UNCONTROLLED ENVIROMENT APPLICATIONS.
- 7 PLATED-THROUGH HOLES AT 2x1.5mm SQUARE GRID
PATTERN DEFINED BY CONTACT LAYOUT.
- 8 FOR ACTUAL PIN LOADING SEE "CONTACT LAYOUT".
- 9 FOR ACTUAL PIN DIMENSIONS SEE "CONTACT DIMENSIONS".
- 10 TO BE MEASURED AT BOTTOM OF SHROUD.
- 11 CONNECTOR LUBRICATED WITH BELCORE APPROVED LUBRICANT,
TECHNICAL REFERENCE: TR-NWT-001217 ISSUE 1, SEP 1992.
- 12 GUIDE PIN HOLE DIAMETER CLEARANCE DEFINED BY CHOICE OF GUIDE PIN.
- 13 CONNECTOR PRINTED WITH PART NUMBER AND DATE CODE,
LOCATED APPROXIMATELY AS SHOWN.

THIS DRAWING IS A CONTROLLED DOCUMENT.		DWN RAYMOND CAO 31MAR11 CHK SANDERS YAN 31MAR11		 TE Connectivity			
DIMENSIONS: mm TOLERANCES UNLESS OTHERWISE SPECIFIED: 0-PLC ± 1-PLC ±0.1 2-PLC ± 3-PLC ± 4-PLC ± ANGLES ±		APVD MANQIAN WANG 31MAR11 PRODUCT SPEC 108-1738 APPLICATION SPEC 114-1132				NAME MALE ASSEMBLY, Z-PACK 2mm HM, LEFT HAND, 12 ROW	
MATERIAL SEE SHEET 1		FINISH SEE SHEET 1		SIZE A1 CAGE CODE 00779 DRAWING NO. 1645561		RESTRICTED TO	
CUSTOMER DRAWING				SCALE 4:1		SHEET 2 OF 2 REV A	