

4

3

2

1

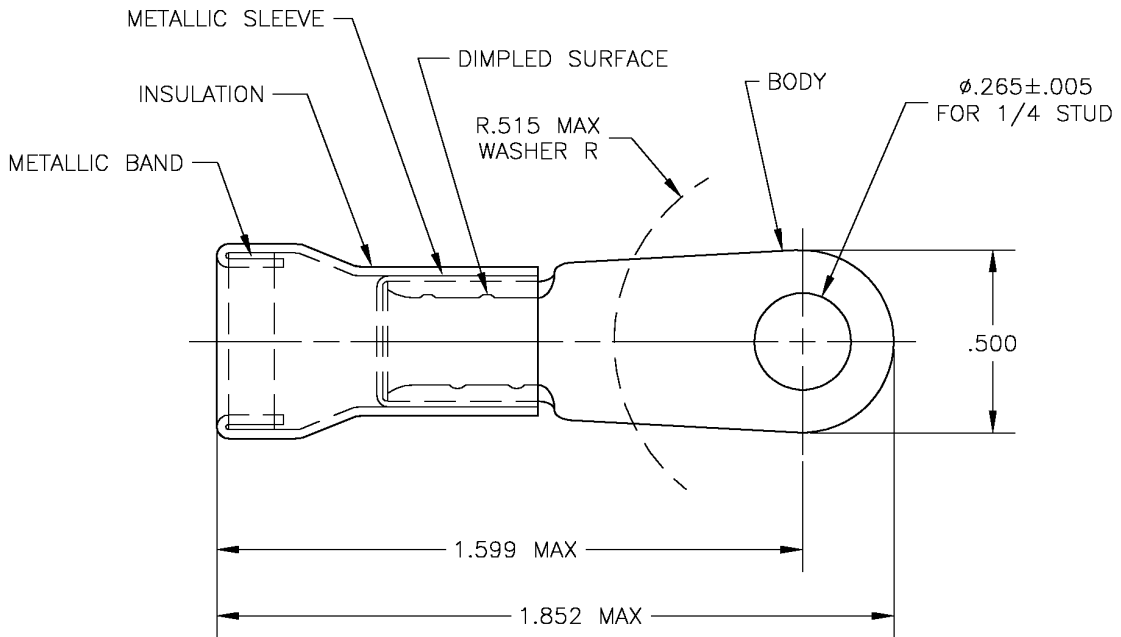
THIS DRAWING IS UNPUBLISHED. RELEASED FOR PUBLICATION  
 © COPYRIGHT BY TYCO ELECTRONICS CORPORATION. ALL RIGHTS RESERVED.

LOC	DIST	REVISIONS			
P	LTR	DESCRIPTION	DATE	DWN	APVD
G	86	K	REDRAWN PER OG3A-0400-04	02JUN04	JR MS

1 TONGUE MATERIAL THICKNESS .045±.003

2 BODY: COPPER PER ASTM B-152  
 TIN PER ASTM B-545  
 INSULATION: PVC, COLOR - BLUE  
 METALLIC SLEEVE: COPPER PER ASTM B-152  
 METALLIC BAND: STEEL PER ASTM A109

3 FOR .377 MAX WIRE INSULATION DIA



P/N ON TAPE	QTY	DESCRIPTION	PART NO
2-322051-2	1	WIRE TERMINAL	322051

THIS DRAWING IS A CONTROLLED DOCUMENT.		DWN jr ruth 02JUN04	Tyco Electronics Corporation Harrisburg, PA 17105	
DIMENSIONS: INCHES		CHK MJ SPICER 02JUN04	NAME TERMINAL, AMPLI-BOND, RING TONGUE WIRE SIZE: 6	
TOLERANCES UNLESS OTHERWISE SPECIFIED:		APVD MJ SPICER 02JUN04	PRODUCT SPEC	RESTRICTED TO
0 PLC ± -		APPLICATION SPEC	SIZE A3	CAGE CODE 00779
1 PLC ± -		WEIGHT	DRAWING NO C=322051	SCALE 3:1
2 PLC ± -			SHEET 1 OF 1	REV K
3 PLC ± .008				
4 PLC ± -				
ANGLES ± 5'				
MATERIAL - 2	FINISH - 2	CUSTOMER DRAWING		