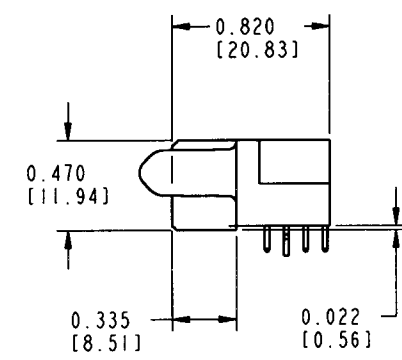
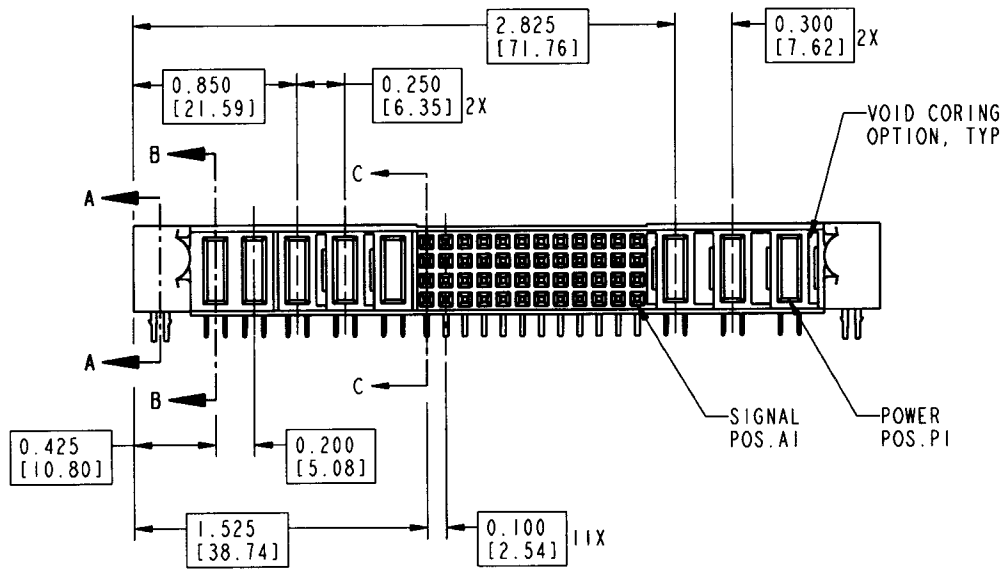
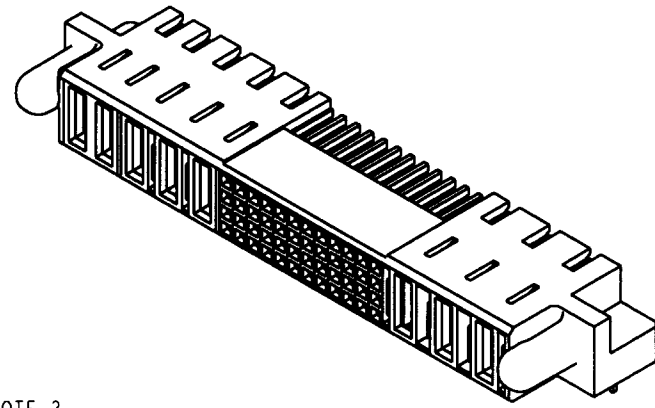
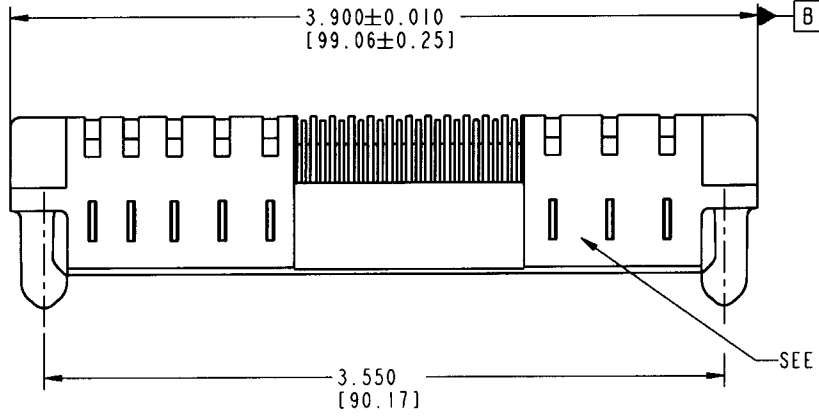


Tous droits strictement réservés. Reproduction ou communication à des tiers interdite sous quelque forme que ce soit sans autorisation écrite du propriétaire. Propriété de c FCI. Droits de reproduction FCI.

All rights strictly reserved. Reproduction or issue to third parties in any form whatever is not permitted without written authority from the proprietor. Property of FCI. Copyright FCI.



PRODUCT NUMBER
51785-001



mat'l code		NOTE 1		tolerances unless otherwise specified		CUSTOMER		ELECTRONICS www.fciconnect.com	
lfr	ecm no.	dr	date	linear	.XX±.01/0.X±0.3	COPY		title	
A	V02393	JRW	10-27-00	angles	.XXX±.005/0.XX±0.13	projection		3ACP + 48S + 5P RIGHT ANGLE RECEPTACLE	
					.XXX±.0020/.XXX±.051			product family	
				dr	0°±Z°	INCH/MM		PWRBLADE	
				enr	C. BAROT 05-07-00	scale		code	
				chr	J. BROWN 05-07-00	1:1		213	
				appd	J. BROWN 05-07-00	A		sheet	
sheet index	revision sheet	A	A	A				1 of 3	
1	2	3							

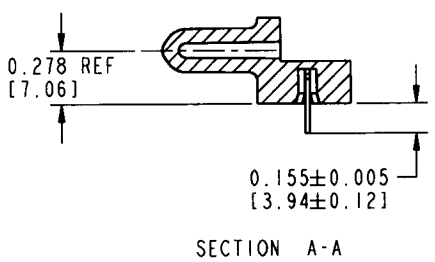
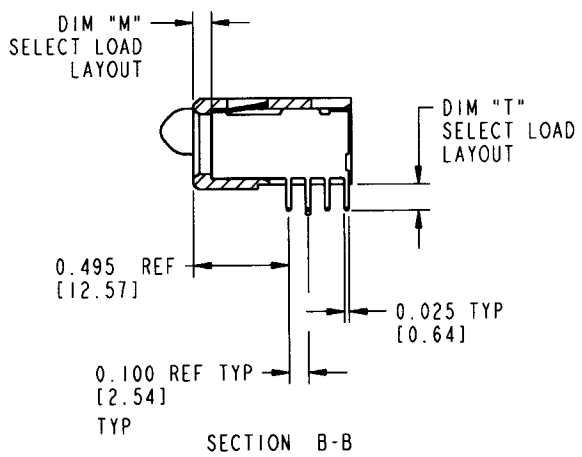
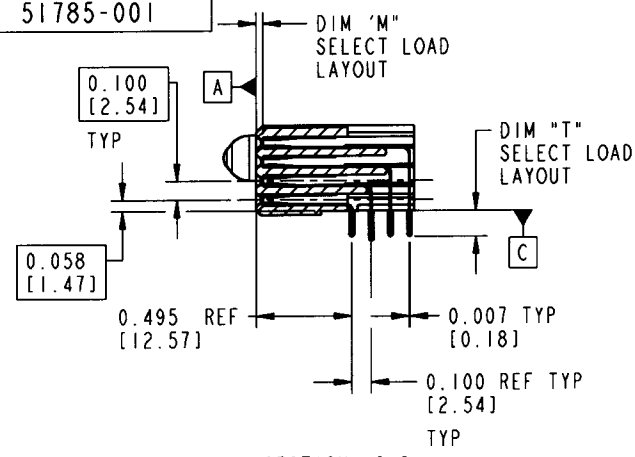
Pro/E

cage code 22526

Tous droits strictement réservés. Reproduction ou communication à des tiers interdite sous quelque forme que ce soit sans autorisation écrite du propriétaire. Propriété de c FCI. Droits de reproduction FCI.

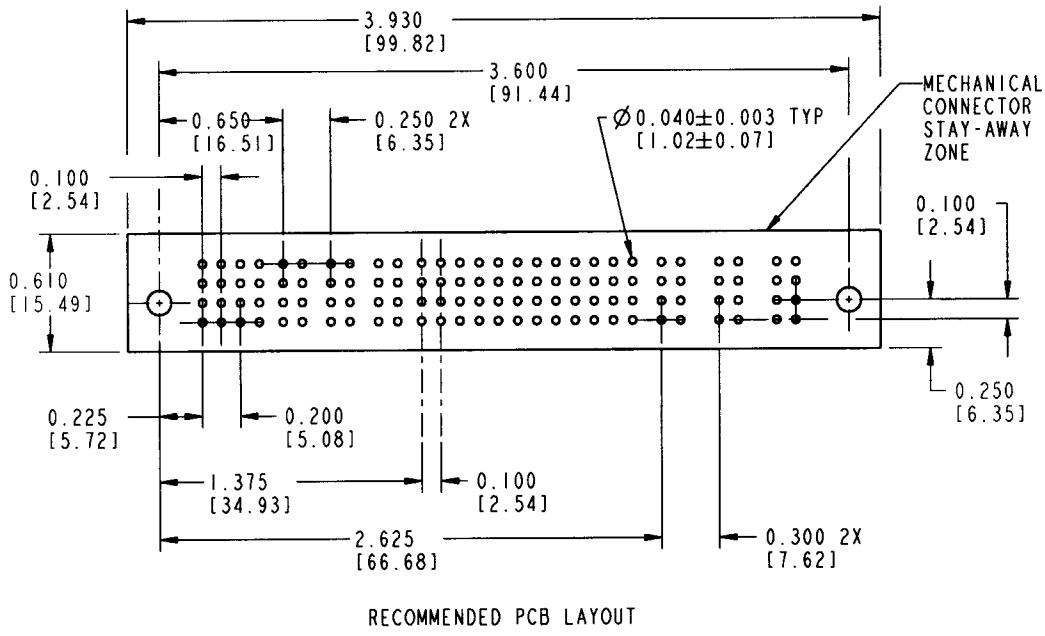
All rights strictly reserved. Reproduction or issue to third parties in any form whatever is not permitted without written authority from the proprietor. Property of FCI. Copyright FCI.

PRODUCT NUMBER
51785-001



- CONNECTORS - NOTES:
- HOUSING MATERIAL: UL 94 V-0 GLASS FILLED HIGH TEMP THERMOPLASTIC
SIGNAL PIN MATERIAL: PHOS. BRONZE
POWER CONTACT MATERIAL: COPPER ALLOY
 - "MANUFACTURER'S" NAME, P/N, AND DATE CODE TO APPEAR ON THIS SURFACE
 - PRODUCT SPECIFICATION GS-12-149 PER GS-01-001.

- PCB - NOTES
- ALL DIMENSIONS ARE BASIC UNLESS OTHERWISE SPECIFIED.
 - ALL THROUGH HOLES ARE LOCATED WITH A TRUE POSITION OF .004
 - ALL HOLE DIAMETERS ARE FINISHED HOLE SIZE
 - Ø 0.098 THROUGH HOLES ARE UNPLATED
 - Ø .0453/1.151 DRILLED HOLES PLATED WITH .0003/.007 MIN SnPb OVER .001/1.03 to .003/.08 PLATING TO ACHIEVE A .080±.003/1.02±.08 HOLE



mat'l code				tolerances unless otherwise specified		CUSTOMER		FCI ELECTRONICS www.fciconnect.com	
ltr	ecr no.	dr	date	linear	projection	COPY		title	
A				.XX±.01/0.XX±0.3	⊕			3ACP + 48S + 5P RIGHT ANGLE RECEPTACLE	
				.XXX±.005/0.XX±0.13				product family	
				.XXX±.0020/.XXX±.051				PWRBLADE	
				angles		INCH/MM		code	
				0°±				213	
				dr	C. BAROT	05-07-00		size	
				engr	J. BROWN	05-07-00		dwg no	
				chr	J. BROWN	05-07-00		A	
				appd	J. BROWN	05-07-00		51785	
sheet index	revision	sheet				scale		1:1	
								2	

Pro/E

PDM: Rev:A

sheet index 213
revision sheet
cage code 22526

Tous droits strictement reserves. Reproduction ou communication a des tiers interdite sous quelque forme que ce soit sans autorisation ecrite du proprietaire. Propriete de c FCI. Droits de reproduction FCI.

All rights strictly reserved. Reproduction or issue to third parties in any form whatever is not permitted without written authority from the proprietor. Property of FCI. Copyright FCI.



PRODUCT NUMBER
51785-001

1 | 2

3 |

4

ITEM NO.	QTY	DIM "M" MATING LENGTH ±.010		DIM "T" TAIL LENGTH ±.010		CONTACT TYPE	PLATING FOR MATING	PLATING FOR TAIL
E	12	N/A	[N/A]	0.135	[3.43]	SIGNAL	30 u'' [.76um]Au	SnPb
F	12	N/A	[N/A]	0.135	[3.43]	SIGNAL	30 u'' [.76um]Au	SnPb
G	12	N/A	[N/A]	0.135	[3.43]	SIGNAL	30 u'' [.76um]Au	SnPb
H	12	N/A	[N/A]	0.135	[3.43]	SIGNAL	30 u'' [.76um]Au	SnPb
PC	7	0.092	[2.34]	0.135	[3.90]	POWER	30 u'' [.76um]Au	SnPb
PA	1	0.042	[1.07]	0.135	[3.90]	POWER	30 u'' [.76um]Au	SnPb
HA	2	N/A	[N/A]	N/A	[N/A]	HOLD-DOWN	N/A [N/A]	SnPb

PRODUCT No.	ROWS	POWER					SIGNAL										POWER			E1						
		E2	P8	P7	P6	P5	P4	12	11	10	9	8	7	6	5	4	3	2	1		P3	P2	P1			
51785-001	D C B A	HA	PC	PC	PC	PC	PC	H	H	H	H	H	H	H	H	H	H	H	H	H	H	H	PA	PC	PC	HA
								G	G	G	G	G	G	G	G	G	G	G	G	G	G	G				
								F	F	F	F	F	F	F	F	F	F	F	F	F	F	F				
								E	E	E	E	E	E	E	E	E	E	E	E	E	E	E				

A

A

mat'l code				tolerances unless otherwise specified				CUSTOMER		ELECTRONICS		www.fciconnect.com		
lfr	ecn no.	dr	date	linear	.XX±.01/0.X±0.3			projection	COPY		title		3ACP + 48S + 5P	
A					.XXX±.005/0.XX±0.13				INCH/MM		product family		PWRBLADE	
					.XXX±.0020/.XXX±.051				scale		size		dwg no	
				angles	0°±2°			1:1		A		51785		
				dr	C. BAROT 05-07-00					code		213		
				enr	J. BROWN 05-07-00					sheet		3		
				chr	J. BROWN 05-07-00					sheet		3		
				appd	J. BROWN 05-07-00					sheet		3		
sheet index	revision													
	sheet													

B

B

1 | 2

Pro/E

3 |

cage code 22526

4

PDM: Rev:A

STATUS: Released

Printed: Oct 07, 2006