

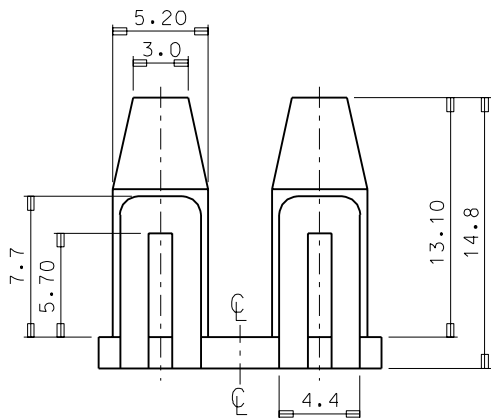
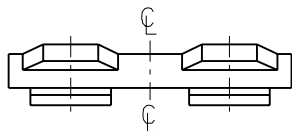
ENG. NO.
SD_35182-029*

EDP NO.

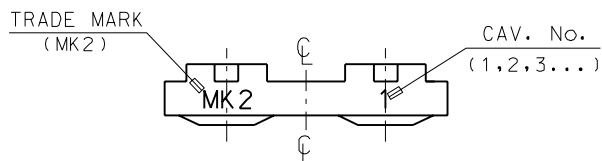
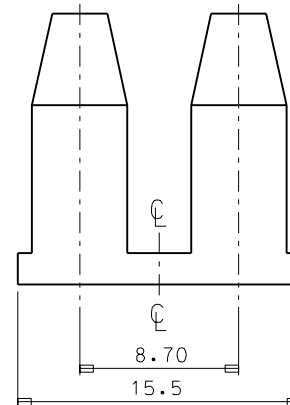
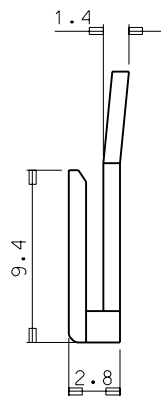
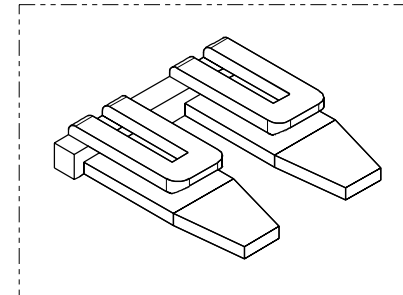
SIMILAR ITEM

PROJECT NO.
.070 MULTI CONN'

8 7 6 5 4 3 2 1



- NOTES
- MATERIAL : NYLON 66 (UL94V-2)
 - COLOR : 35182-0290 (NATURAL)
35182-0292 (RED)
35182-0293 (YELLOW)
35182-0294 (BLUE)
 - MATCHED HOUSING : 35180-040*



				MATERIAL SEE NOTES		molex MOLEX-KOREA CO.,LTD.	
				GENERAL TOLERANCE		DRAWN BY J.S.KANG	
				DIMENSION : ±0.3		CHK'D BY	
				ANGLE : ±1°		APP'D BY	
				DIMENSION CLASSIFICATION		SCALE 4/1	
				▽ : CRITICAL ▼ : MAJOR		TITLE :	
				() : REFERENCE		.070 MULTI MALE HOUSING T.P.A-2P	
A	NEW RELEASED	PDR 94-044	95 9.28	ASS'Y PART		SHEET 1 of 1	
LTR	REVISION RECORD	ECN	DATE	DESCRIPTION ENG. NO.		REV A	
REVISE ONLY ON CAD SYSTEM				---		ENG. NO. SD 35182-029*	