

4

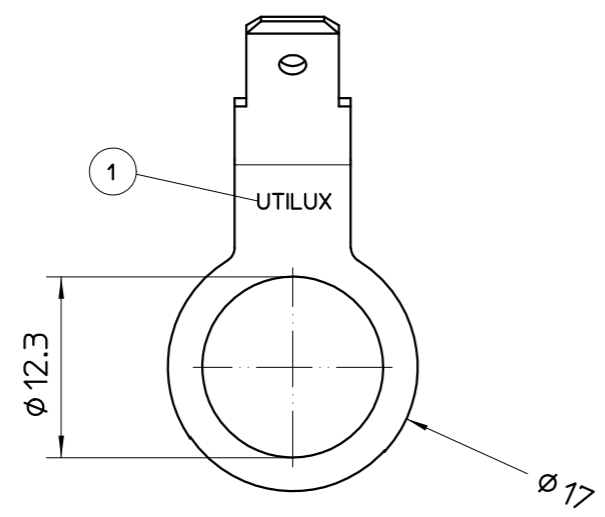
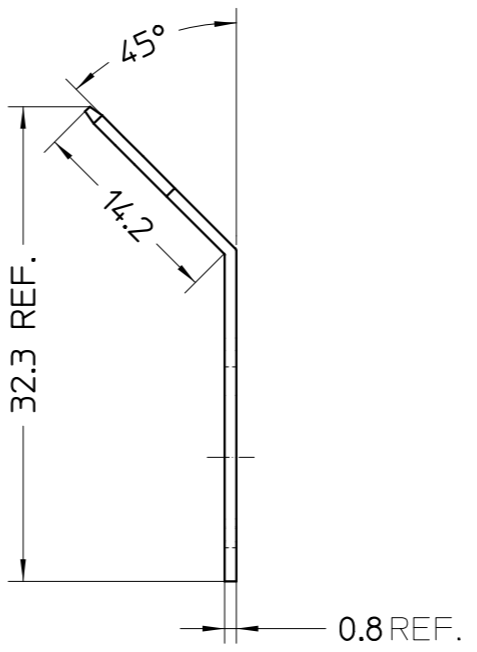
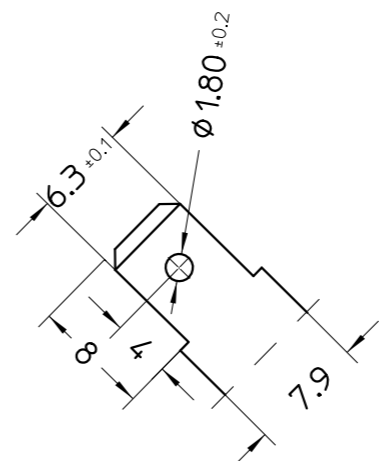
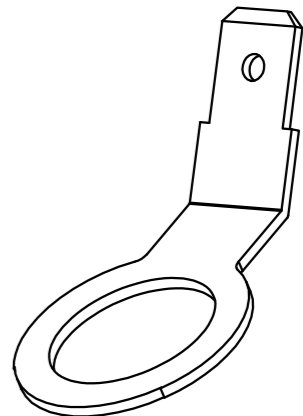
3

2

1

THIS DRAWING IS UNPUBLISHED. RELEASED FOR PUBLICATION  
 © COPYRIGHT BY TYCO ELECTRONICS CORPORATION. ALL RIGHTS RESERVED.

LOC		DIST		REVISIONS			
P	LTR	DESCRIPTION		DATE	DWN	APVD	
U	-	0		REDRAWN, WAS UTILUX 01.03579.02	10-OCT-06	HT	WR



NOTES:  
 1. UTILUX OR AMP LOGO STAMPED AS REQUIRED.

THIS INFORMATION IS CONFIDENTIAL AND PROPRIETARY TO TYCO ELECTRONICS CORPORATION AND ITS WORLDWIDE SUBSIDIARIES AND AFFILIATES. IT MAY NOT BE DISCLOSED TO ANYONE OTHER THAN TYCO ELECTRONICS PERSONNEL WITHOUT WRITTEN AUTHORIZATION FROM TYCO ELECTRONICS CORPORATION, HARRISBURG, PENNSYLVANIA, USA.

THIS DRAWING IS A CONTROLLED DOCUMENT.	
ALL DIMENSIONS IN mm:	TOLERANCES UNLESS OTHERWISE SPECIFIED: DIMENSION (mm) TOLERANCE (+mm) LESS THAN 10 0.4 OVER 10 TO 30 0.5 OVER 30 TO 80 0.7 OVER 80 TO 250 1.0 ANGLES ±2°
MATERIAL REF. BLOCK	FINISH REF. BLOCK

BRASS, PRE-TIN	TAB QC. 6.3 (H3579)	1-1627156-0
MATERIAL	DESCRIPTION (UTILUX P/N)	PART No.
DWN: H.THA1 10.10.06 CHK: W.RIEDE 10.10.06 APVD: W.RIEDE 10.10.06 PRODUCT SPEC: - APPLICATION SPEC: - WEIGHT: -		<b>tyco</b> Tyco Electronics Corporation <b>Electronics</b> AUSTRALIA NAME: TAB, QC 6.3
SIZE A3	CAGE CODE	DRAWING NO ©-1627156
CUSTOMER DRAWING		RESTRICTED TO -
SCALE 2:1	SHEET 1 OF 1	REV 0