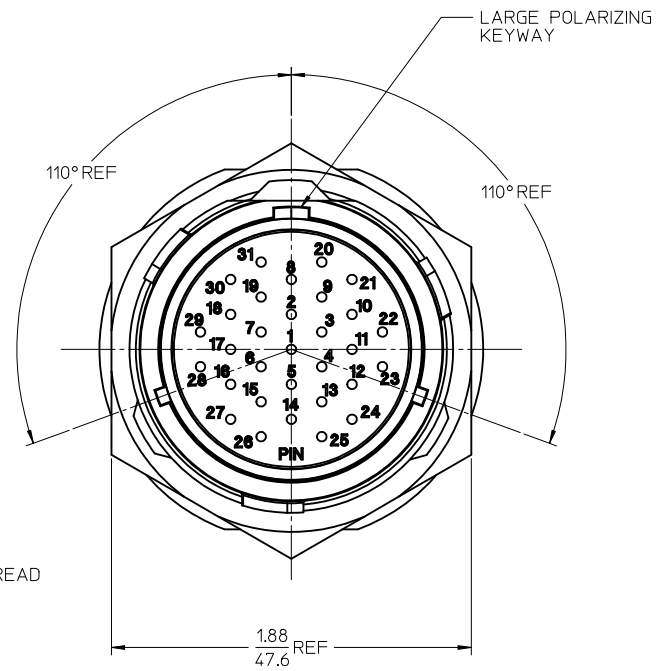
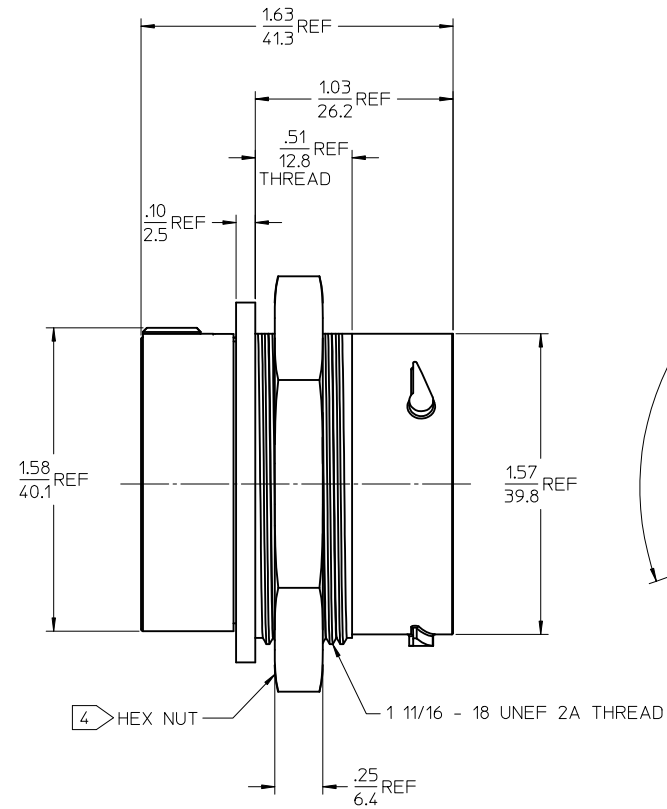
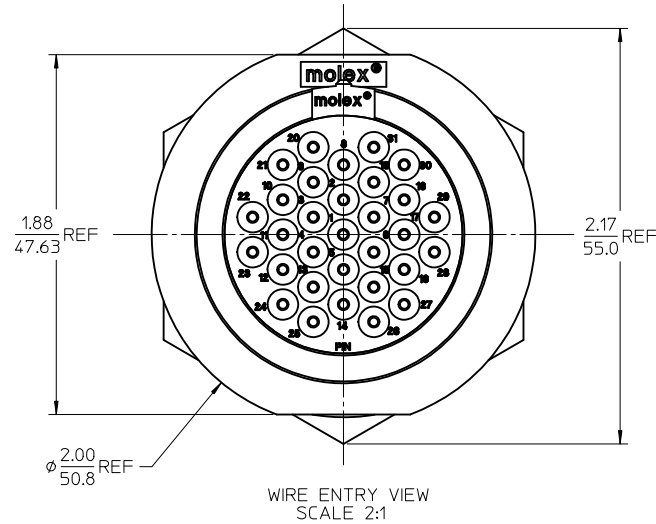
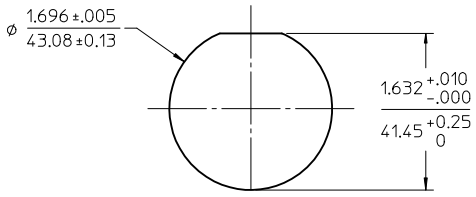
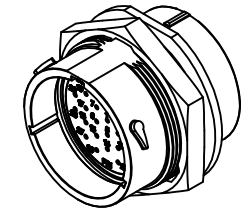
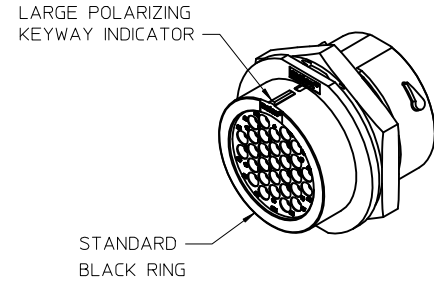


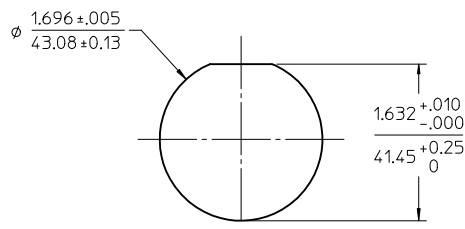
13	12	11	10	9	8	7	6	5	4	3	2	1
MATERIAL NUMBER	WIRE AWG	INSULATION DIA O.D.	RING									
845110004	18-14	.053-.134/1.35-3.40	STD., BLACK									



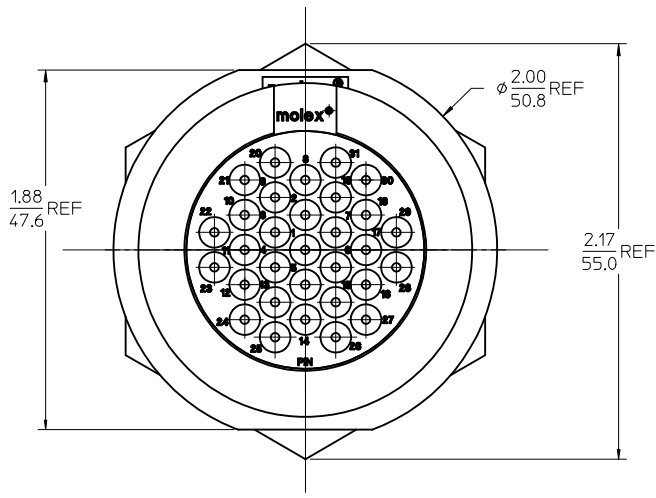
- NOTES:
1. RECOMMENDED PANEL THICKNESS .062/158 TO .187/4.75.
  2. USE CONNECTOR WITH MALE CRIMP TERMINAL SERIES 84524.
  3. MATES WITH PLUG CONNECTOR SERIES 84510.
  4. HEX NUT SOLD SEPARATELY, MOLEX MATERIAL NUMBER 84506-0012.
  5. ASSEMBLY IS ROHS COMPLIANT.
  6. PACKAGED PER PK-84501-001.

REVISE TERM. NOTE EC NO: MNA2011-0406 DRAWN/LEUNG 2011/02/01 CHKD: APPR:DTITUS 2011/02/04	QUALITY SYMBOLS	GENERAL TOLERANCES (UNLESS SPECIFIED)	DIMENSION STYLE	SCALE	DESIGN UNITS	THIRD ANGLE PROJECTION
	▽=0 ▽=0		IN/MM	2:1	INCH	
		mm	DRAWN BY	DATE	RECT. CONNECTOR ASSEMBLY, 24-31 POS PIN TERMINALS	
		INCH	JPAWLICKI	2006/6/5	MOLEX INCORPORATED	
		4 PLACES ± --- ± ---	CHECKED BY	DATE	DOCUMENT NO.	
		3 PLACES ± --- ± ---	JPAWLICKI	2006/6/6	SD-84511-002	
		2 PLACES ± --- ± .015	APPROVED BY	DATE	SHEET NO.	
		1 PLACE ± 0.38 ± ---	RDEROSS	2006/6/7	1 OF 2	
		ANGULAR ± 2 °	MATERIAL NO.	THIS DRAWING CONTAINS INFORMATION THAT IS PROPRIETARY TO MOLEX INCORPORATED AND SHOULD NOT BE USED WITHOUT WRITTEN PERMISSION		
		DRAFT WHERE APPLICABLE MUST REMAIN WITHIN DIMENSIONS	845110004			

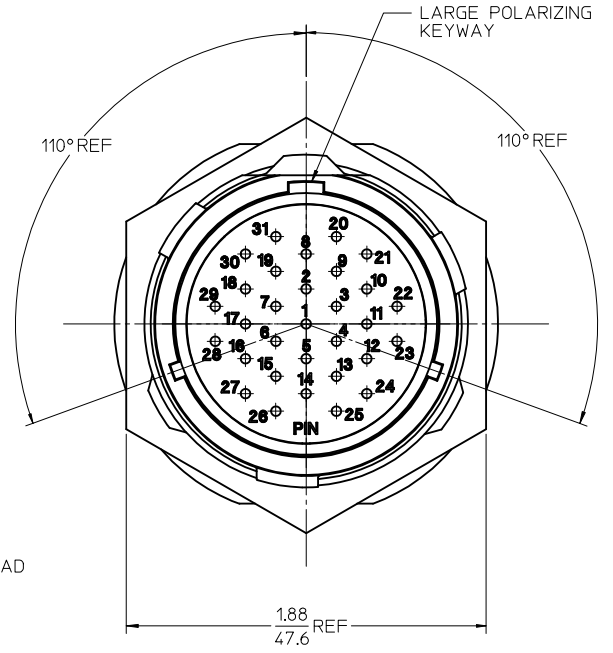
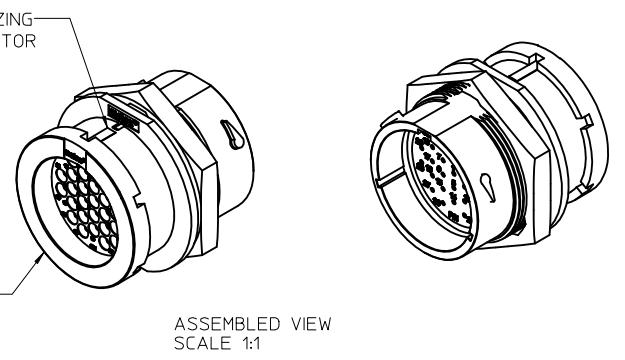
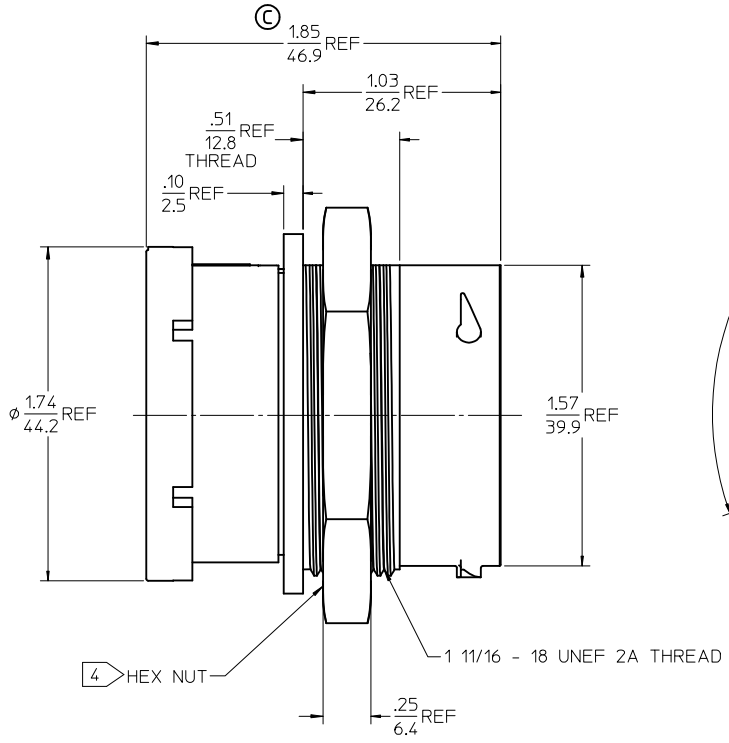
13	12	11	10	9	8	7	6	5	4	3	2	1
MATERIAL NUMBER	WIRE AWG	INSULATION DIA O.D.	RING									
845110005	18-14	.053-.134/1.35-3.40	EXT. LIP, BLACK									



RECOMMENDED MOUNTING HOLE



WIRE ENTRY VIEW  
SCALE 2:1



NOTES:

1. RECOMMENDED PANEL THICKNESS .062/1.58 TO .187/4.76.
2. USE CONNECTOR WITH MALE CRIMP TERMINAL SERIES 84524.
3. MATES WITH PLUG CONNECTOR SERIES 84510.
4. HEX NUT SOLD SEPARATELY, MOLEX MATERIAL NUMBER 84506-0012.
5. USE CONNECTOR WITH STRAIN RELIEF BACKSHELL, MOLEX MATERIAL NO. 84537-0003.
6. ASSEMBLY IS ROHS COMPLIANT.
7. PACKAGED PER PK-84501-001.

UPDATE OVERALL LENGTH & REVERSE TERM. NOTE REC NO: MNA2011-0406 2011/02/01	DRW:WLEUNG CHKD: APPR:DTITUS 2011/02/04	DESCRIPTION
QUALITY SYMBOLS	DESCRIPTION	
▽=0		
▽=0		

GENERAL TOLERANCES (UNLESS SPECIFIED)	
4 PLACES ± --- ± ---	
3 PLACES ± --- ± ---	
2 PLACES ± --- ± .015	
1 PLACE ± 0.38 ± ---	
ANGULAR ± 2 °	
DRAFT WHERE APPLICABLE MUST REMAIN WITHIN DIMENSIONS	

DIMENSION STYLE	SCALE	DESIGN UNITS	THIRD ANGLE PROJECTION
IN/MM	1:1	INCH	
DRAWN BY	DATE	TITLE	
JPAWLICKI	2006/6/5	RECT. CONNECTOR ASSEMBLY, 24-31 POS PIN TERMINALS	
CHECKED BY	DATE		
JPAWLICKI	2006/6/6		
APPROVED BY	DATE		
RDEROSS	2006/6/7		
MATERIAL NO.	DOCUMENT NO.	SHEET NO.	
845110005	SD-84511-002	2 OF 2	

MATERIAL NO. 845110005		DOCUMENT NO. SD-84511-002		SHEET NO. 2 OF 2	
THIS DRAWING CONTAINS INFORMATION THAT IS PROPRIETARY TO MOLEX INCORPORATED AND SHOULD NOT BE USED WITHOUT WRITTEN PERMISSION					