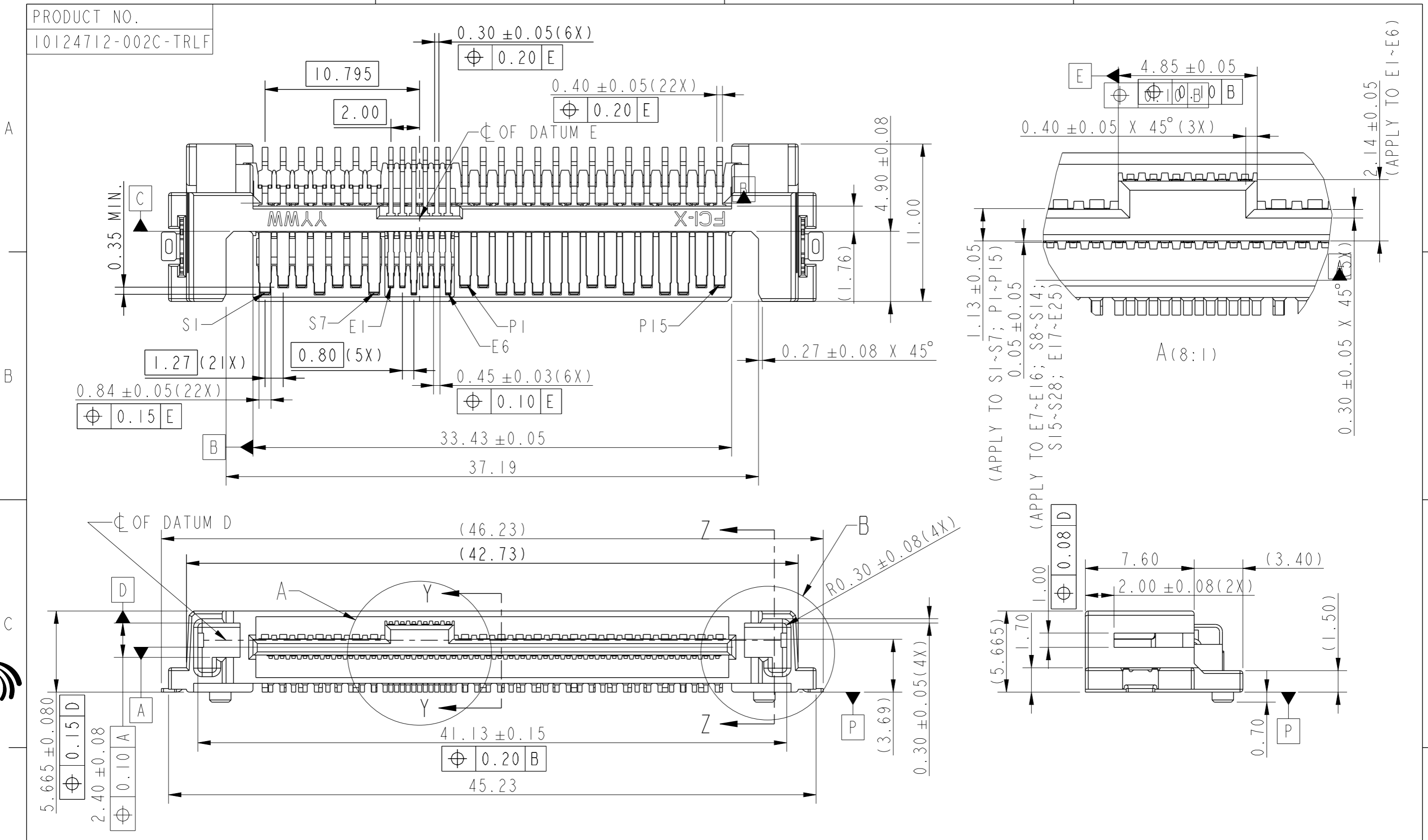


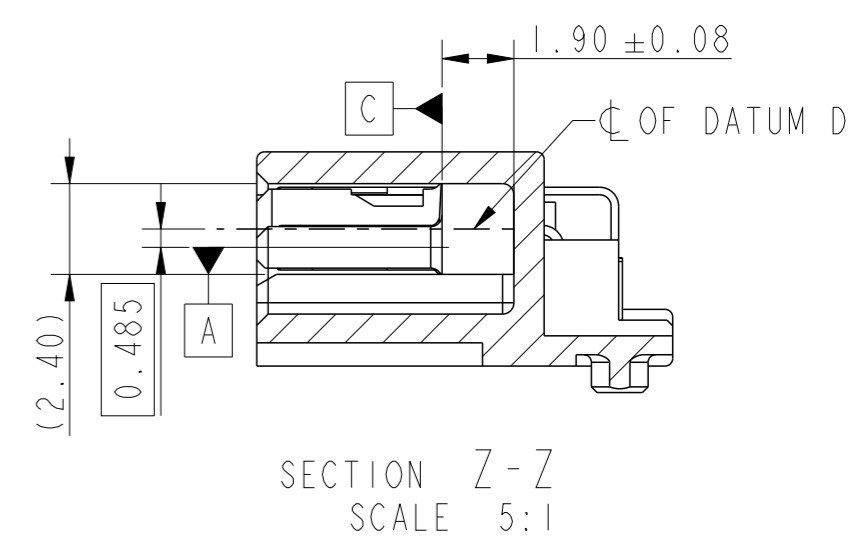
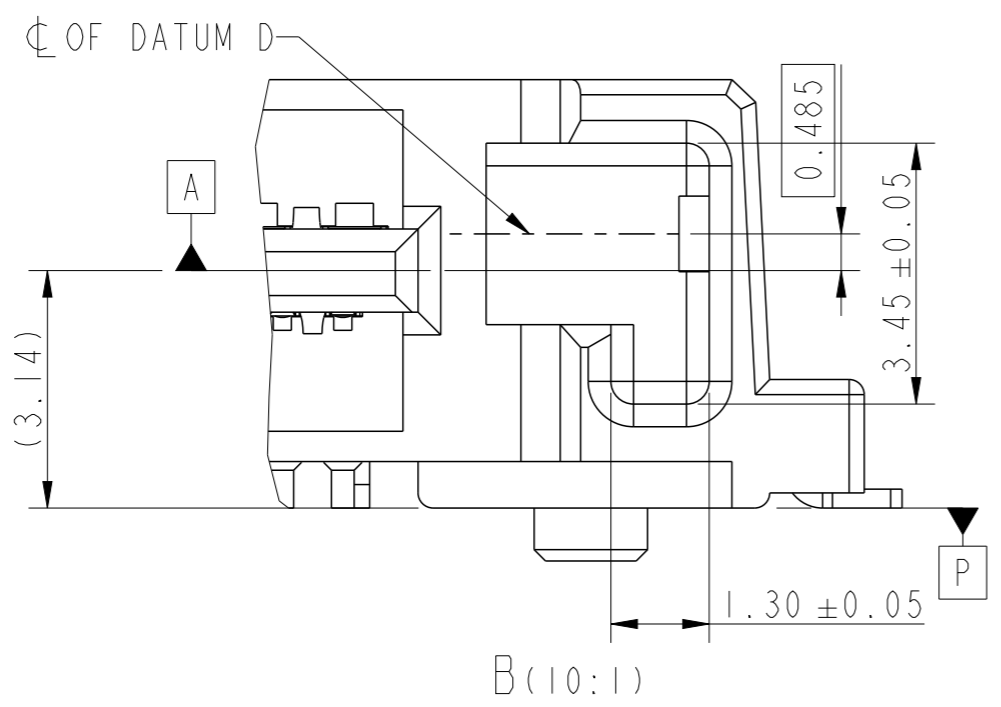
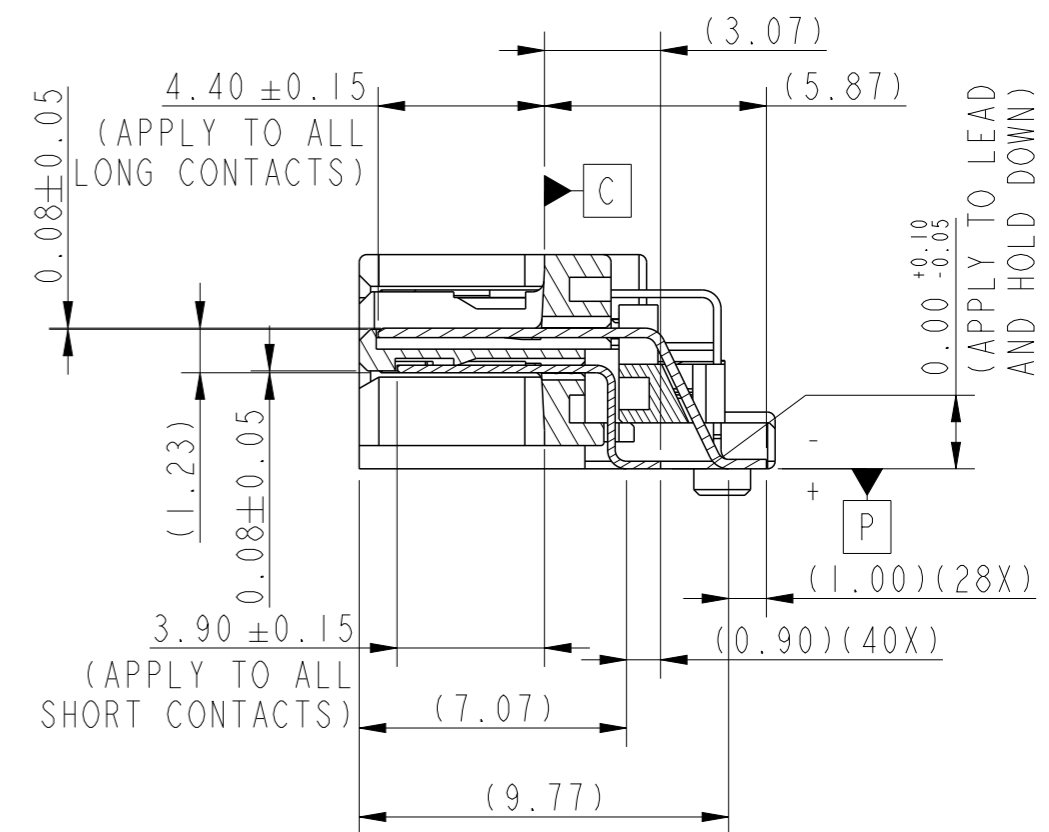
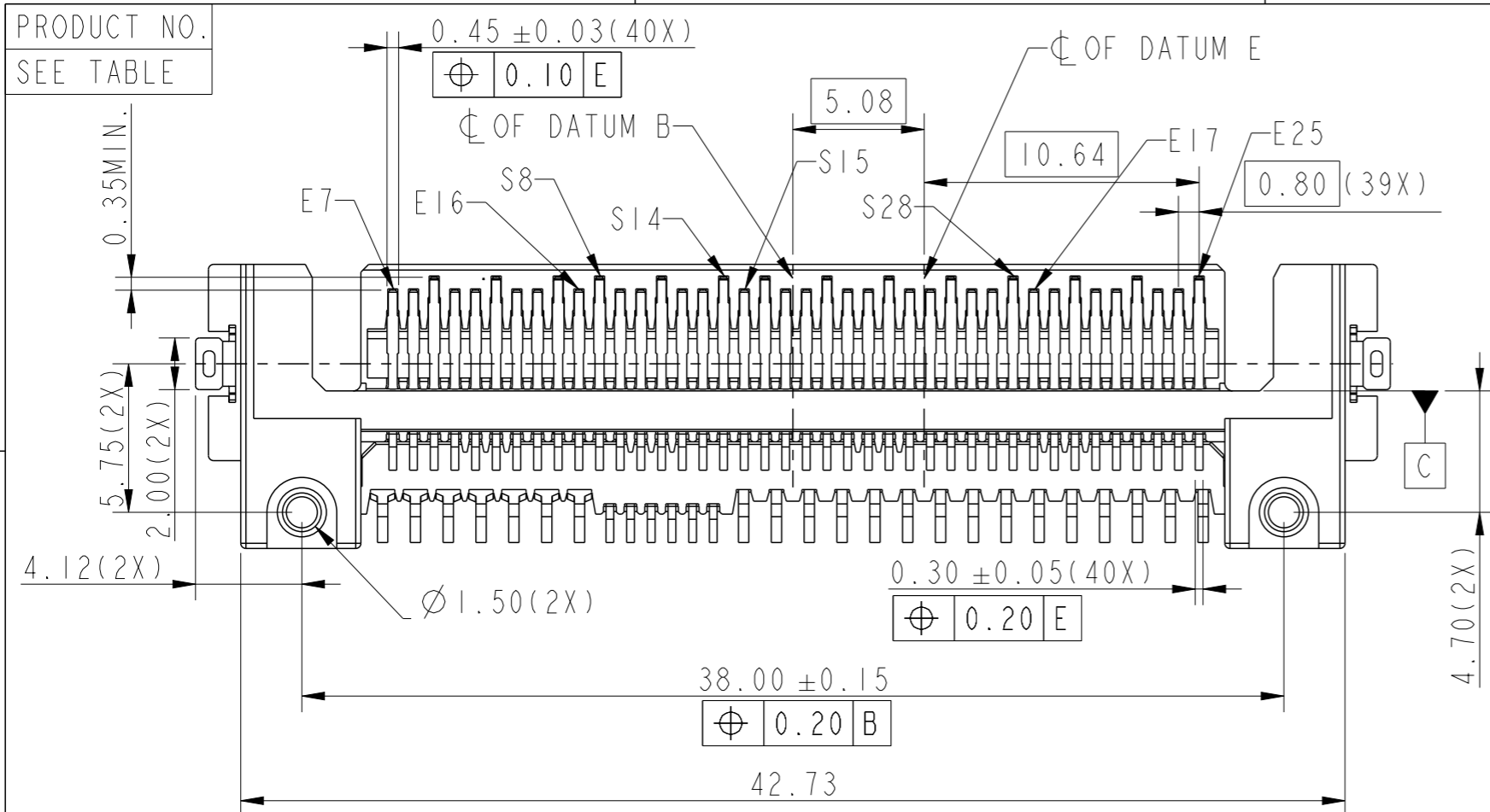
PRODUCT NO.
10124712-002C-TRLF



Copyright FCI.
FCI

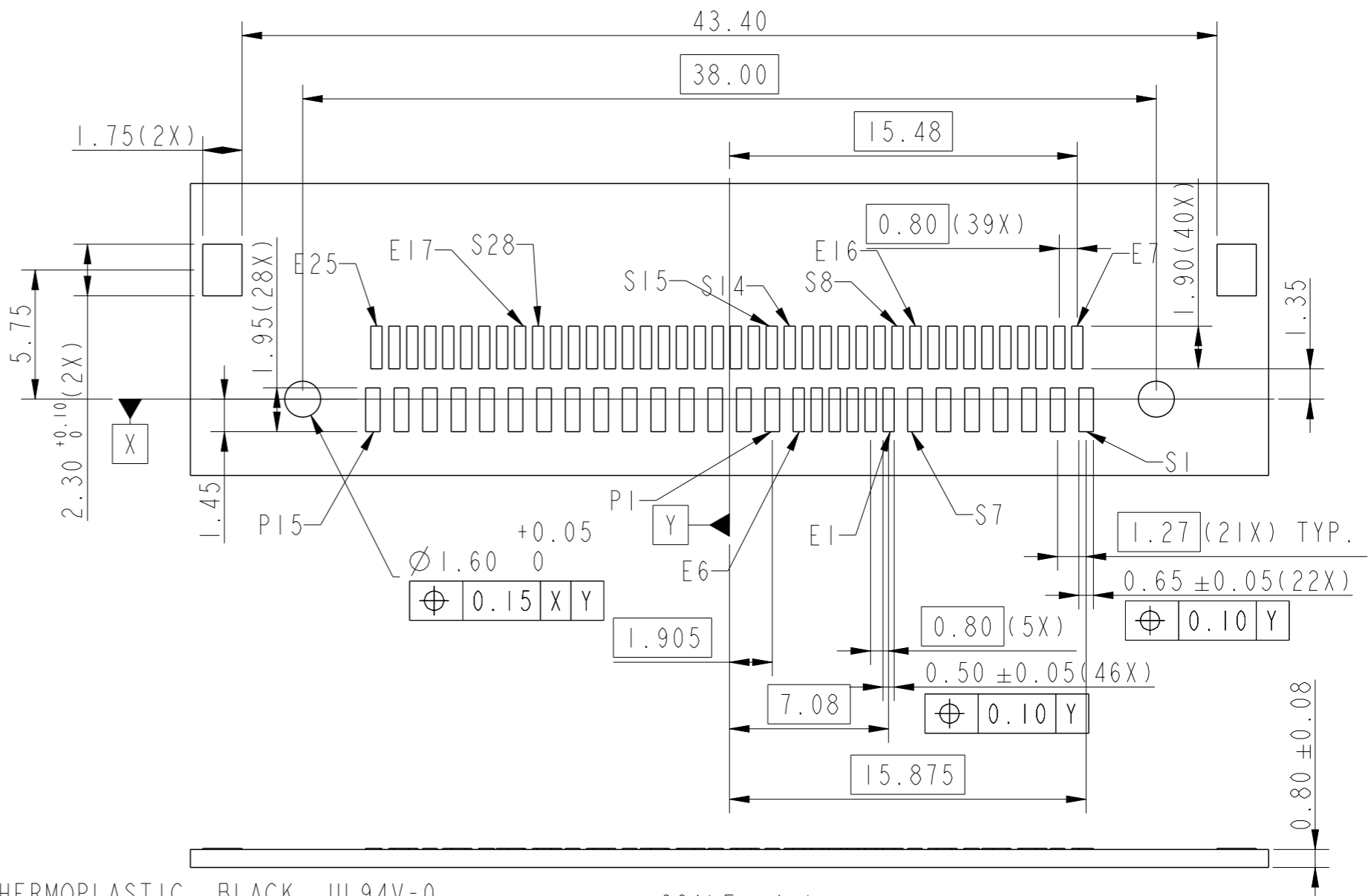
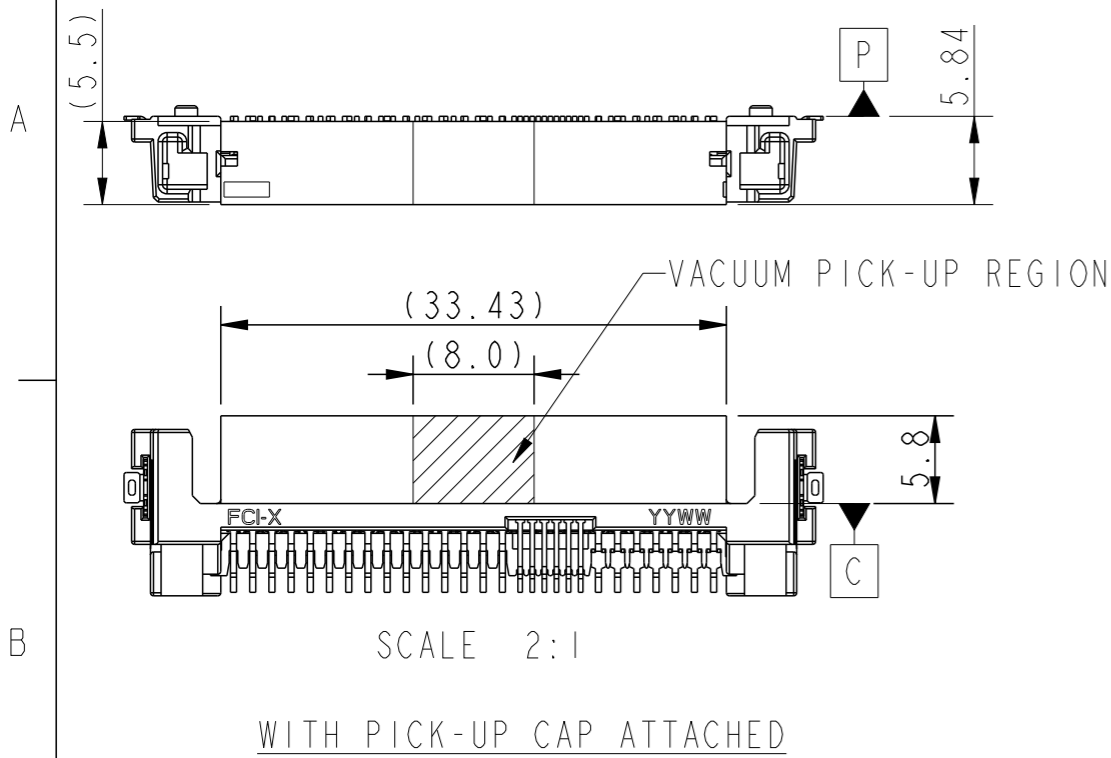
spec ref	ASME Y14.5	dr	Jeffrey Lim	2014/09/01	projection	MM	size	A3	scale	4:1									
tolerance std	TOLERANCES UNLESS OTHERWISE SPECIFIED	eng	Jeffrey Lim	2014/09/09			ecn no	-	rel level	Released									
surface	<table border="1"> <tr> <td>linear</td> <td>0.X</td> <td>± 0.25</td> </tr> <tr> <td></td> <td>0.XX</td> <td>± 0.13</td> </tr> <tr> <td></td> <td>0.XXX</td> <td>± 0.050</td> </tr> <tr> <td>angular</td> <td>0°</td> <td>$\pm 3^\circ$</td> </tr> </table>	linear	0.X	± 0.25				0.XX	± 0.13		0.XXX	± 0.050	angular	0°	$\pm 3^\circ$	chr	-	product family	-
linear	0.X	± 0.25																	
	0.XX	± 0.13																	
	0.XXX	± 0.050																	
angular	0°	$\pm 3^\circ$																	
appr	Chen-Hong Tan	2014/09/09			title	SAS/PCIE R/A SMT PLUG	dwg no	10124712	rev	A									
www.fci.com		cat. no.	-		Product - Customer Drw		sheet 1 of 3												

PRODUCT NO.
SEE TABLE



spec ref	ASME Y14.5	dr	Jeffrey Lim	2014/09/01	projection	MM	size	A3	scale	4:1							
tolerance std	TOLERANCES UNLESS OTHERWISE SPECIFIED	eng	Jeffrey Lim	2014/09/09			ecn no	-	rel level	Released							
surface	<table border="1"> <tr> <td>linear</td> <td>0.X</td> <td>±0.25</td> </tr> <tr> <td></td> <td>0.XX</td> <td>±0.13</td> </tr> <tr> <td></td> <td>0.XXX</td> <td>±0.050</td> </tr> <tr> <td>angular</td> <td>0°</td> <td>±3°</td> </tr> </table>	linear	0.X	±0.25								0.XX	±0.13		0.XXX	±0.050	angular
linear	0.X	±0.25															
	0.XX	±0.13															
	0.XXX	±0.050															
angular	0°	±3°															
appr	Chen-Hong Tan	2014/09/09			title	SAS/PCIE R/A SMT PLUG		dwg no	10124712								
www.fci.com		cat. no.	-		Product - Customer Drw			rev	A								

PRODUCT NO.	PACKAGING
10124712-002C-TRLF	TAPE & REEL



RECOMMENDED PCB LAYOUT
(GENERAL TOLERANCE: ±0.05)

- NOTES:
- MATERIAL:
HOUSING, GUIDE PLATE AND CAP: HIGH TEMPERATURE THERMOPLASTIC, BLACK, UL94V-0
CONTACT & HOLD DOWN: COPPER ALLOY
 - FINISH:
CONTACT: 1.27um MIN. Ni UNDERPLATE OVERALL,
1.91um MIN. 100% MATTE Sn(LEAD-FREE) ON SOLDER TAIL,
0.76um MIN. Au ON CONTACT AREA
HOLD DOWN: 1.91um MIN. 100% MATTE Sn(LEAD-FREE) OVER
1.27um MIN. Ni UNDERPLATE OVERALL
 - PRODUCT SPECIFICATION: GS-12-1169
 - PACKAGING SPECIFICATION: GS-14-2307
 - THIS PRODUCT MEETS EUROPEAN UNION DIRECTIVES AND OTHER COUNTRY REGULATIONS AS DESCRIBED IN GS-47-0004
 - THIS PRODUCT IS COMPLY WITH SFF-8639 SPECIFICATION
 - THE HOUSING WILL WITHSTAND EXPOSURE TO 260°C PEAK TEMPERATURE FOR 10 SECONDS IN A CONVECTION, INFRA-RED OR VAPOR PHASE REFLOW OVEN

Copyright FCI.

spec ref	ASME Y14.5	dr	Jeffrey Lim	2014/09/01	projection	MM	size	A3	scale	4:1									
tolerance std	TOLERANCES UNLESS OTHERWISE SPECIFIED	eng	Jeffrey Lim	2014/09/09			ecn no	-	rel level	Released									
surface	<table border="1"> <tr> <td>linear</td> <td>0.X</td> <td>±0.25</td> </tr> <tr> <td></td> <td>0.XX</td> <td>±0.13</td> </tr> <tr> <td></td> <td>0.XXX</td> <td>±0.050</td> </tr> <tr> <td>angular</td> <td>0°</td> <td>±3°</td> </tr> </table>	linear	0.X	±0.25				0.XX	±0.13		0.XXX	±0.050	angular	0°	±3°	chr	-	product family	-
linear	0.X	±0.25																	
	0.XX	±0.13																	
	0.XXX	±0.050																	
angular	0°	±3°																	
		appr	Chen-Hong Tan	2014/09/09			title	SAS/PCIE R/A SMT PLUG	dwg no	10124712									
					www.fci.com	cat. no.	-	Product - Customer Drw	rev	A									
								Product - Customer Drw	sheet 3 of 3										