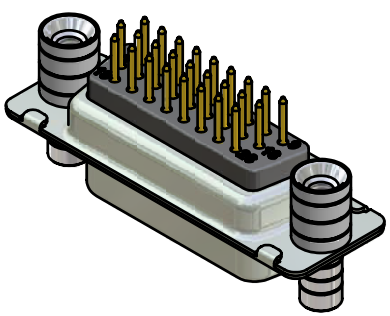
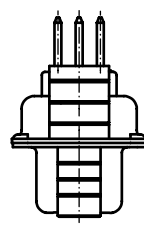
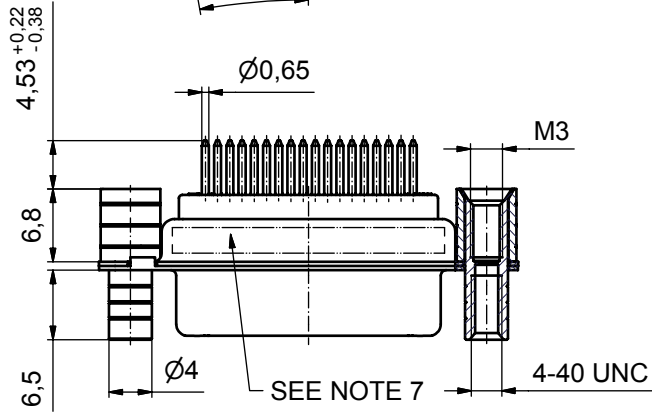
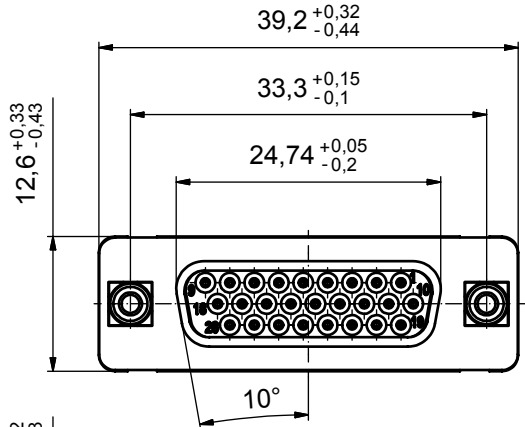
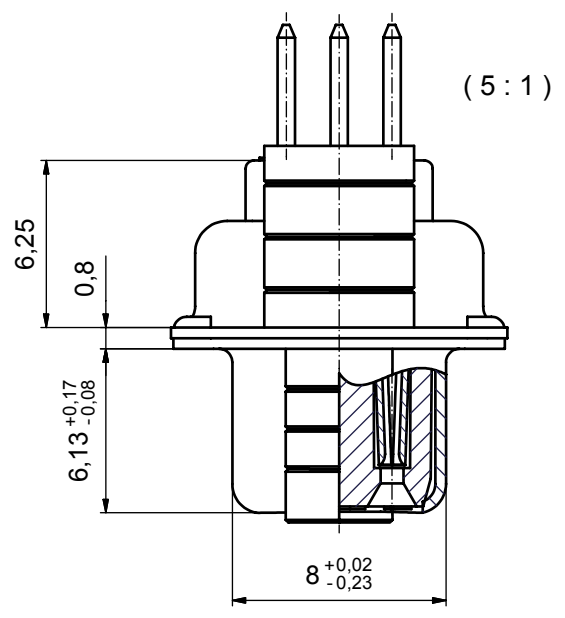


P.C.B. HOLE DRILLINGS



NOTES:

1. METALSHELLS: STEEL; min. 315µ" TIN over 40-80µ" NICKEL
2. INSULATORS: PBT GF UL 94 V-0, BLACK
3. CONTACTS: COPPER ALLOY
PLATING MATING AREA: 8µ" HARD GOLD over min. 50µ" NICKEL
4. THREADED REAR SPACER/FRONT THREADED LOCK: COPPER ALLOY; min. 200µ" TIN over 80µ" NICKEL
5. SLEEVE: COPPER ALLOY; min. 200µ" TIN over 80µ" NICKEL
6. MAXIMUM TORQUE VALUE FOR THREAD: 6 in.LB
7. CONNECTOR IS PART MARKED: 164A17319X CONEC ABC

Directive 2002/95/EC
RoHS
Compliant

APPROVAL # FREIGABE # DEBLOCAGE # AUTORIZACION # APPROVAL	
CUSTOMER APPROVAL DATE:	
NAME:	TITLE:
COMPANY NAME:	
APPROVAL # FREIGABE # DEBLOCAGE # AUTORIZACION # APPROVAL	

THIS DRAWING MAY NOT BE COPIED OR REPRODUCED IN ANY WAY, AND MAY NOT BE PASSED ON TO A THIRD PARTY WITHOUT WRITTEN PERMISSION. OWNERSHIP AND COPYRIGHT OF CONEC GmbH DO NOT ALTER CAD DRAWING BY HAND	finish:	SEE NOTES	tolerance:		dim. in mm	
	date:		date:	22.06.06		
	name:		name:	Lehmenkühler		
	date:		date:	22.06.06	name:	Kühle
	norm:		norm:			
d-old:		d-old:				
a	Origin		CONEC			
rev.	description	date			name	

scale:	2:1 (5:1)	
material:	SEE NOTES	
title:	D-SUB HD FEMALE 26 pos. SOLDER PIN STRAIGHT threaded rear spacer and front threaded lock	
dwg no:	Inventor	DIN-A3
	16K1A1836	sh: 1
part no:	164A17319X	