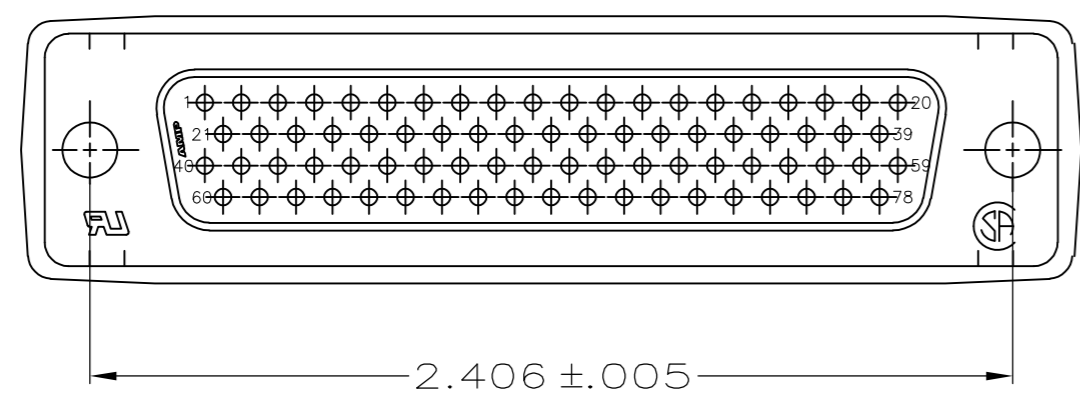
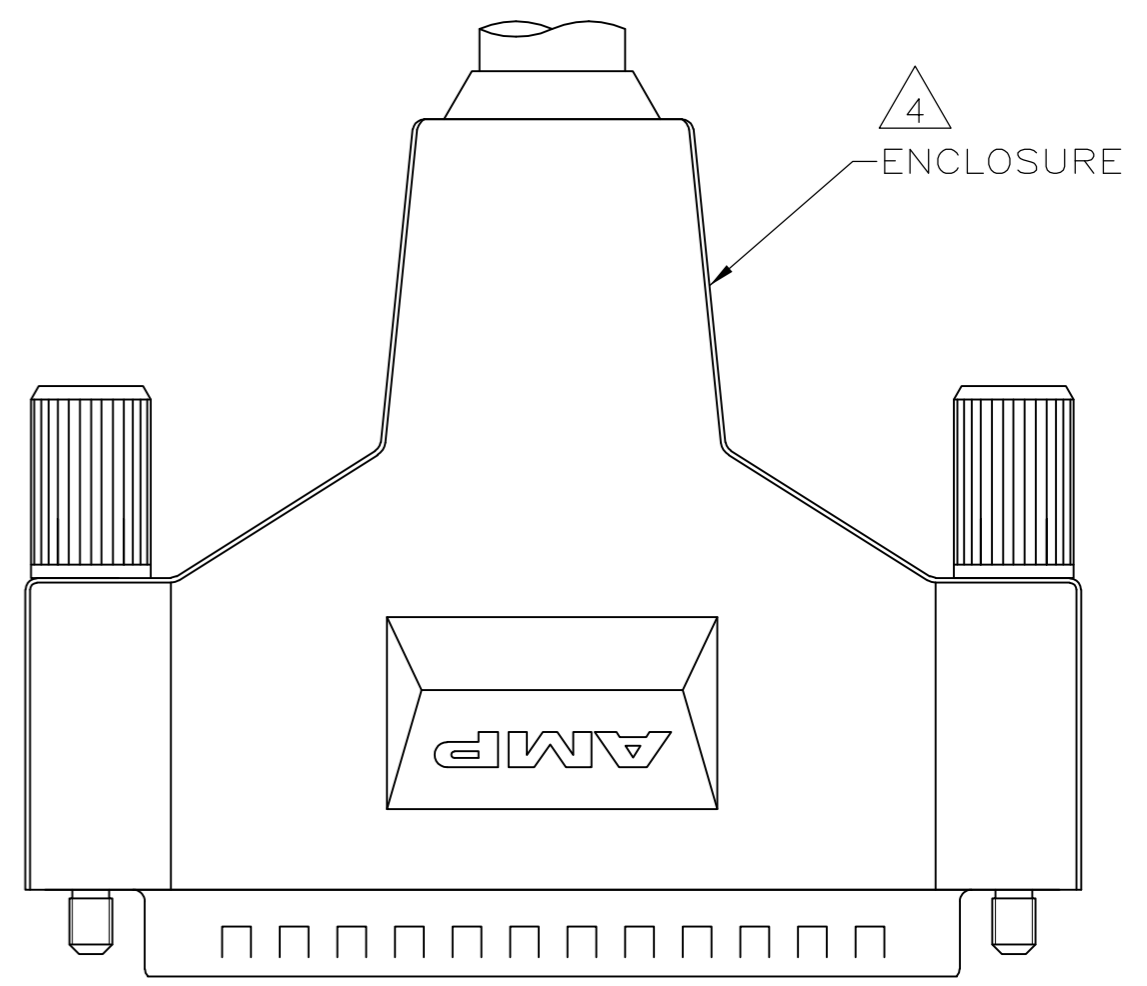
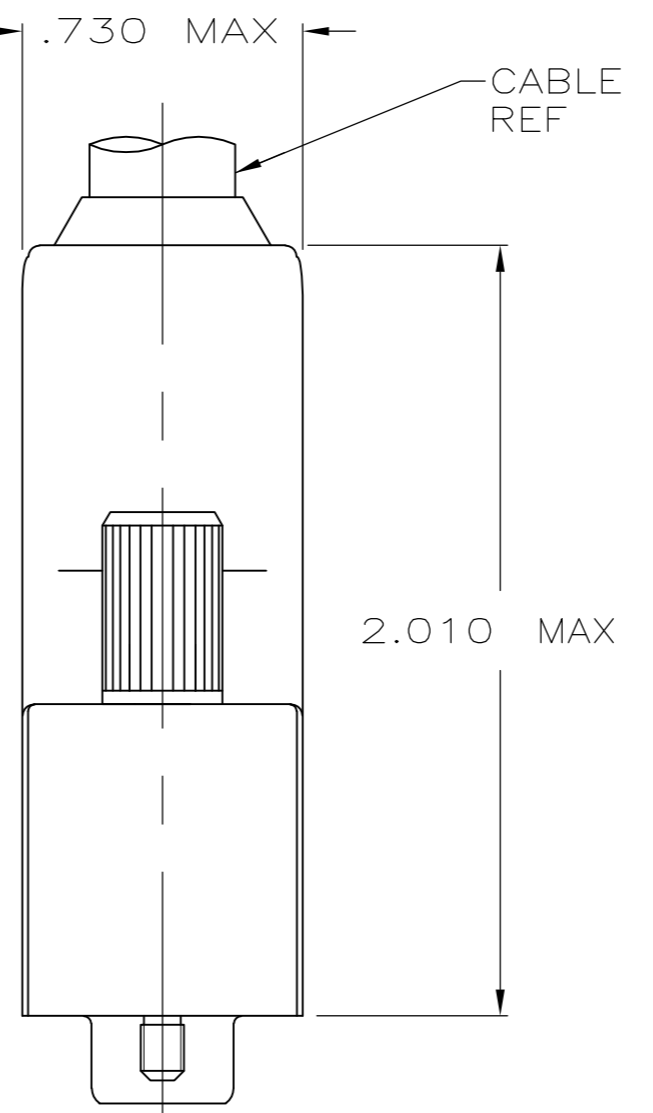
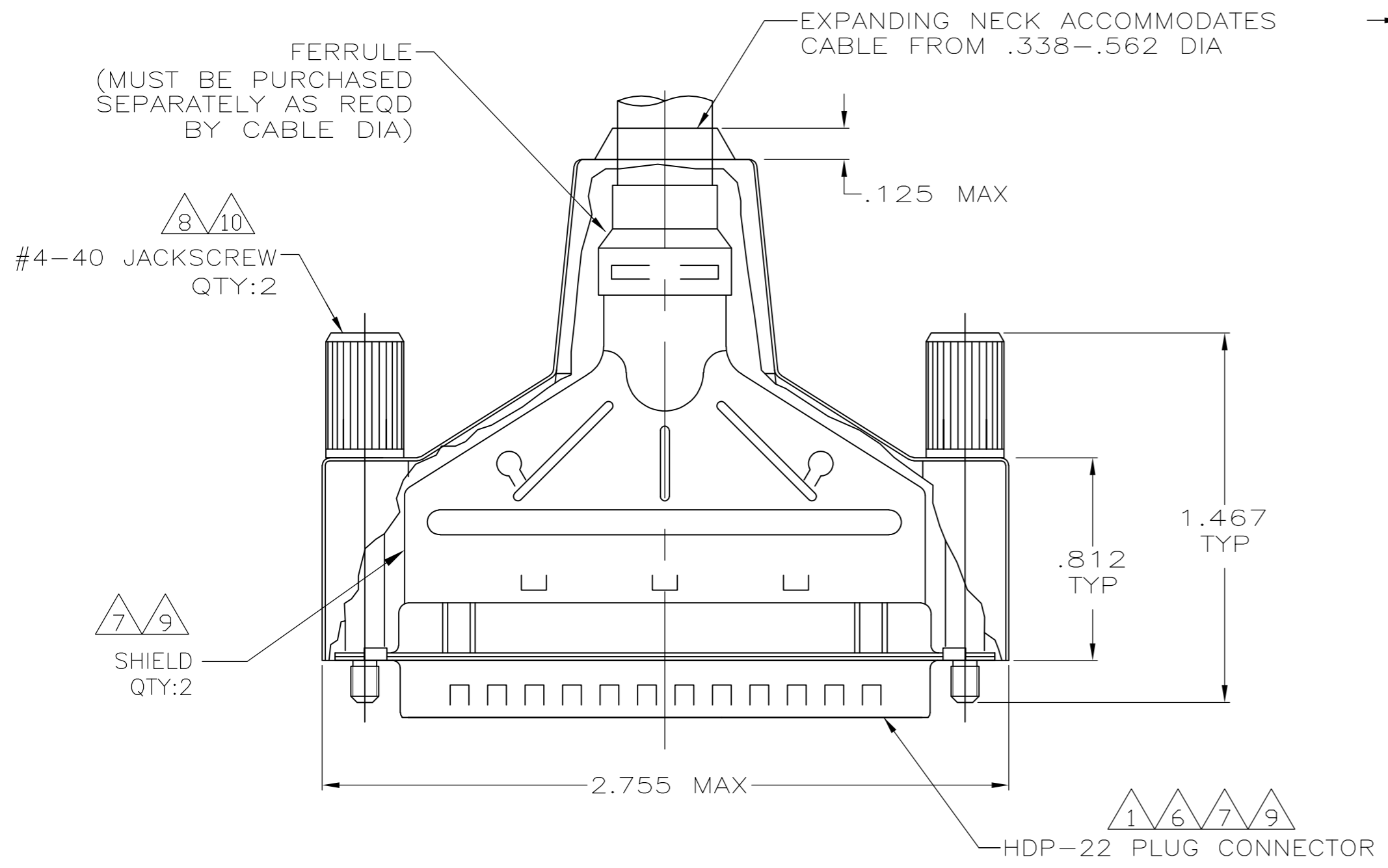


THIS DRAWING IS UNPUBLISHED. RELEASED FOR PUBLICATION
 © COPYRIGHT - By - ALL RIGHTS RESERVED.

LOC	DIST	REVISIONS					
GP	00	P	LTR	DESCRIPTION	DATE	DWN	APVD
		C		REVISED PER ECO-11-019152	25OCT2011	CJV	CWR



- 1 PLUG ACCEPTS SIZE 22 DF PIN CONTACTS PURCHASED SEPARATELY.
- 2. ALL PARTS SHIPPED UNASSEMBLED.
- 3 COMPONENTS INDIVIDUALLY BULK PACKAGED.
- 4 ELASTOMER, STYRENE POLYOLEFIN, OR PVC, BLACK.
- 5 NOTE DELETED.
- 6 FLAME RETARDANT, 94V-0 RATED, GLASS FILLED, NYLON, BLACK.
- 7 CARBON STEEL PER ASTM A109.
- 8 ZINC ALLOY.
- 9 .000200 MIN TIN PLATE OVER .000100 MIN COPPER UNDERPLATE.
- 10 ELECTRODEPOSITED POLYURETHANE, BLACK.

3	W/ LOGOS	5748477-1
PACKAGING	REMARKS	PART NUMBER

THIS DRAWING IS A CONTROLLED DOCUMENT.		DWN 12-21-04 L. VARELA - DOCK5		
DIMENSIONS: INCHES		CHK 12-21-04 J. GERACE		
TOLERANCES UNLESS OTHERWISE SPECIFIED:		APVD 12-21-04 M. WALMSLEY	NAME	
0 PLC ± -		PRODUCT SPEC	SHIELDING ENCLOSURE KIT, PLUG,	
1 PLC ± -		108-40005 & 108-40030	SIZE 5, 78 POSITION,	
2 PLC ± -		APPLICATION SPEC	AMPLIMITE HDP-22	
3 PLC ± .020		114-40030	SIZE	CAGE CODE
4 PLC ± -		WEIGHT -	A2	00779
ANGLES ± -		CUSTOMER DRAWING	DRAWING NO	
FINISH		SCALE 2:1	SHEET 1 of 1	
MATERIAL		REV C	RESTRICTED TO	