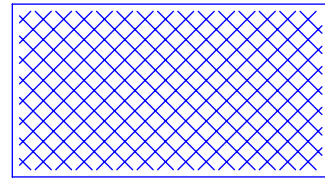


NOTES:

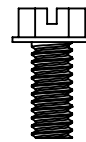
1. RACK GROUNDING EQUIPMENT JUMPER KIT  
PART NUMBER: RGEJ1036PFY, RGEJ1096PF
2. ALL COMPONENTS THAT MAKE UP THIS KIT  
ARE RoHS COMPLIANT.



CLEANING PAD (QTY. 1)



5cc TUBE ANTI-OXIDANT PASTE (QTY. 1)



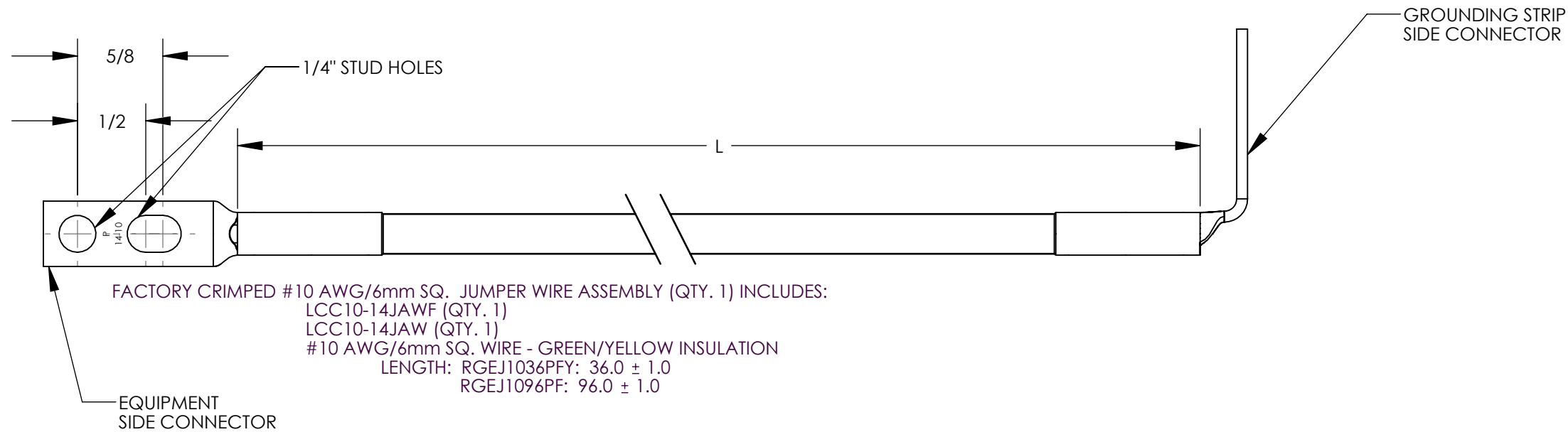
#12-24, M6, #10-32, & M5  
SLOTTED HEX-HEAD ZINC PLATED  
THREAD-FORMING SCREW (QTY. 2 OF EACH)



LISTED  
GROUNDING AND BONDING EQUIPMENT



CERTIFIED



								<b>PANDUIT CORP. TINLEY PARK, ILLINOIS</b>	
								EQUIPMENT JUMPER (RGEJ1036PFY, RGEJ1096PF) CUSTOMER DRAWING	
03	12/12	JHNU	RGB	ADDED RGEJ1096PF	N41645BB-C41645	RGB	RGB	UNLESS OTHERWISE SPECIFIED DIMENSIONAL TOLERANCES ARE: (.X) ±            (.XXX) ± (.XX) ±            ANGLES ±	UNLESS OTHERWISE SPECIFIED, ALL DIMENSIONS ARE GIVEN IN INCHES, THIRD ANGLE PROJECTION
02	9/06	JHNU	CSH	REVISED NOTE 2: ADDED PACKAGE & CARTON WEIGHT	PC00542				
01	3/06	JHNU	CSH	REMOVED CE SYMBOL FROM DRAWING	PC00362			DRAWN BY JHNU	SCALE NONE
00	2/06	JHNU	CSH	DRAWING RELEASED	PC00325			DATE 2/06	DRAWING NO / CAD FILE C41645_03
<b>REV</b>	<b>DATE</b>	<b>BY</b>	<b>CHK</b>	<b>DESCRIPTION</b>	<b>ECN</b>	<b>-R</b>	<b>SUP</b>	<b>CHK'D</b>	<b>DWG B SIZE</b>