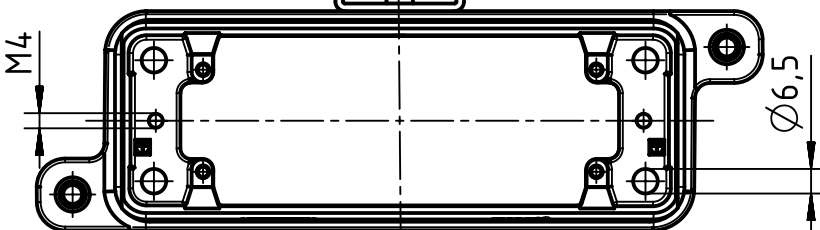
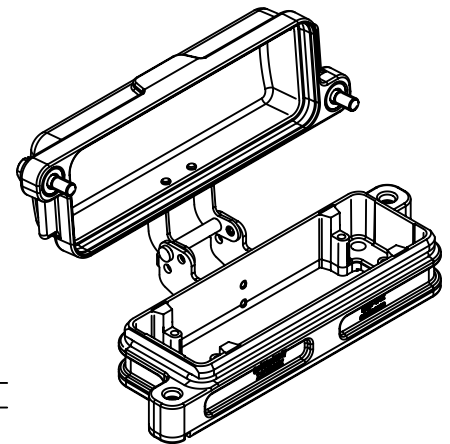
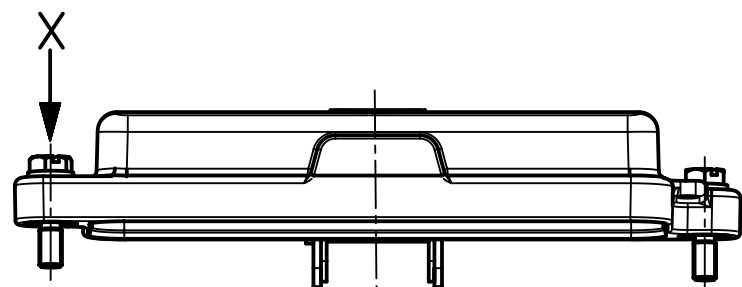
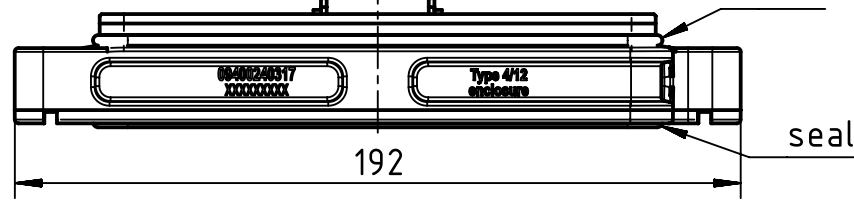
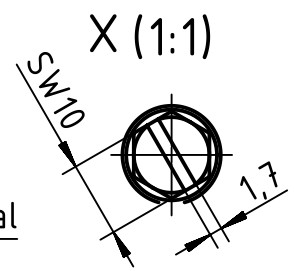
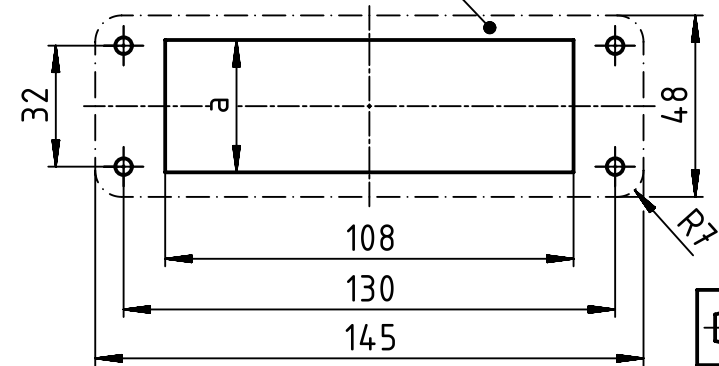


for EMC features,  
conductive surface

panel cut out



<b>application</b>	a
standard insert	35
HC-Modular 650	44,5

	All Dimensions in mm Original Size DIN A4		Scale 1:2	Free size tol.		Ref.
	All rights reserved Department EL PD - DE		Created by FINKEV	Inspected by GERB	Standardisation TIEMANNA	Sub.
HARTING Electric GmbH & Co. KG D-32339 Espelkamp		Title Han 24HPR Base Panel Screw lock. Cover		Date 2015-11-13	State Final Release	
		Type TB	Number 09 40 024 0317		Doc-Key / ECM-Nr. 100217697/UGD/004/C 500000093625	Rev. <b>C</b>
						Page 1/1