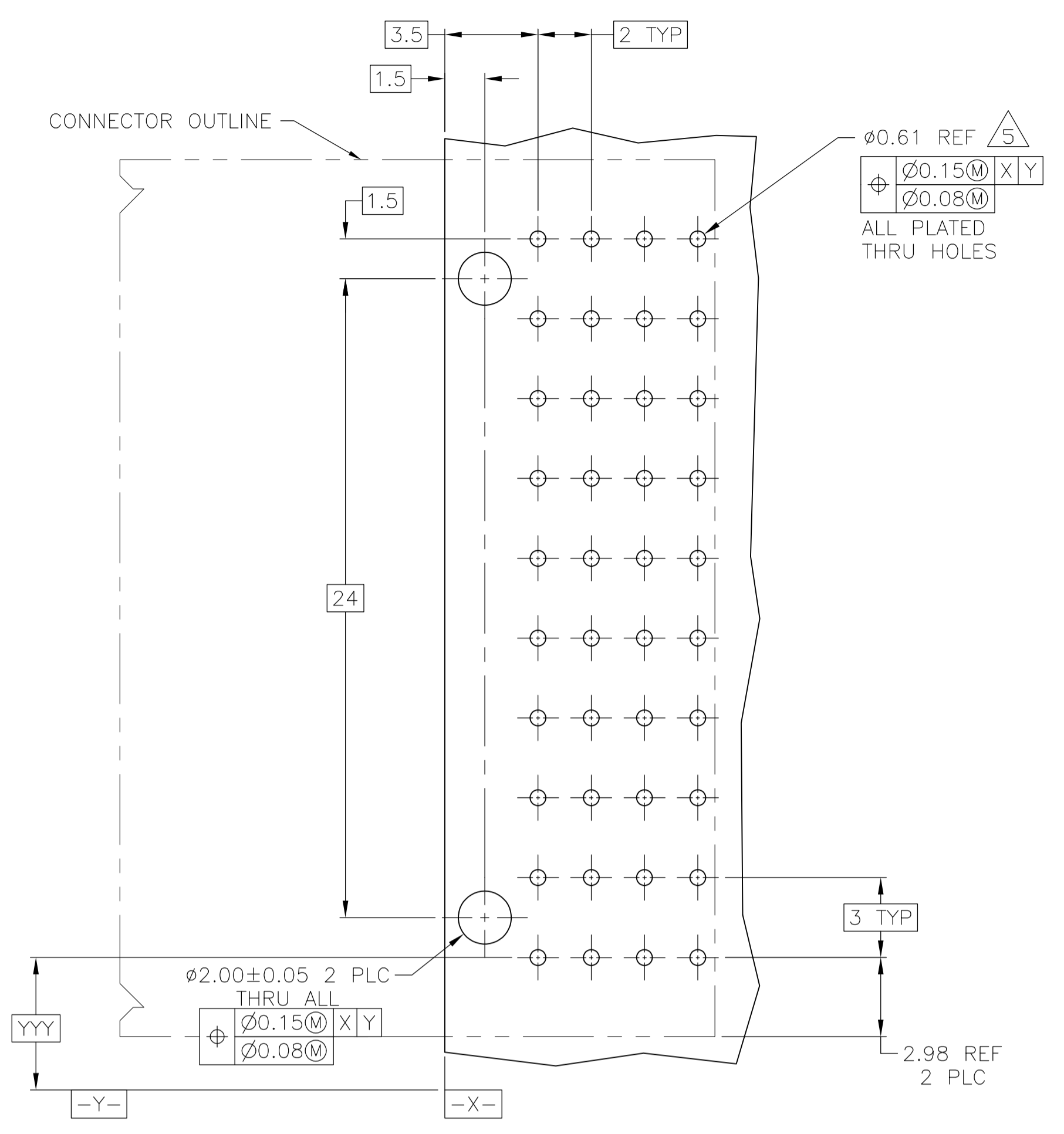
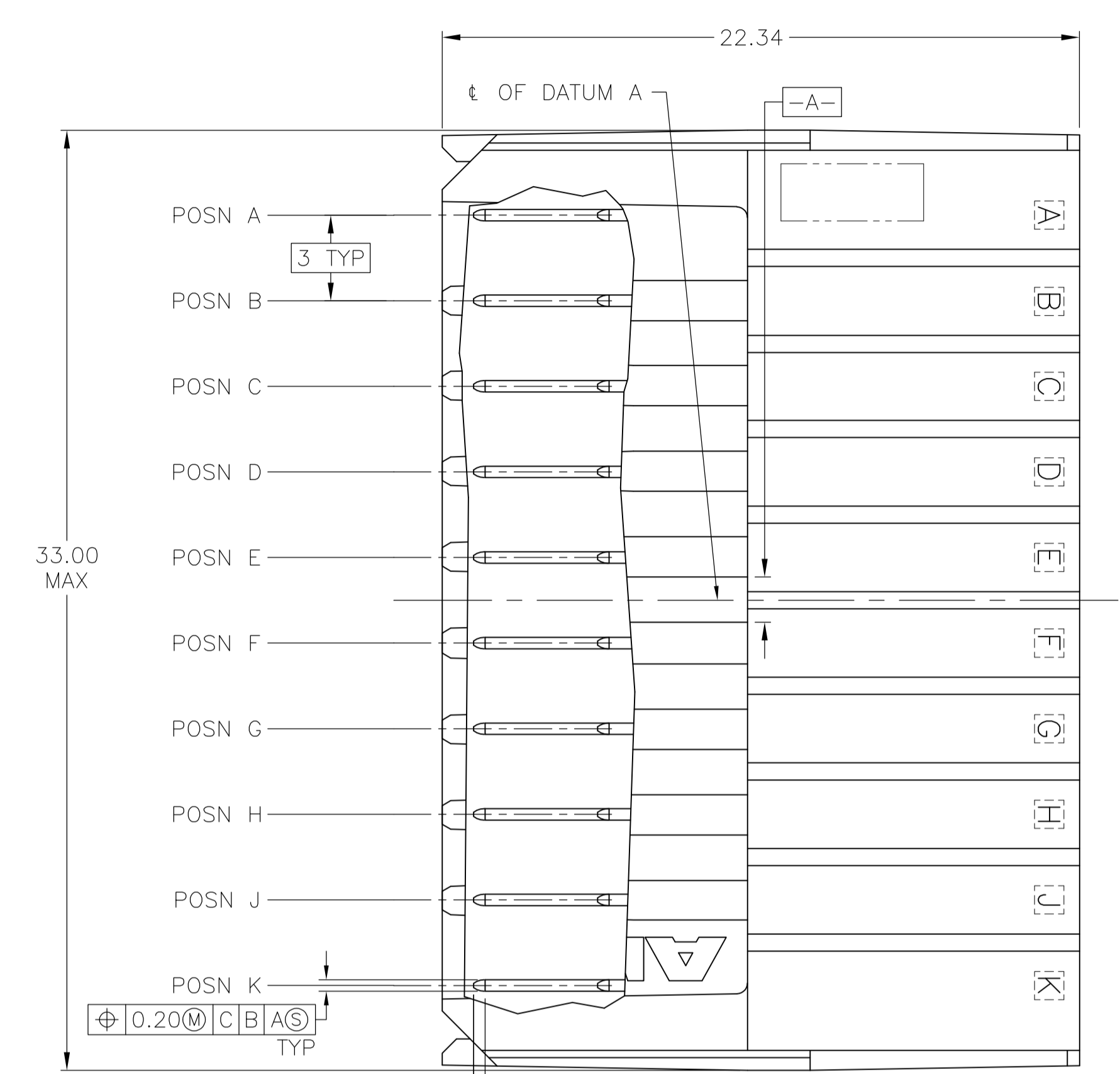


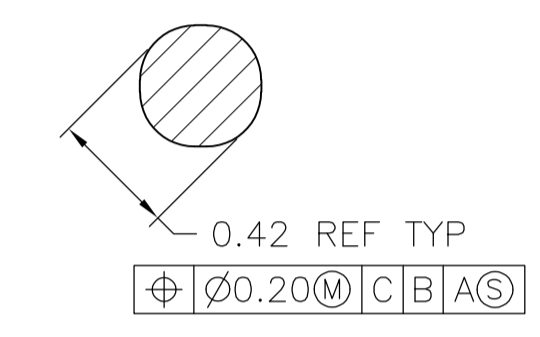
LOC		DIST		REVISIONS			
P	LTR	DESCRIPTION	DATE	DMN	APVD		
E		REVISED PER ECO-11-000045	04JAN11	DH	DY		



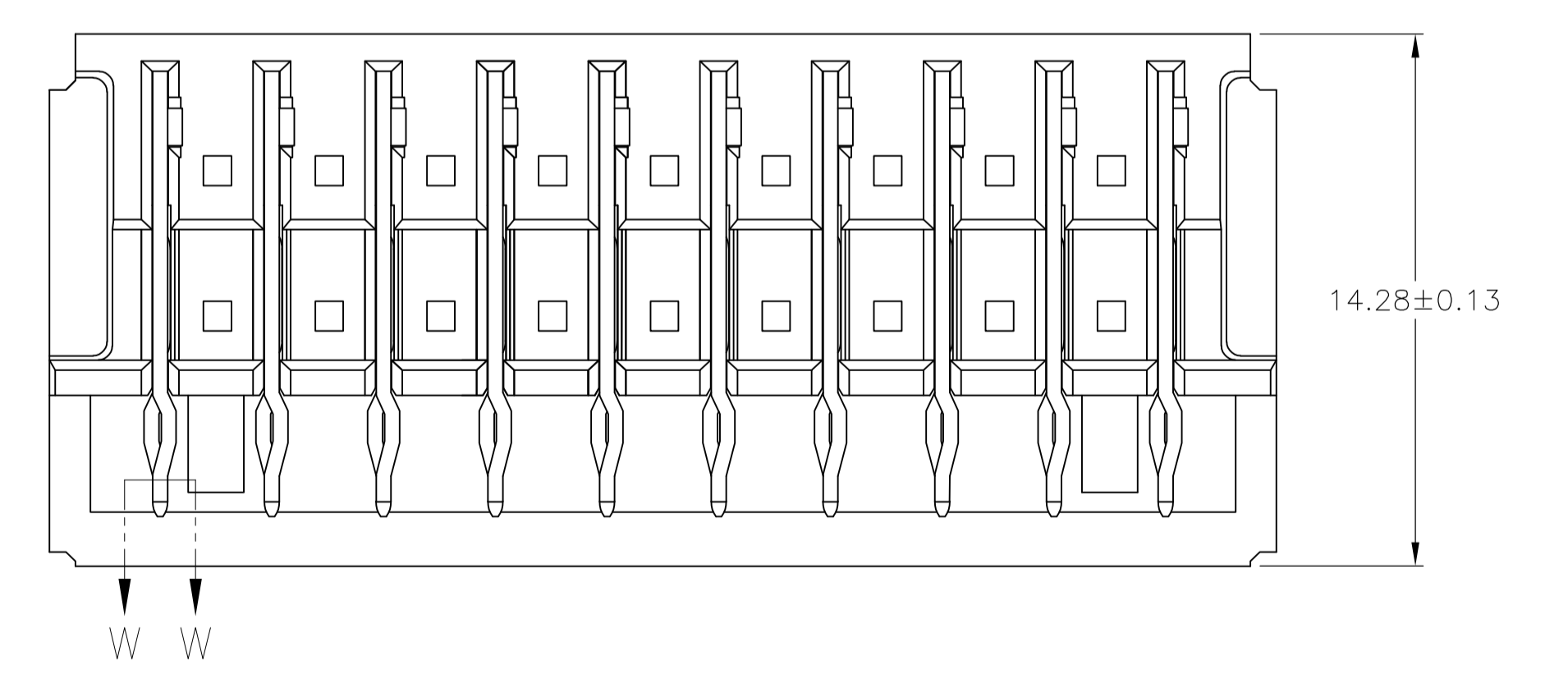
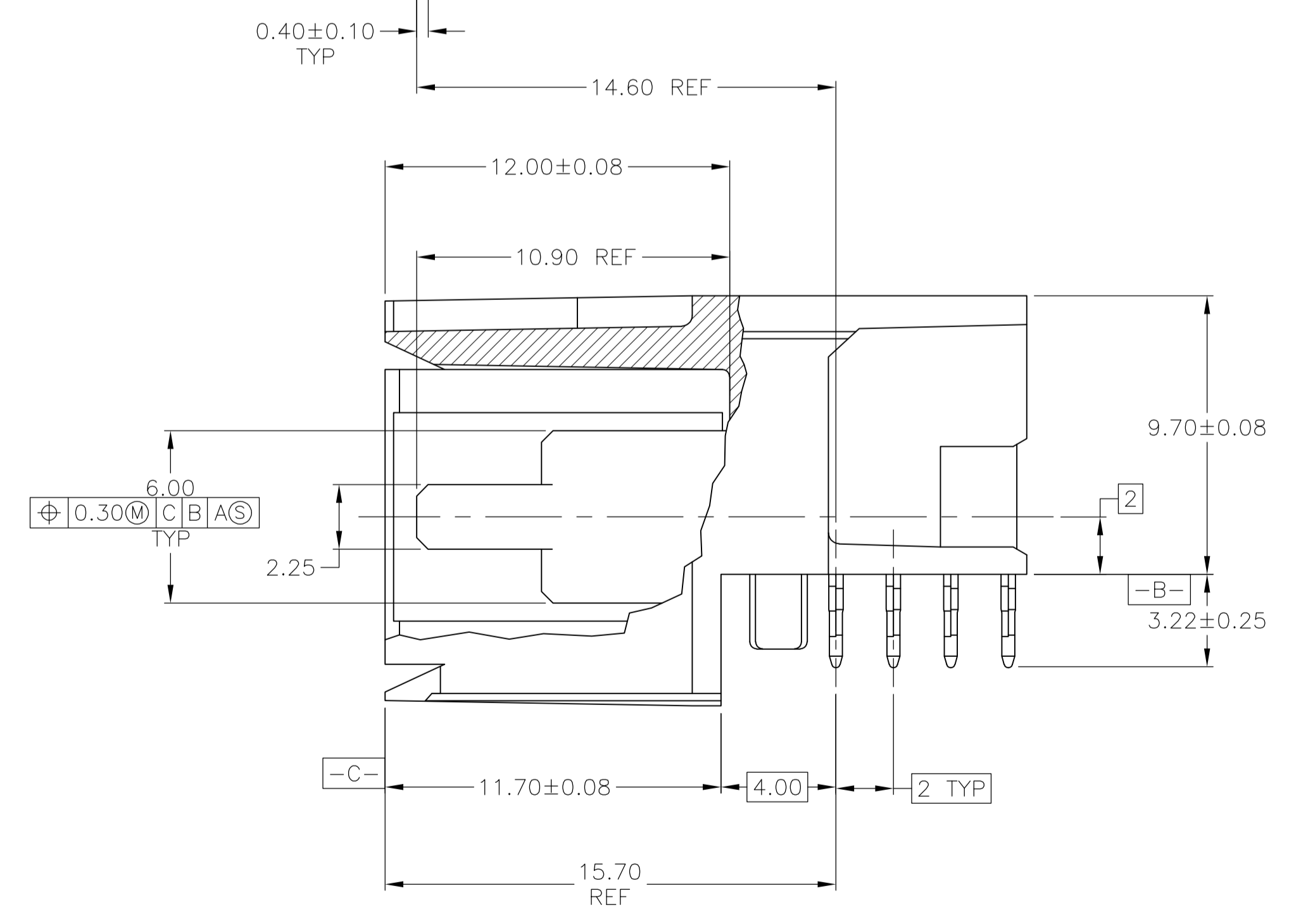
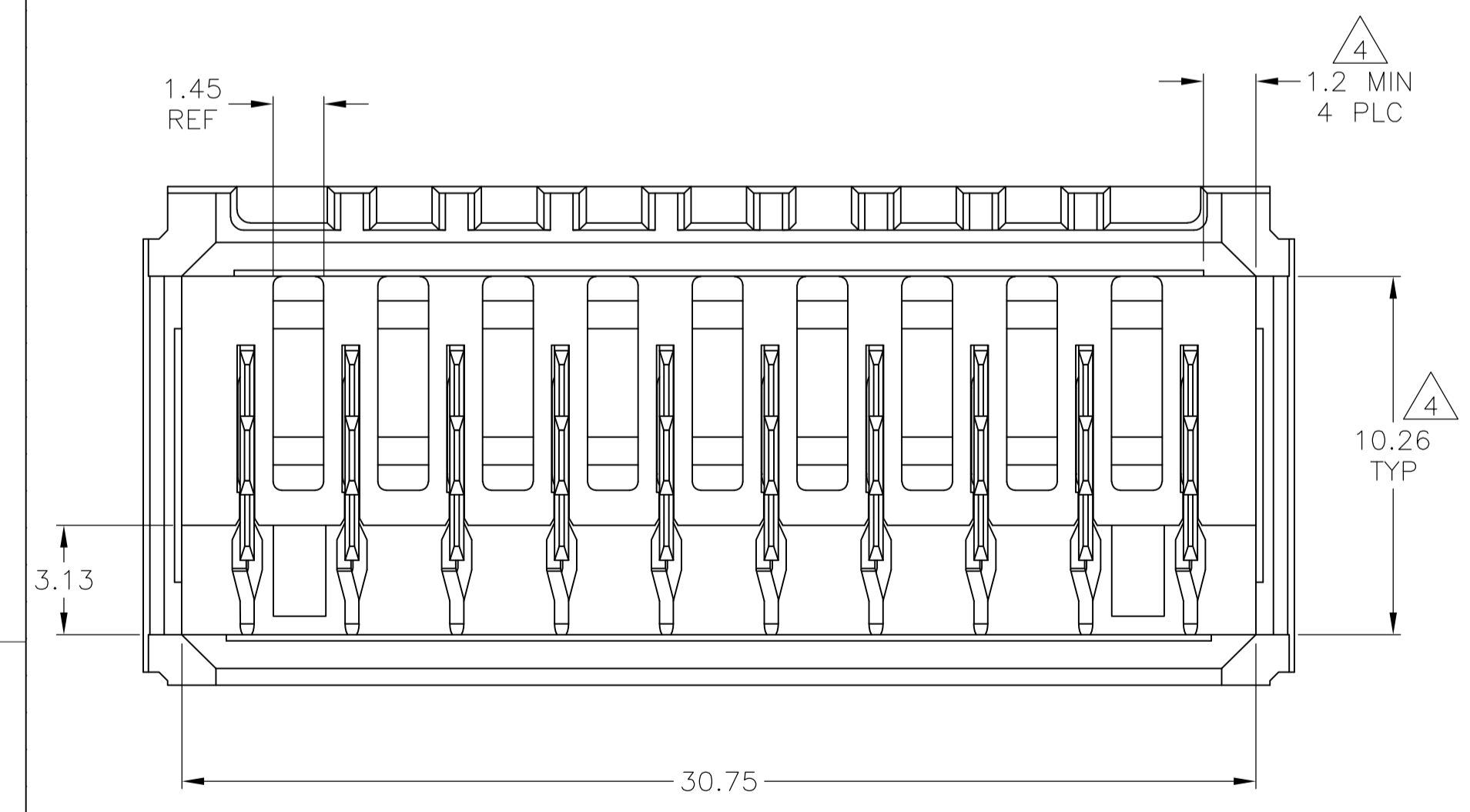
RECOMMENDED PCB HOLE LAYOUT



- $\Delta 1$ MATERIAL: HOUSING: POLYESTER, GRAY. UL 94V-0. CONTACT: HIGH CURRENT COPPER ALLOY.
- $\Delta 2$ FINISH: CONTACT MATING AREA: 1.27 μm MIN GOLD OR 0.08 μm MIN GOLD OVER 0.76 μm MIN PALLADIUM-NICKEL. ACTION PIN AREA: 0.5 μm MIN MATTE TIN PLATE. ALL OVER 1.27 μm MIN NICKEL UNDERPLATE.
- $\Delta 3$ FINISH: CONTACT LUBRICATION WITH BELLCORE APPROVED LUBRICANT. TECHNICAL REFERENCE: GR-1217-CORE, ISSUE 1, NOVEMBER 1995.
- $\Delta 4$ THE 10.26 ± 0.13 DIMENSION APPLIES IN THIS AREA.
- $\Delta 5$ REFERENCE APPLICATION SPEC 114-1103 FOR RECOMMENDED PLATED THRU HOLE DIAMETER AND PLATING THICKNESSES.
- 6. CURRENT RATING 16A/CONTACT PER PRODUCT SPEC 108-1651.



SECTION W-W
SCALE 40:1



120960-1
PART NUMBER

THIS DRAWING IS A CONTROLLED DOCUMENT.		DIN B. CARBO 18OCT04	Tyco Electronics Corporation Harrisburg, PA 17105-3608
DIMENSIONS: mm		CIK R. PATTERSON 18OCT04	NAME R. PATTERSON 18OCT04
TOLERANCES UNLESS OTHERWISE SPECIFIED:		PRODUCT SPEC	
0 PLC ± -		APPLICATION SPEC	
1 PLC ± -		SIZE	
2 PLC ± 0.13		CAGE CODE	
3 PLC ± -		DRAWING NO	
4 PLC ± -		RESTRICTED TO	
ANGLES ± -		A1 00779 C=120960	
MATERIAL $\Delta 1$	FINISH $\Delta 2 \Delta 3$	WEIGHT	SCALE 6:1 SHEET 1 OF 1 REV E
CUSTOMER DRAWING			