

NOTES:

1. MATERIALS: HOUSING - LIQUID CRYSTAL POLYMER (LCP)
GLASS-FILLED, UL94V-0
TERMINALS - HIGH PERFORMANCE COPPER ALLOY
2. FINISH: 30µ INCH MIN GOLD IN CONTACT AREA.
SELECTIVE MATTE TIN ON PCB TAILS, NICKEL OVERALL.
3. REFER TO MOLEX PRODUCT SPECIFICATION PS-170540-999
FOR PERFORMANCE SPECIFICATIONS AND ADDITIONAL PCB INFORMATION.
4. REFER TO MOLEX PCB ROUTING GUIDE AS-76060-990 FOR ANTIPAD AND ROUTING RECOMMENDATIONS.
5. CONNECTORS SUPPLIED WITH A 2-56 UNC-2A SCREW.
6. *THESE DIMENSIONS REPRESENT THE AREA NEEDED TO ACCOMMODATE CONNECTOR INSERTION AND REPAIR ON THE PC BOARD. THIS IS REFERRED TO AS THE "CONNECTOR KEEP OUT ZONE" AND DOES NOT REPRESENT THE ACTUAL PERIMETER OF THE CONNECTOR. WHEN LAYING OUT THE PC BOARD FOR CONNECTORS STACKED TOGETHER, USE A 1.9mm PROGRESSION.*
7. THIS PART CONFORMS TO MOLEX COSMETIC SPEC PS-45499-002 CLASS B.
8. PARTS PACKAGED PER PK-70873-757.
9. SEE SHEETS 2 & 3 FOR PART NUMBERS AND BOARD RELATIONSHIPS.
10. FOR GROUNDED GUIDE PINS USE ϕ . 3.56 +/-0.08 (PTH), ϕ . 3.66 (DRILL) & ϕ 6.5 (PAD).
11. KEEP OUT ZONE FOR BP HOUSING LENGTH INCLUDES AN ADDITIONAL 1.0MM TO ACCOMMODATE FOR SPACE REQUIRED BY DC FRONT HOUSING.
12. MINIMUM CIRCUIT BOARD THICKNESS: 1.0mm

TAIL LENGTH
1.4

SECTION Z-Z

NOTCH DESIGNATES
ROW A

RIGHT GUIDED
BACKPLANE HOLE PATTERN
(CONNECTOR SIDE)
SEE NOTE 6

SEE PART NUMBER CHART
AND
PART NUMBER LOGIC
(12 HOLES PER COLUMN)

UNPLATED
SCREW HOLE
 ϕ 3.56 ±0.08

ADD 6-COL PARTS	QUALITY SYMBOLS
EC NO: UCP2013-1920	▽=0
DRWN: B INGHAM 2012/11/13	▽=0
CHKD: JLAURX 2012/11/13	▽=0
APPR: JLAURX 2012/11/16	
REV	DESCRIPTION

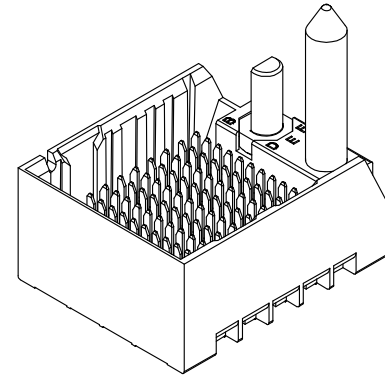
GENERAL TOLERANCES (UNLESS SPECIFIED)	
mm	INCH
4 PLACES ± ---	± ---
3 PLACES ± ---	± ---
2 PLACES ± 0.13	± ---
1 PLACE ± 0.25	± ---
0 PLACE ± ---	± ---
ANGULAR ±1/2°	
DRAFT WHERE APPLICABLE MUST REMAIN WITHIN DIMENSIONS	

DIMENSION STYLE	
MM ONLY	
DRAWN BY	DATE
JB INGHAM	2010/05/18
CHECKED BY	DATE
JLAURX	2010/05/18
APPROVED BY	DATE
JLAURX	2012/11/16
MATERIAL NO.	
SEE CHART	

SCALE	DESIGN UNITS	THIRD ANGLE PROJECTION
4:1	METRIC	
TITLE		
IMPACT 4-PAIR 85-OHM RIGHT GUIDED BACKPLANE SALES ASSEMBLY DRAWING		
molex		
DOCUMENT NO.	SHEET NO.	
SD-170335-0003	1 OF 3	
THIS DRAWING CONTAINS INFORMATION THAT IS PROPRIETARY TO MOLEX INCORPORATED AND SHOULD NOT BE USED WITHOUT WRITTEN PERMISSION		

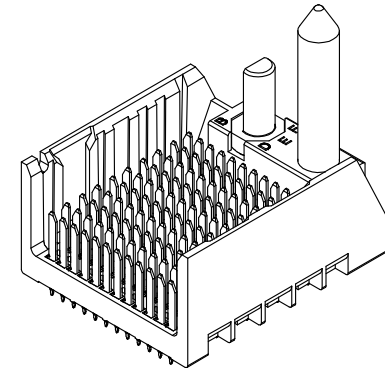
PART NUMBER CHART

MATERIAL NUMBER	# OF COLUMNS	# OF DIFF PAIR	DIM "A"	DIM "B"	GUIDE RIGHT END WALL OPTION
170335-93**	6	24	19.3	9.50	
170335-98**	8	32	23.1	13.30	
170335-91**	10	40	26.9	17.10	
170335-92**	12	48	30.7	20.90	
170335-94**	14	56	34.5	24.70	
170335-96**	16	64	38.3	28.50	



GUIDE RIGHT
END WALL
OPTION

MATERIAL NUMBER	# OF COLUMNS	# OF DIFF PAIR	DIM "A"	DIM "B"	GUIDE RIGHT OPEN WALL OPTION
170335-53**	6	24	17.9	9.50	
170335-58**	8	32	21.7	13.30	
170335-51**	10	40	25.5	17.10	
170335-52**	12	48	29.3	20.90	
170335-54**	14	56	33.1	24.70	
170335-56**	16	64	36.9	28.50	



GUIDE RIGHT
OPEN WALL
OPTION

PART NUMBER LOGIC

170335-****

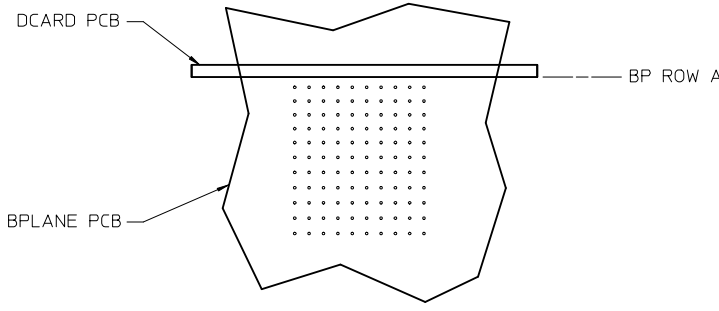
MODULE TYPE
5 = GUIDE RIGHT, MATTE TIN
9 = GUIDE RIGHT END WALL, MATTE TIN

PIN LENGTH (P)
3 = 4.50 (SHORT COMPLIANT, 0.46±0.05 PTH)
4 = 4.90 (SHORT COMPLIANT, 0.46±0.05 PTH)
5 = 5.50 (SHORT COMPLIANT, 0.46±0.05 PTH)
6 = 4.50 (MICRO COMPLIANT, 0.39±0.05 PTH)
7 = 4.90 (MICRO COMPLIANT, 0.39±0.05 PTH)
8 = 5.50 (MICRO COMPLIANT, 0.39±0.05 PTH)

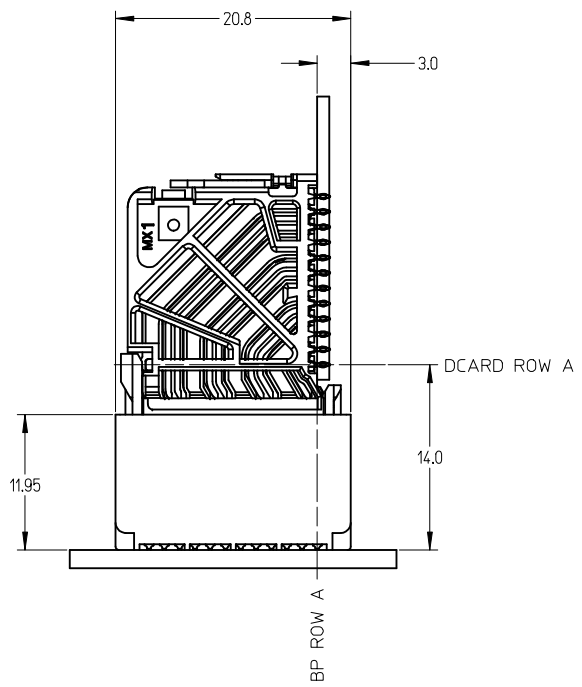
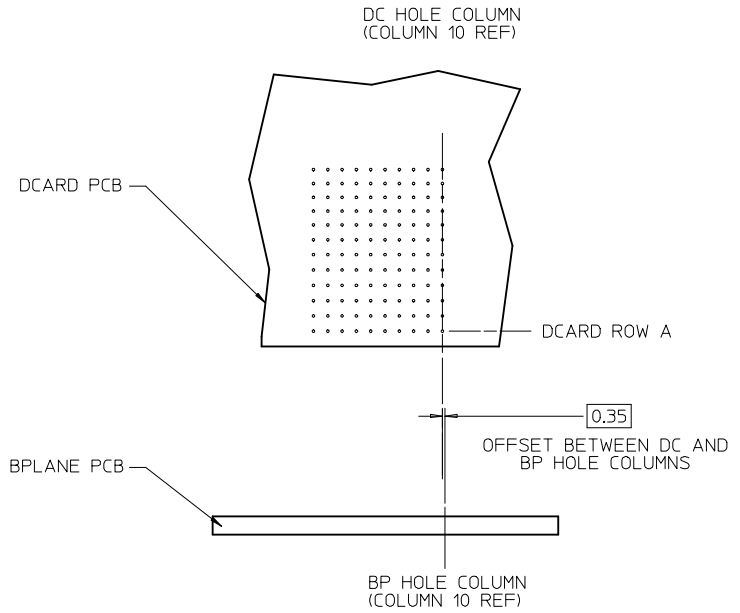
OF COLUMNS
1 = 10 COL
2 = 12 COL
3 = 6 COL
4 = 14 COL
6 = 16 COL
8 = 8 COL

KEY ORIENTATION
0 = NO KEY
1 = A
2 = B
3 = C
4 = D
5 = E
6 = F
7 = G
8 = H

SEE SHEET 1 EC NO: UCP2013-1920 DRAWN: JB INGHAM 2012/11/13 CHKD: JLAURX 2012/11/13 APPR: JLAURX 2012/11/16	QUALITY SYMBOLS	GENERAL TOLERANCES (UNLESS SPECIFIED)		DIMENSION STYLE MM ONLY		SCALE 1:1	DESIGN UNITS METRIC	THIRD ANGLE PROJECTION	
	▽=0	4 PLACES ± ---	INCH	DRAWN BY	DATE	TITLE IMPACT 4-PAIR 85-OHM RIGHT GUIDED BACKPLANE SALES ASSEMBLY DRAWING molex MATERIAL NO. SD-170335-0003 DOCUMENT NO. SD-170335-0003 SHEET NO. 2 OF 3			
	▽=0	3 PLACES ± ---	mm	CHECKED BY	DATE				
	▽=0	2 PLACES ± 0.13		JLAURX	2010/05/18				
	▽=0	1 PLACE ± 0.25		APPROVED BY	DATE				
▽=0	0 PLACE ± ---		JLAURX	2012/11/16					
		ANGULAR ±1/2°		DRAFT WHERE APPLICABLE MUST REMAIN WITHIN DIMENSIONS		THIS DRAWING CONTAINS INFORMATION THAT IS PROPRIETARY TO MOLEX INCORPORATED AND SHOULD NOT BE USED WITHOUT WRITTEN PERMISSION			



IMPACT 4 PAIR
BOARD RELATIONSHIPS



SEE SHEET 1	EC NO: UCP2013-1920	QUALITY SYMBOLS ▽=0 ▽=0 ▽=0	GENERAL TOLERANCES (UNLESS SPECIFIED)		DIMENSION STYLE MM ONLY		SCALE 3:1	DESIGN UNITS METRIC	THIRD ANGLE PROJECTION		
	DRWN:JBINGHAM 2012/11/13		4 PLACES ± --- ± ---	mm	INCH	DRAWN BY JBINGHAM	DATE 2010/05/18	TITLE IMPACT 4-PAIR 85-OHM RIGHT GUIDED BACKPLANE SALES ASSEMBLY DRAWING			
	CHKD:JLAURX 2012/11/13		3 PLACES ± --- ± ---			CHECKED BY JLAURX	DATE 2010/05/18				
	APPR:JLAURX 2012/11/16		2 PLACES ± 0.13 ± ---			APPROVED BY JLAURX		DATE 2012/11/16	MATERIAL NO. SEE CHART		
REV	DESCRIPTION	1 PLACE ± 0.25 ± ---			DOCUMENT NO. SD-170335-0003		SHEET NO. 3 OF 3				
			ANGULAR ±1/2°		DRAFT WHERE APPLICABLE MUST REMAIN WITHIN DIMENSIONS		THIS DRAWING CONTAINS INFORMATION THAT IS PROPRIETARY TO MOLEX INCORPORATED AND SHOULD NOT BE USED WITHOUT WRITTEN PERMISSION				