

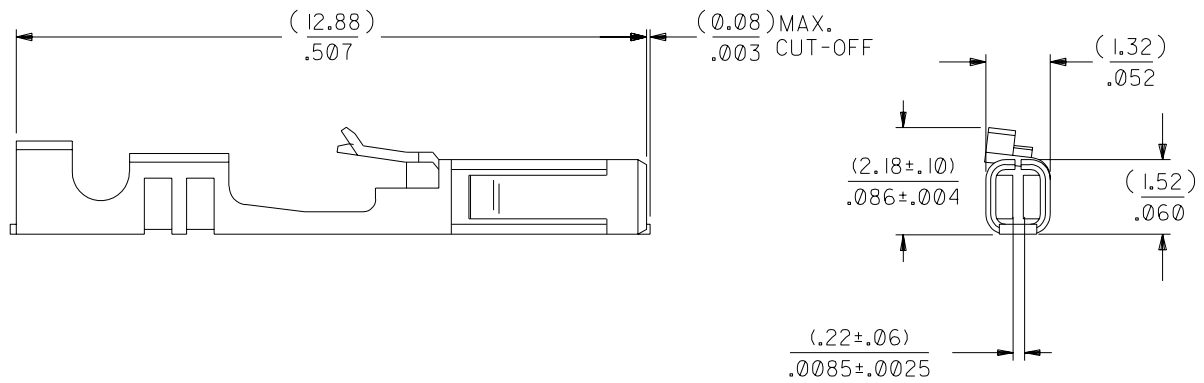
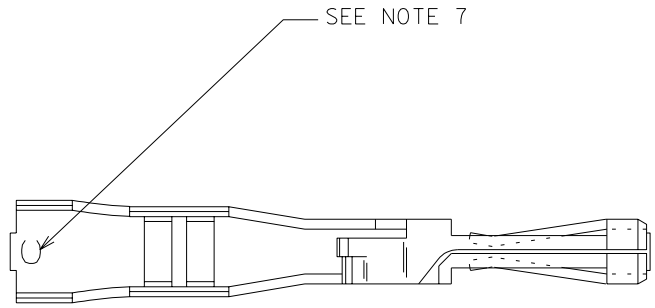
**NOTES:**

1. TERMINAL TO BE USED IN HOUSINGS 70066-\*\*\*\* AND 70450-\*\*\*\*
2. REFER TO PRODUCT SPECIFICATION PS-70058
3. REFER TO MOLEX OPERATIONS AND SERVICE MANUAL FOR CRIMP DETAILS
4. TERMINAL TO BE USED WITH (0.64)/.025 SQUARE PINS
5. TERMINAL TO BE USED WITH 22-24 AWG STRANDED WIRE WITH (1.63)/.064 MAX. DIA. INSULATION
6. TERMINALS SUPPLIED LOOSE PER DRAWING PK-70873-0822
7. CRIMP SIZE INDICATOR C=22-24 AWG

\*THE PRIMARY SHIPPING CARTON WILL BE LABELED "COMPLIANT TO RoHS DIRECTIVE 2002/95/EC AND ELV ANNEX II OF DIRECTIVE 2000/53/EC". CARTONS WITHOUT THIS LABEL MAY CONTAIN PRODUCT WITH LEAD.

**PLATING:**

.000030 MIN. GOLD PLATE IN SELECT AREA,  
 .000075 MIN. TIN PLATE IN SELECT AREA,  
 OVER NICKEL PLATE OVERALL.



D	LEAD FREE UCP2004-1769 RWHITE 04/03/11	CI	REVISED PER ECR #U70928 MCGRATH 97/06/26
C3	ADD CRP SIZE&NOTE 7 ECN UDT1998-0183 MOWANG 04/17/98	C	REVISE PER ECR# U82218 11-07-88 MJM/MGB
C2	REVISED ECR #U80270 MCGRATH 97/07/31	B	REDRAWN & REVISED PER ECR #U81133 03/02/88 MJM/JAS
LTR.	REVISIONS	LTR.	REVISIONS

DIMENSIONS SHOWN (METRIC) INCH	
UNLESS OTHERWISE SPECIFIED TOLERANCES: ANGULAR ± 1/2°	
3 PLACE	± .005 ---
2 PLACE	± .01 ± 0.13
1 PLACE	--- ± 0.25
DRAFT WHERE APPLICABLE MUST REMAIN WITHIN DIMENSIONS	
DRWG. BY: JAS	CHK'D. BY:
APP'D. BY:	SCALE 10:1

▽ = 0	▼ = 0	REVISE ONLY ON CAD SYSTEM	
TITLE TERMINAL - BOX/CRIMP			
MOLEX INCORPORATED LISLE, ILL. 60532 U.S.A.		SHEET NO. 1 OF 1	DATE 03/02/88
PART NO. 016-02-0104		DRWG. NO. SD-70058-0226	
FILE NAME S70058C8 DGN	THIS DRAWING CONTAINS INFORMATION THAT IS PROPRIETARY TO MOLEX INC. AND SHOULD NOT BE USED WITHOUT WRITTEN PERMISSION.		DIV. SIZE DA B