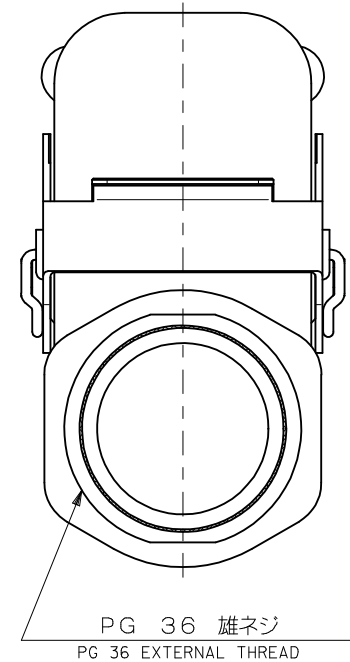
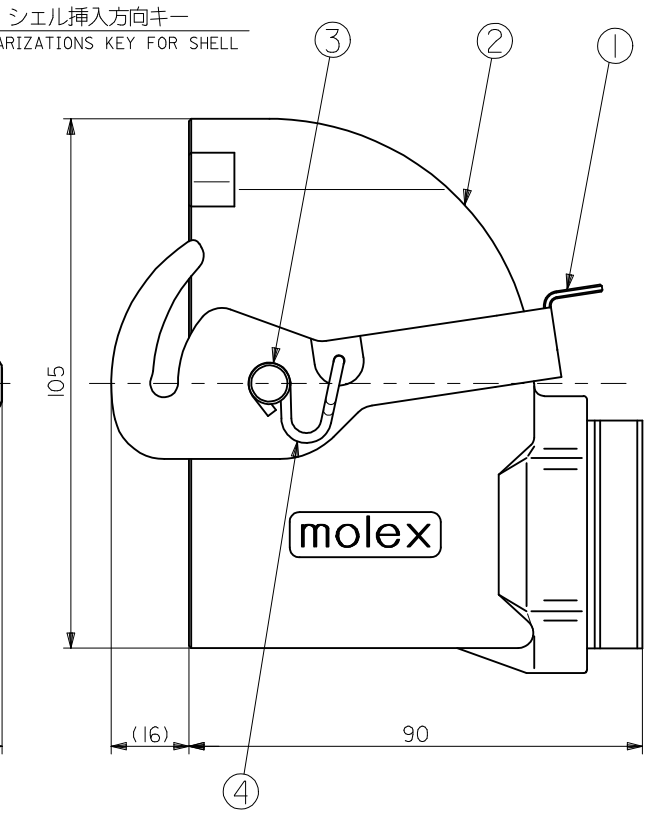
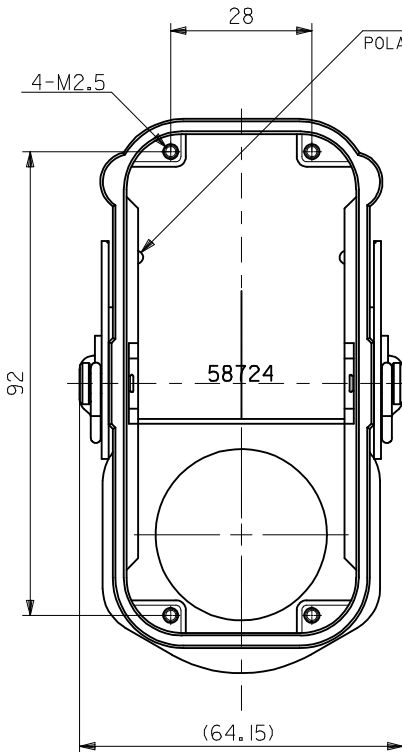


10 9 8 7 6 5 4 3 2 1

部番 No.	部品名 PART NAME	数量 QTY.	材質 MATERIAL	記事 ARTICLE
①	レバー LEVER	1	鋼 STEEL	塗装処理 PAINTING
②	プラグカバー PLUG COVER	1	アルミニウム合金 ALUMINIUM ALLOY	—#—
③	ロックピン LOCKING PIN	2	ステンレス STAINLESS STEEL	—#—
④	レバースプリング LEVER SPRING	2	ステンレス STAINLESS STEEL	—#—



- 注記:  
NOTES:
- 適用プラグシエルアセンブリ  
APPLICABLE PLUG SEHLL ASS'Y  
1) TYPE A : 58721-0010  
2) TYPE B : 58721-0020
  - 適用エンドベルキャップセット  
APPLICABLE END BELL CAP SET  
58866-\*\*\*\*

58723-0010	58723-0010
MATERIAL NO.	MODEL NO.

REVISED EC NO: J2009-0816 DRWN: YMAEDA 2008/11/05 CHKD: NUKITA 2008/12/19 APPR: NUKITA 2008/12/19	GENERAL TOLERANCES (UNLESS SPECIFIED)	DIMENSION STYLE MM ONLY	SCALE 1:1	DESIGN UNITS METRIC	THIRD ANGLE PROJECTION
	10 UNDER ±0.2	DRAWN BY SAKIYAMA	DATE 1998/09/14	TITLE POWER CONN 48P PLUG COVER ASS'Y	
	10 OVER 30 UNDER ±0.25	CHECKED BY YITO	DATE 1998/09/21	MOLEX INCORPORATED	
	30 OVER ±0.3	APPROVED BY HIKESUGI	DATE 1998/09/21	DOCUMENT NO. SD-58723-002	SHEET NO. 1 OF 1
	ANGULAR ±3 ° DRAFT WHERE APPLICABLE MUST REMAIN WITHIN DIMENSIONS	MATERIAL NO. SEE CHART	THIS DRAWING CONTAINS INFORMATION THAT IS PROPRIETARY TO MOLEX INCORPORATED AND SHOULD NOT BE USED WITHOUT WRITTEN PERMISSION		