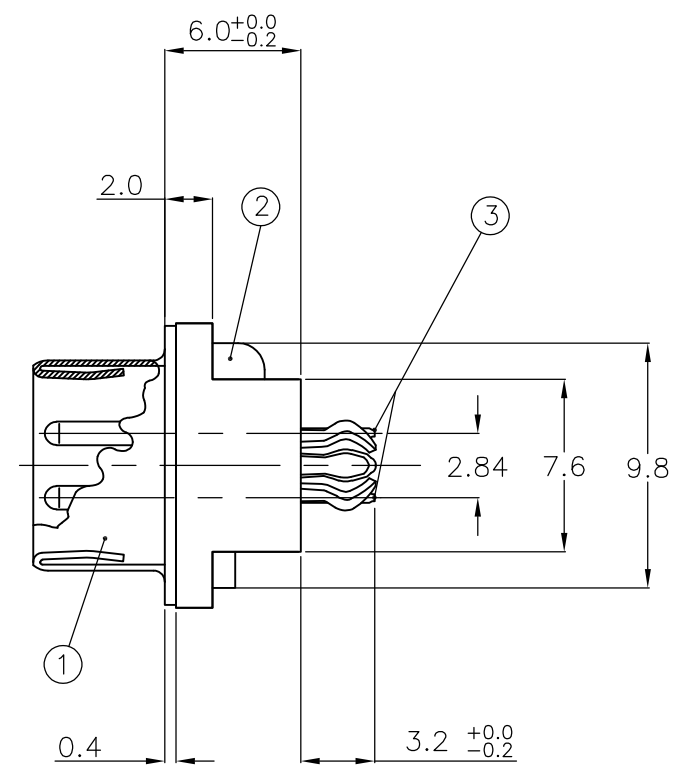
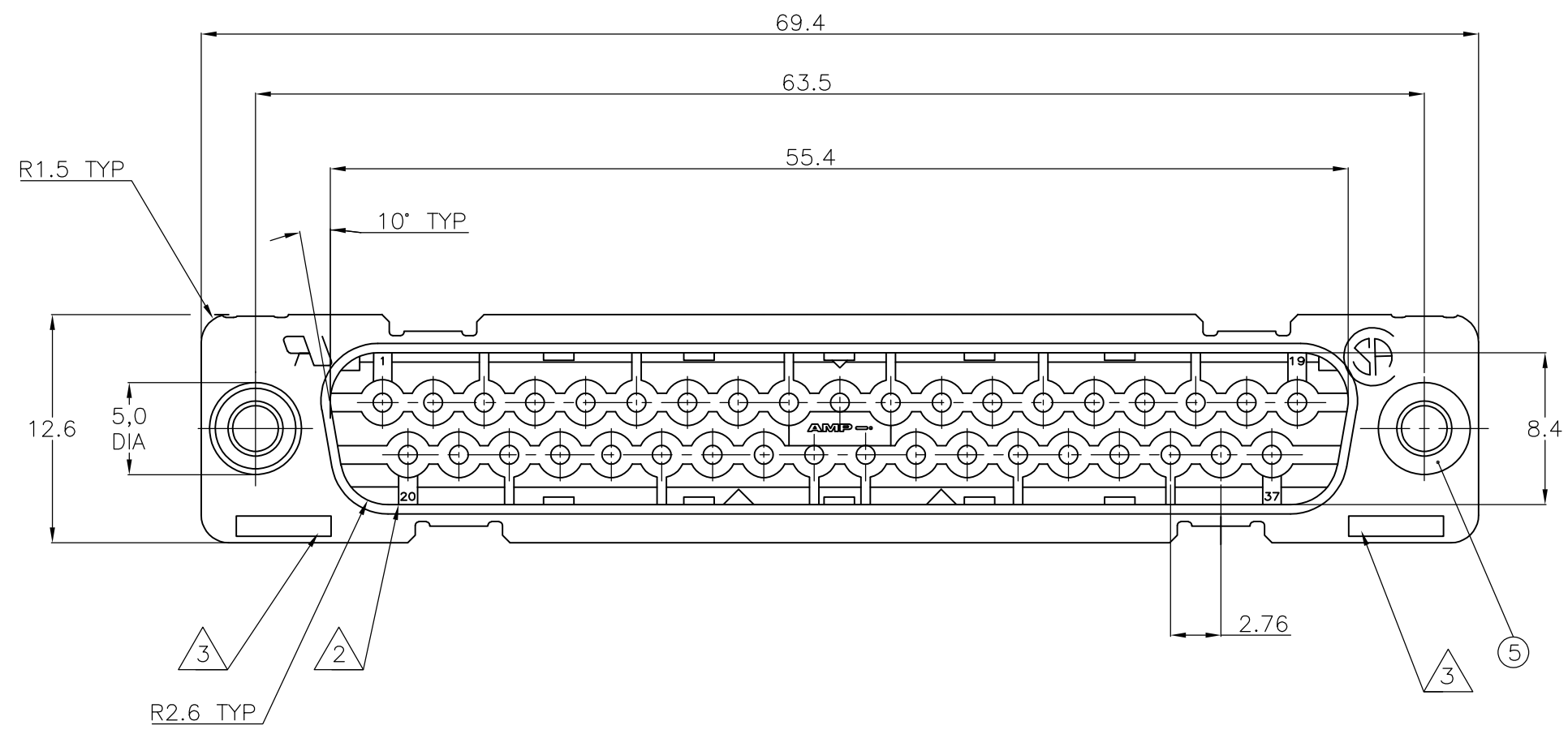
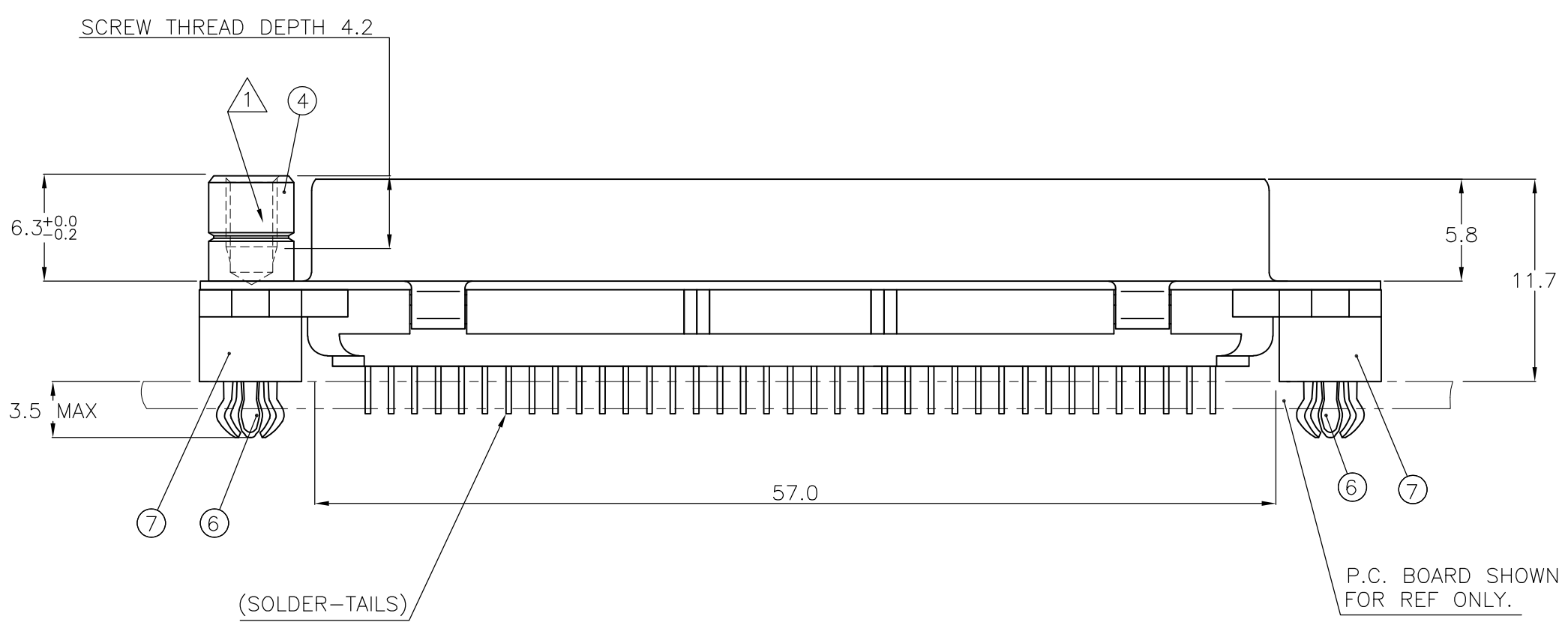


THIS DRAWING IS UNPUBLISHED. RELEASED FOR PUBLICATION  
 © COPYRIGHT - By - ALL RIGHTS RESERVED.

LOC	DIST	REVISIONS					
GP	00	P	LTR	DESCRIPTION	DATE	DWN	APVD
		H		REVISED PER ECO-15-005898	27APR2015	AP	SB

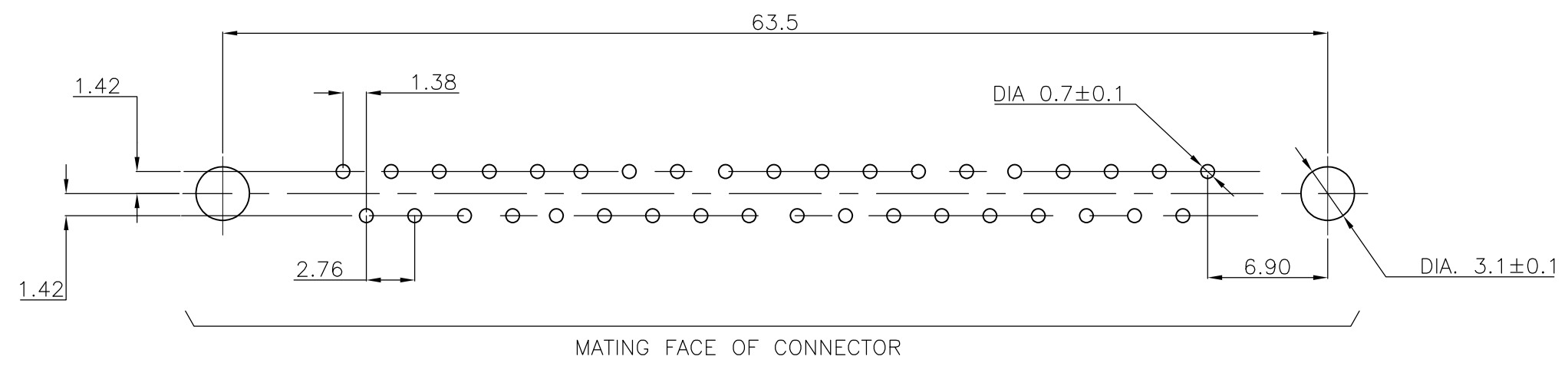


ACCESSORIES	ITEM NO	DESCRIPTION OF ACCESSORY	1	2	3	4	5	6	7	8	9
	5	BUSHING WITH THROUGH HOLE $\phi$ 3.1.									
	5	BUSHING WITH THREAD 4-40 UNC		2						2	
	5	BUSHING WITH THREAD M3			2						2
	4	FEMALE SCREWLOCK WITH THREAD 4-40 UNC				2					2
	4	FEMALE SCREWLOCK WITH THREAD M3					2				2
	6	BOARDLOCK		2	2	2	2				



- ① GROOVE INDICATES VERSION WITH 4-40 UNC INNER THREAD; WITHOUT GROOVE INDICATES VERSION WITH M3 INNER THREAD.
- ② CAVITY IDENTIFICATION AT FRONT SIDE ONLY.
- ③ PART NUMBER AND DATE CODE.
- 4 WHEN BOARDLOCKS ARE USED, CONNECTOR CAN BE USED FOR PCB THICKNESS OF 1.6 ONLY.
- 5 SHELL HAS 2x12 GROUNDING SPRINGS; PITCH IS 3.6.
- 6 AIR AND CREEPAGE DISTANCES ACCORDING TO DIN 41652.
- 7 CONTACT FINISH: GOLD FLASH OVER PALLADIUM-NICKEL PLATE OR GOLD PLATE ON THE MATING SURFACES, TIN PLATE ON THE SOLDER-TAILS, NICKEL UNDERPLATE ON THE ENTIRE CONTACT. MATING SURFACE FINISH MEETS LEVEL 2 PER DIN 41652.

RECOMMENDED P.C. BOARD HOLE-LAYOUT



- ITEM NO/MATERIAL :
- ① SHELL : BRIGHT TIN PLATED STEEL
  - ② HOUSING : GLASS FILLED POLYESTER, COLOR : BLACK
  - ③ CONTACTS : PHOSPHOR BRONZE (PLATING : SEE NOTES)
  - ④ FEMALE SCREWLOCK : TIN PLATED STEEL (INNER THREAD 4-40 UNC OR M3)
  - ⑤ BUSHING : TIN PLATED STEEL (INNER THREAD 4-40 UNC OR M3 OR  $\phi$ 3.1 THROUGH HOLE)
  - ⑥ BOARDLOCK : TIN PLATED PHOSPHOR BRONZE
  - ⑦ STAND-OFF : GLASS FILLED NYLON COLOR : BLACK

THIS DRAWING IS A CONTROLLED DOCUMENT. DIMENSIONING AND TOLERANCING PER ASME Y14.5M-2009		DWN J.V.LIEMPT 03JUL97		
		CHK C.SOUISA 09SEP97		
DIMENSIONS: mm		APVD E.LEIJTENS 09SEP97	NAME	
TOLERANCES UNLESS OTHERWISE SPECIFIED:		PRODUCT SPEC		
0 PLC ± -		APPLICATION SPEC		
1 PLC ± 0.3		WEIGHT		
2 PLC ± 0.15		SIZE A2		
3 PLC ± -		CAGE CODE 00779		
4 PLC ± -		DRAWING NO C=338312		
ANGLES ± -		RESTRICTED TO		
FINISH		SCALE NTS SHEET 1 OF 1 REV H		
MATERIAL		CUSTOMER DRAWING		