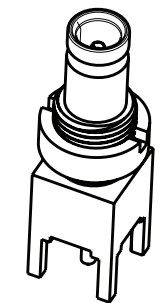
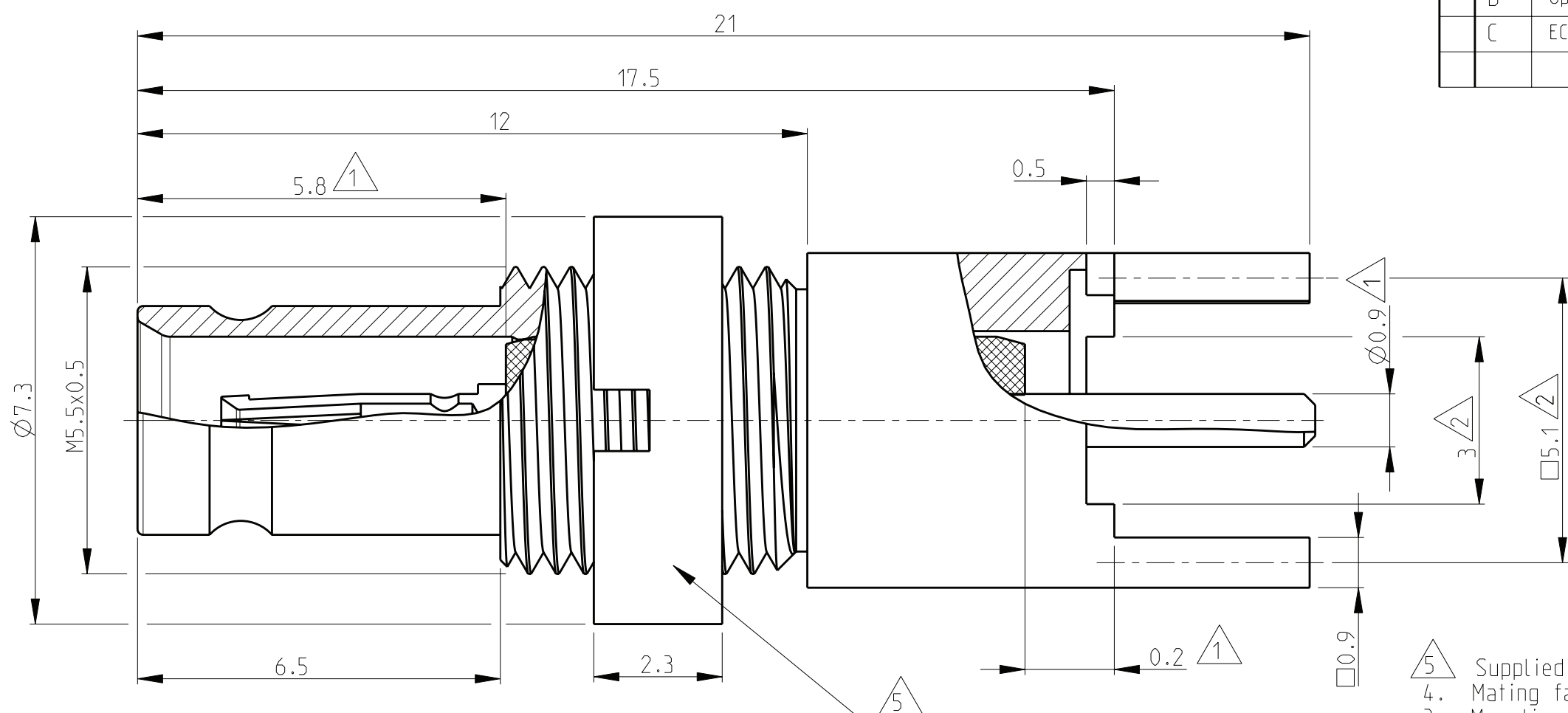
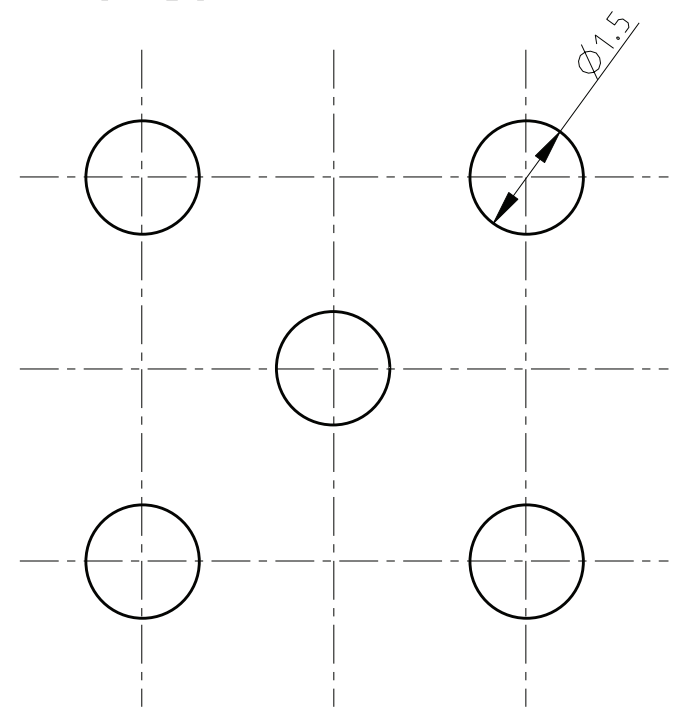


LOC	DIST	REVISIONS			
P	LTR	DESCRIPTION	DATE	DWN	APVD
IS	-	A1	SR10-0138-01	05APR2001	CM KM
		B	Update drawing	18.07.2006	AM DB
		C	ECR-07-018918	29OCT07	AN DB



2:1

Recommended PCB layout
Pitch 2.54 mm



- 5 Supplied as loose part
- 4. Mating face according to DIN 47297 and CECC 22230
- 3. Mounting requirements : PCB with Pitch 2.54
Thickness of PCB : ± 3mm
Diameter of bores : 1.5 mm
- 2 Nominal dimension
- 1 Minimum dimension

All dimensions are max dimensions unless otherwise specified

V23614-A1027-J1	8-1393670-3	Dielectric	PTFE	-
		Outer Cond.	Brass	min. 0.1µm Au over min. 2µm NiP
		Center Cond.	CuBe/Bronze	min. 0.1µm Au over min. 2µm NiP
Old P/N	TE P/N	Description	Material	Plating

THIS DRAWING IS A CONTROLLED DOCUMENT FOR TYCO ELECTRONICS CORPORATION IT IS SUBJECT TO CHANGE AND THE CONTROLLING ENGINEERING ORGANIZATION SHOULD BE CONTACTED FOR THE LATEST REVISION.		DWN MOROBE 02APR2001 CHK MATTHEEWS 4apr2001 APVD hozzer 5apr2001		Tyco Electronics Tyco Electronics CH - Switzerland - Lugano	
DIMENSIONS: mm		TOLERANCES UNLESS OTHERWISE SPECIFIED: 0 PLC ± 1 PLC ± 2 PLC ± 3 PLC ± 4 PLC ± ANGLES ±		NAME BULKHEAD JACK WITH PCB CONNECTION 1.0/2.3 75 Ohm	
MATERIAL -		FINISH -		PRODUCT SPEC 108-71032 APPLICATION SPEC - WEIGHT -	
		SIZE A3 CAGE CODE 00779 DRAWING NO C-8-1393670-3		RESTRICTED TO -	
		SCALE 10:1		SHEET 1 OF 1 REV C	

