

P | Cabling

RJ45 field plug pro

The new field-assembly fully shielded and multiport-capable RJ45 connector in 180° or 360° version (variable cable entry)



Members of METZ CONNECT

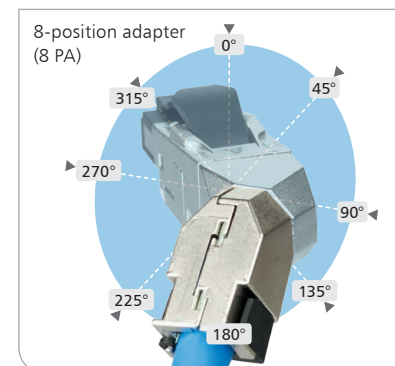
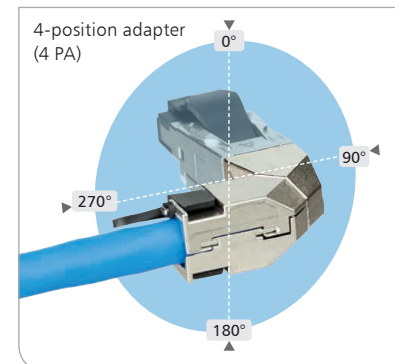
The RJ45 field plug pro

Whether in structured building cabling, in computer centers of up to 10 GBit or in industry: Wherever high-performance and reliable connections are desired without great expenditure, the field-assembled RJ45 field plug pro from METZ CONNECT is exactly the right choice.

The RJ45 field plug pro is available in a 4-pair and a 2-pair version. It can be connected in a time-saving way to all common cable types without much preparation – its new design allows its use in restricted spaces. The 360° version with multiple cable outlet makes for flexible use of the connector. The two rear position adapters 4 PA (4 x 90°) and 8 PA (8 x 45°) thus allow a total of 32 cable positions. This also allows jacks that are difficult to access to be reached reliably without problems and without high bending radii. Despite the many different positions the 4-pair version meets the transmission properties according to Cat.6A/Class E_A.

In tune with the usual quality of METZ CONNECT products, the RJ45 field plug pro impresses with its robust zinc die-cast housing for industrial use and a protected latch. Its compact design makes the connector multiport-capable while being fully shielded.

The RJ45 field plug pro is, of course, also suitable for Power over Ethernet (PoE, PoE plus and UPoE) as well as for industry standards such as PROFINET or EtherNet/IP and can be connected without the need for special tools.



Performance overview

- field-assembled RJ45 connector Cat.6_A/Class E_A (4-pair) or Cat.5 (2-pair), type of protection IP20
- straight cable entry (180°) or variable, freely selectable (360°)
- fully shielded and multiport-capable
- easy assembly – can be connected without special tools
- wire connection stranded wire AWG 27/7 to 22/7, wire diameter 0.46 to 0.76 mm
- wire connection solid wire AWG 26/1 to 22/1, wire diameter 0.4 to 0.64 mm
- wire diameter up to 1.6 mm
- transmission properties Cat.6_A (4-pair) or Cat.5 (2-pair) to ISO/IEC 11801 Ed.2.2:2011-06
- compliance with Class E_A (4-pair) or Class D (2-pair) to ISO/IEC 11801 Ed.2.2:2011-06, DIN EN 50173-1:2011-09
- suitable for 10 GBit (4-pair) to IEEE 802.3an and for 100 MBit (2-pair) to IEEE 802.3u
- suitable for Remote Powering (PoE, PoE plus and the 4-pair version also for UPoE) and HDBaseT
- suitable for cable sheath diameters of 5.5 to 10.5 mm
- zinc die-cast housing for industrial use, 2-part for 180° version or 4-part for 360° version
- strain relief snapped on directly to stuffer cap and protected catch
- reconnectable, when using the same or a larger cross section
- variable cable entry 4 x 8 positions possible (only with C6_A RJ45 field plug pro 360° and C5 RJ45 field plug pro 360°)

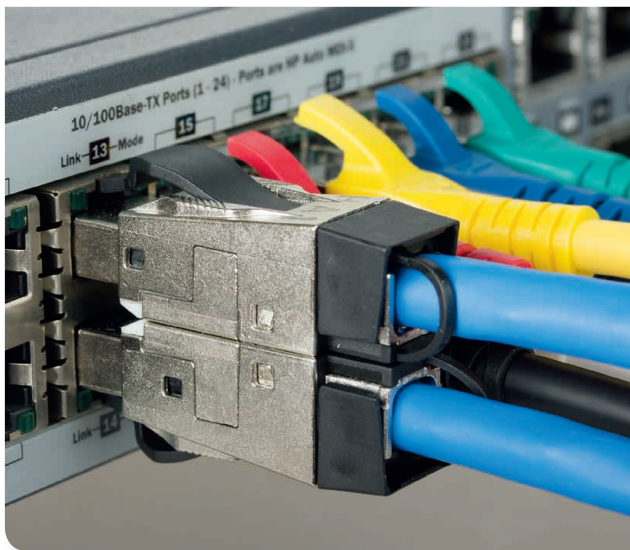


C6_A RJ45 field plug pro
Straight cable entry (180°)



C6_A RJ45 field plug pro 360
Variable cable entry, freely selectable (360°)

Applications RJ45 field plug pro



Multiport capability – Network distribution



Multiport capability – Network distribution



Direct connection – IP camera



Direct connection – Industrial distributors



Direct connection – Building automation

Products from our P|Cabling range



C6A RJ45 field plug pro



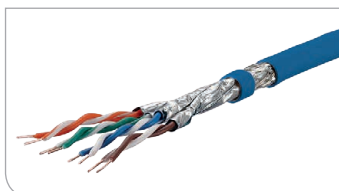
C6A RJ45 field plug pro 360



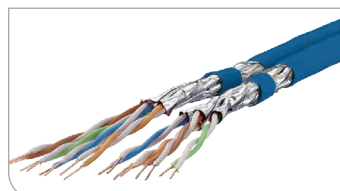
C5 RJ45 field plug pro 2P



C5 RJ45 field plug pro 2P 360



GC1200 pro22 Cat.7A S/FTP LSHF-FR



GC1000 plus23 Cat.7 S/FTP 2 x 4P LSHF-FR



Cable connector Class Fa



C6A modul 180° Jack

Order data

Plugs 4-pair

C6A RJ45 field plug pro

130E405032-E 180°

130E405042-E 360°

Plugs 2-pair

C5 RJ45 field plug pro 2P

130E405032PE 180°

130E405042PE 360°

Installation cables

GC1200 pro22 Cat.7A S/FTP LSHF-FR

1308427A3424M simplex

1308427A34241 500 m drum

1308427A34242 1000 m drum

GC1000 plus23 Cat.7 S/FTP 2x4P LSHF-FR

1308427032144 duplex

1308427032143 500 m drum

Cable connector

Cable connector Class Fa

130863-02-E

Module inserts

C6A modul 180° Jack

130B11-E

C6A modul 270° Jack

130B12-E

C6A modul 90° Jack

130B13-E

METZ CONNECT GmbH is member in the following organizations and associations.



METZ CONNECT GmbH

Im Tal 2
78176 Blumberg
Germany

Phone +49 7702 533-0
Fax +49 7702 533-189

info@metz-connect.com
www.metz-connect.com

METZ CONNECT USA Inc.

200 Tornillo Way
Tinton Falls, NJ 07712
USA

Phone +1-732-389-1300
Fax +1-732-389-9066

METZ CONNECT France SAS

28, Rue Schweighaeuser
67000 Strasbourg
France

Phone +33 3886 170 73
Fax +33 3886 194 73

METZ CONNECT

Bredaseweg 185
4872 LA Etten-Leur
Netherlands

Phone +31 76 508 34 10
Fax +31 76 508 35 01

METZ CONNECT Zhongshan Ltd.

Ping Chang Road
Ping Pu Industrial Park
Sanxiang Town
Zhongshan City, 528463
Guangdong Province
China

Phone +86 760 86365 055
Fax +86 760 86365 050

METZ CONNECT Asia Pacific Ltd.

Suite 1803, 18/F
Chinachem Hollywood Centre,
1 Hollywood Road, Central
Hong Kong

Phone +852 26 027 300
Fax +852 27 257 522

Members of METZ CONNECT



DQS-zertifiziert nach
DIN EN ISO 9001 - Reg.-Nr. 1514-03