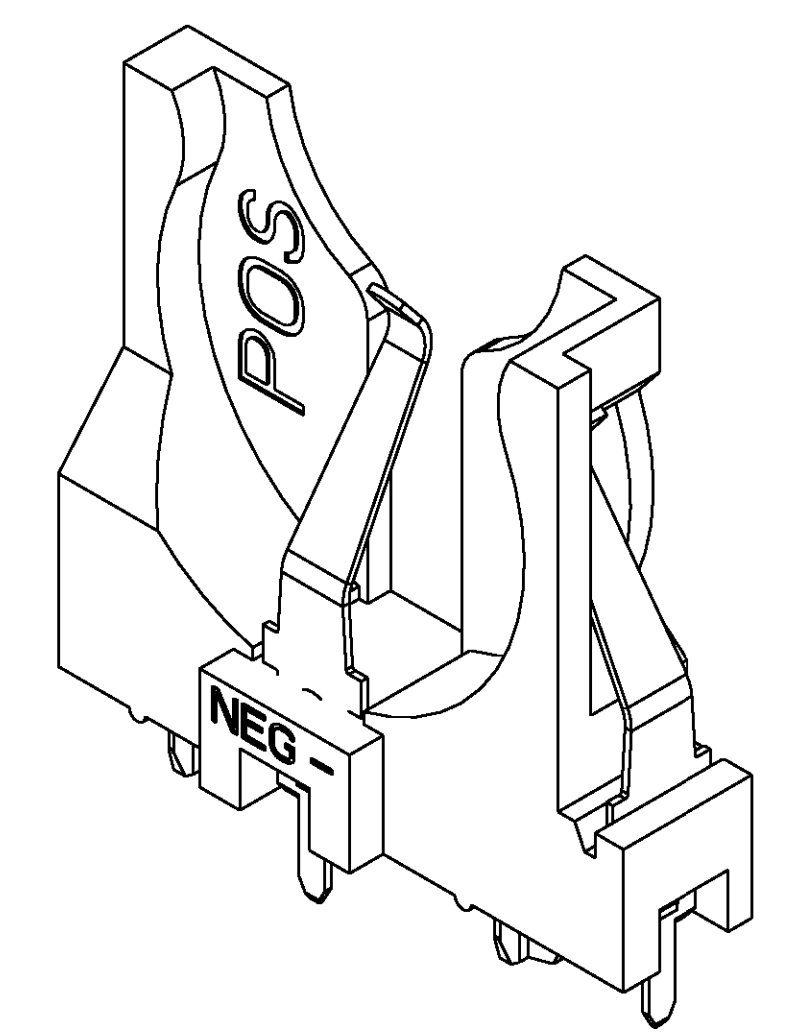
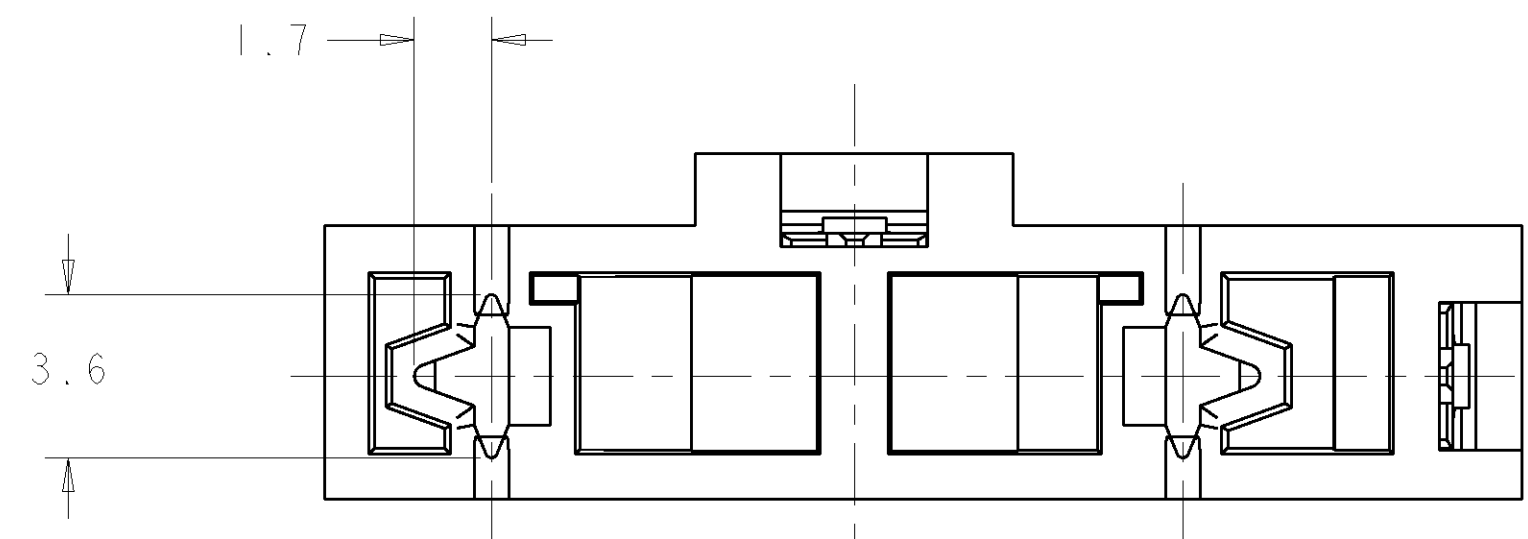
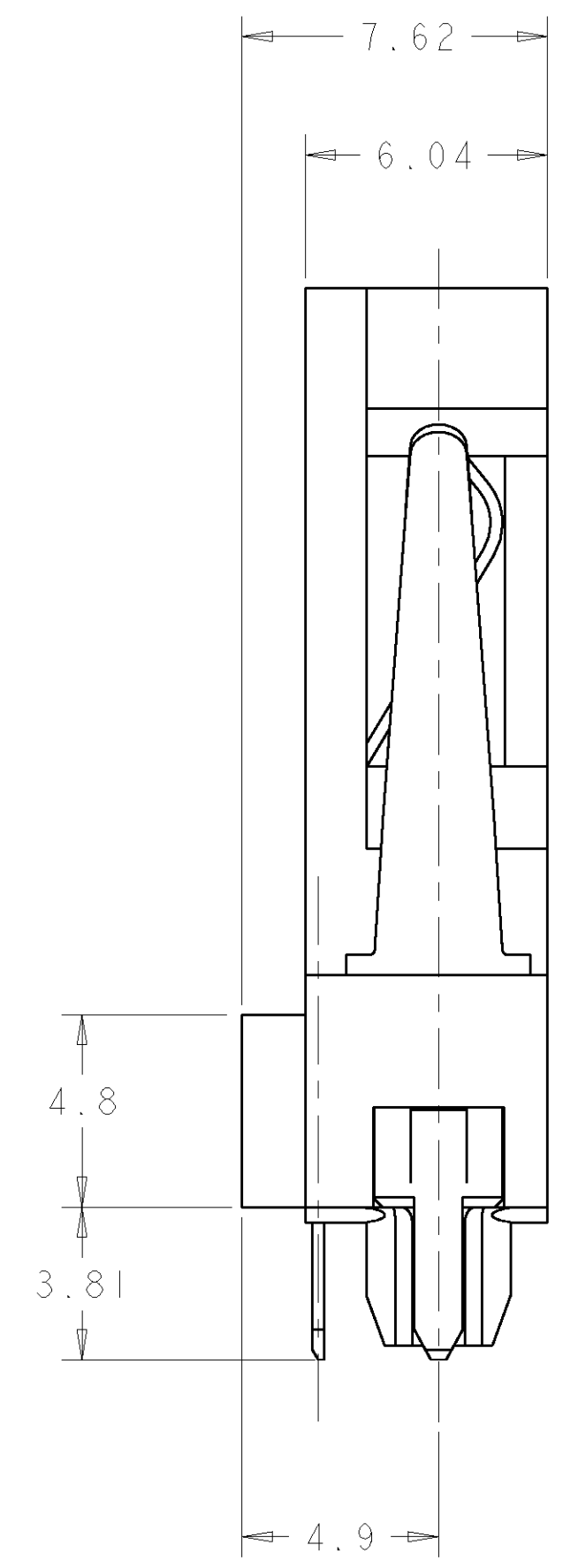
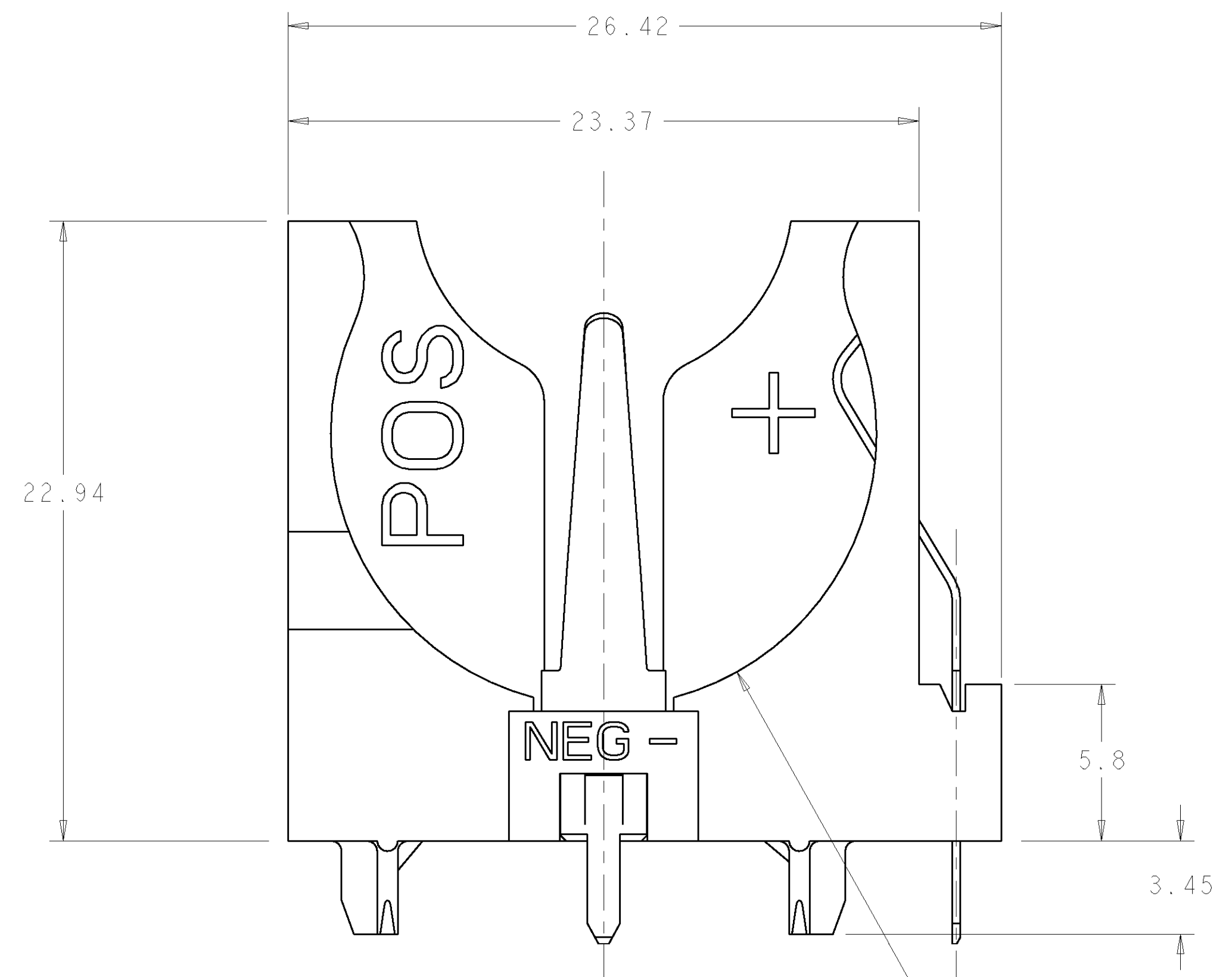
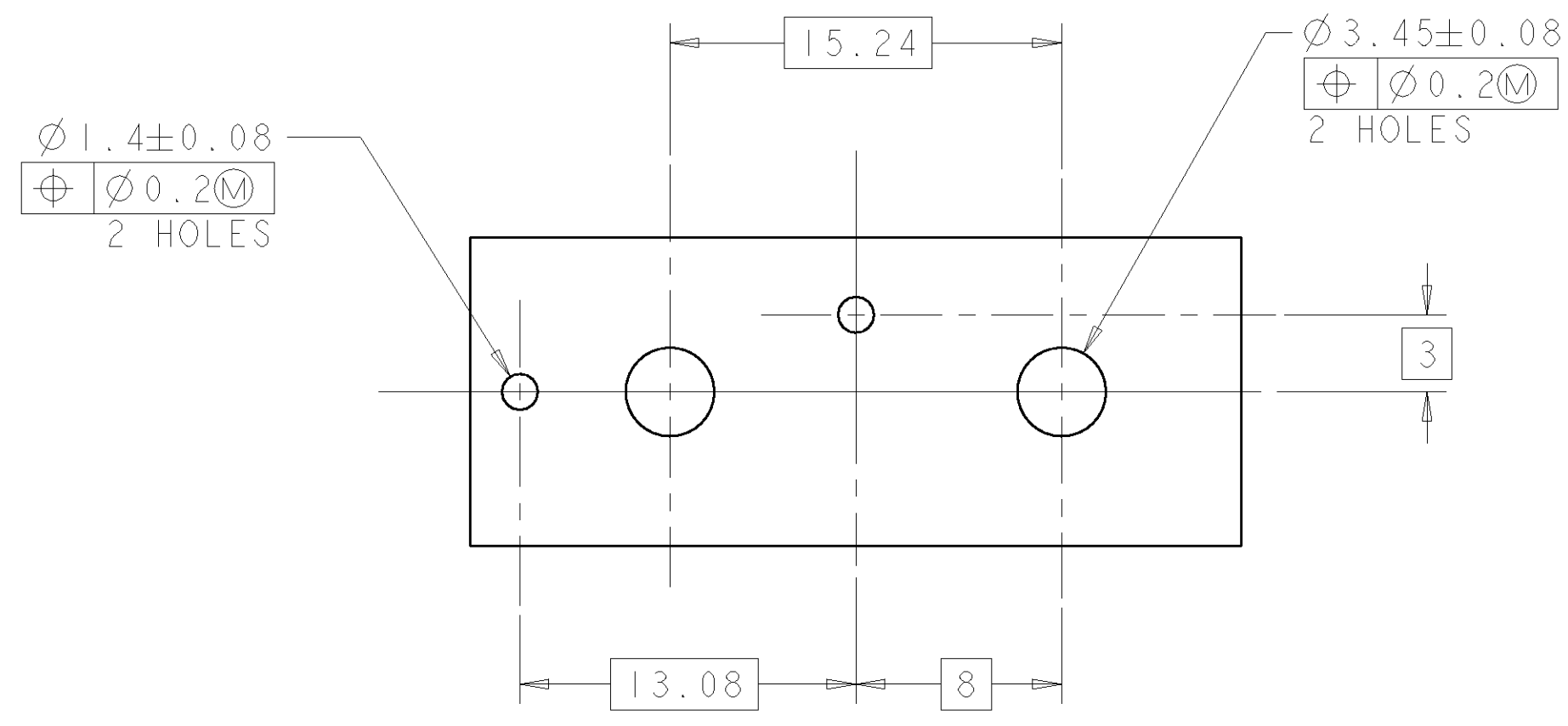


| LOC |    | DIST |     | REVISIONS    |               |         |      |      |
|-----|----|------|-----|--------------|---------------|---------|------|------|
| ES  | 00 | P    | LTR | DESCRIPTION  | DATE          | DWN     | APVD |      |
|     |    | 0    |     | RELEASED PER | ECR-05-001438 | 07APR05 | J.Z  | L.E. |
|     |    |      |     |              |               |         |      |      |
|     |    |      |     |              |               |         |      |      |



SCALE 4:1



PC BOARD LAYOUT VIEWED FROM COMPONENT SIDE OF BOARD  
 SCALE 4:1

⚠ MATERIAL: CONNECTOR HOUSING- PBT, GLASS FILLED, UL-94V-0 FLAME CLASS RATING, BLACK.  
 CONTACTS- STAINLESS STEEL, TIN COATED 0.0015-0.0040 THICK OVER NICKEL 0.0015 MIN THICK.  
 2. CONNECTOR ACCEPTS BATTERY NUMBER CR2032.

THIS PRODUCT HAS NOT BEEN QUALIFIED BY TYCO ENGINEERING

6339488-1  
 PART NO.

|                  |         |  |         |                          |         |   |  |
|------------------|---------|--|---------|--------------------------|---------|---|--|
| DIMENSIONS:      |         | TOLERANCES UNLESS OTHERWISE SPECIFIED: |         | DWN: Vlk Slack 12JUN2001 |         | Tyco Electronics Tyco Electronics Harrisburg, PA 17105-3608 |  |
| mm               | 0 PLC ± | 1 PLC ±                                | 2 PLC ± | 3 PLC ±                  | 4 PLC ± | NAME: Randy Simmons 31MAY2002                               |  |
| MATERIAL: -      |         | FINISH: -                              |         | WEIGHT: -                |         | SIZE: CAGE CODE DRAWING NO: A1 00779 C= 6339488             |  |
| CUSTOMER DRAWING |         |  |         | SCALE: 6:1               |         | SHEET 1 OF 1 REV 0  |  |