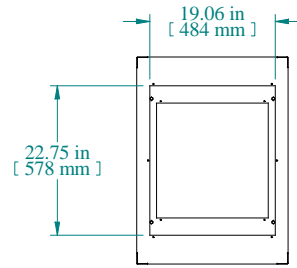
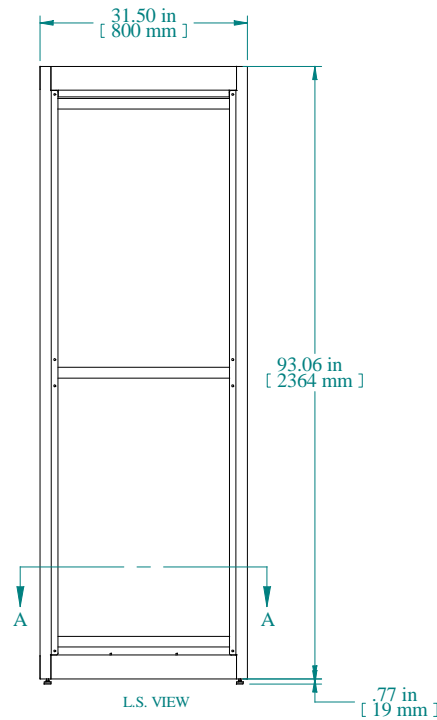


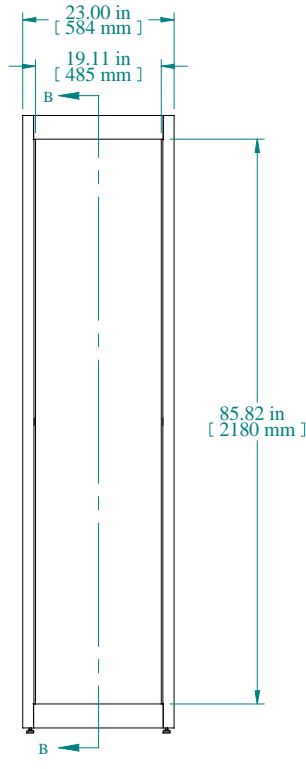
SECTION A-A



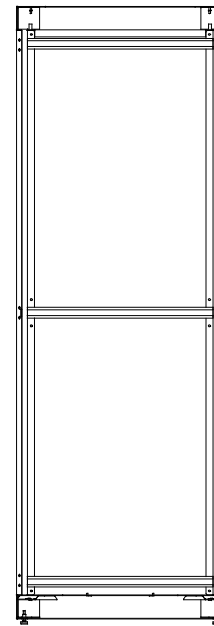
TOP VIEW



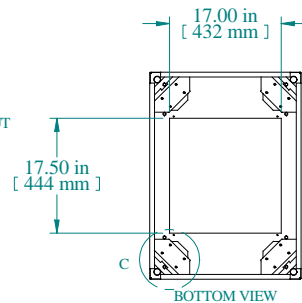
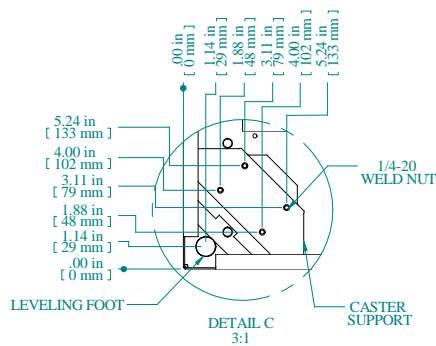
L.S. VIEW



FRONT VIEW



SECTION B-B



BOTTOM VIEW

| PART NUMBERS | |
|---|-----------------------------|
| C2F198531BK1 | PAINTED BLACK TEXTURED |
| C2F198531CG1 | PAINTED CONT. GRAY TEXTURED |
| C2F198531LG1 | PAINTED RAL7035 TEXTURED |
| NOTES | |
| Welded Assembly | |
| See Hammond Website for Frame Accessories | |

Data subject to change without notice. Isometric drawing not to scale.

**HAMMOND
MANUFACTURING™**

www.hammondmf.com

PART NO. C2F198531