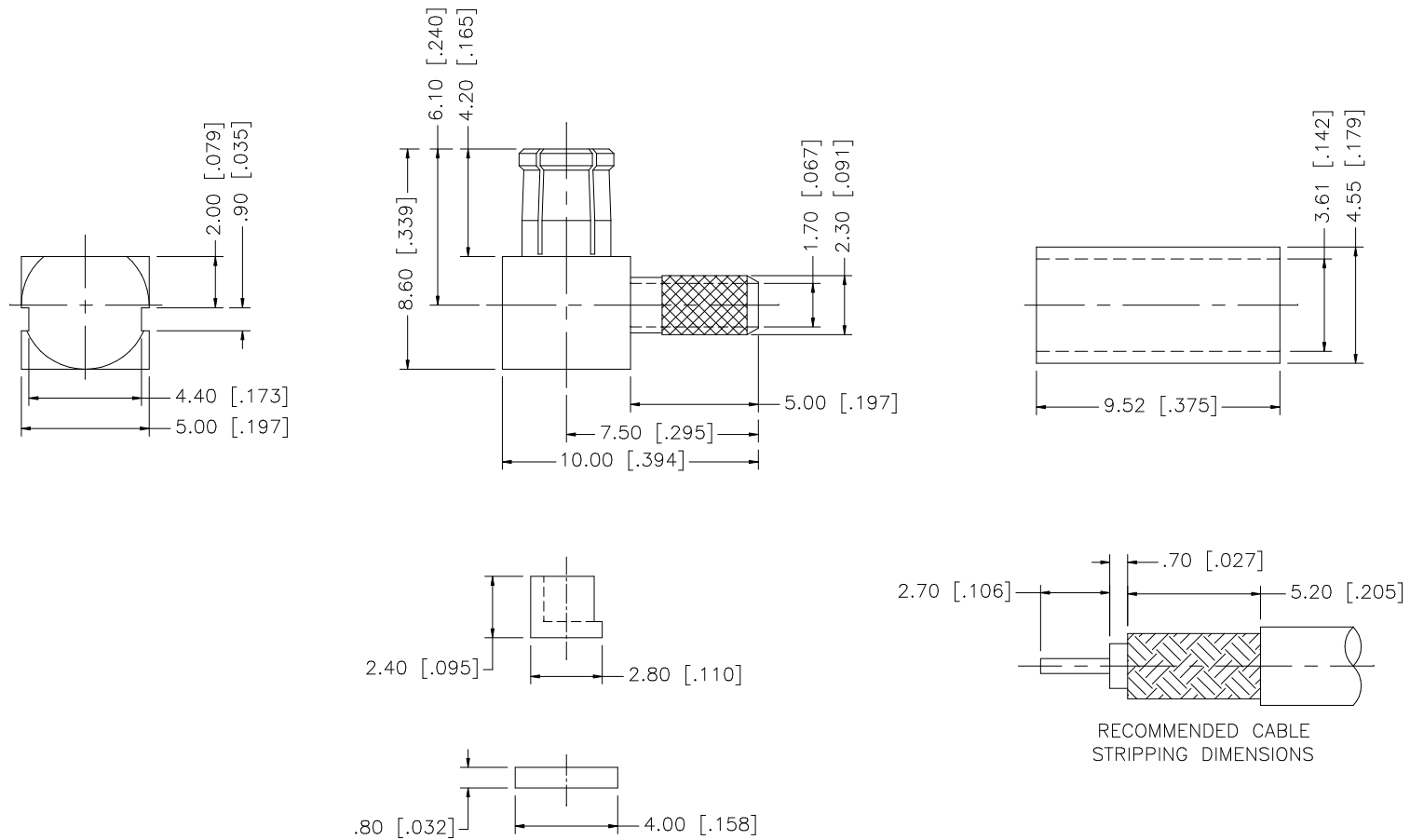


REV.	DATE	DESCRIPTION
A	01/13/99	ADD CRIMP NOTES / CHANGE FERRULE DIMS.
B	05/01/04	UPDATE DRAWING FORMAT



RECOMMENDED CABLE STRIPPING DIMENSIONS

NOTE:

1. CRIMPED FERRULE  
HEX CRIMP SIZE .151"
2. CONTACT PIN TO SOLDER

QTY	FINISH	MATERIAL	DESCRIPTION
1	GOLD	BER. COPPER	BODY
1	NATURAL	TEFLON	INSULATOR
1	GOLD	BRASS	CONTACT PIN
1	NATURAL	DELTRIN	INSULATOR
1	GOLD	BRASS	COVER
1	GOLD	COPPER	FERRULE
8			

UNLESS OTHERWISE SPECIFIED DIMENSIONS ARE IN MILLIMETERS. DIMENSIONS IN [ ] ARE IN INCHES AND FOR CUSTOMER REFERENCE ONLY.		APPROVALS	DATE	<h1 style="color: blue;">Amphenol Connex</h1>	
UNLESS OTHERWISE SPECIFIED TOLERANCES FOR MILLIMETERS ARE: 0.5 - 8mm ± 0.20mm 8 - 30mm ± 0.40mm 30 - 120mm ± 0.50mm		DRAWN	G.R.S.		05/01/04
UNLESS OTHERWISE SPECIFIED TOLERANCES FOR INCHES ARE: .020 - .315 = ± 0.007" .315 - 1.180 = ± 0.015" 1.180 - 4.724 = ± 0.020"		CHECKED			
DO NOT SCALE DRAWING		ISSUED			PART DESCRIPTION
		SHEET	1 OF 1		MCX R/A CRIMP PLUG (FOR RG-316U/D)
		CAD FILE	C:/252/252119.DWG	PART NO.	
		DWG. NO.	252119.DWG	252119	
		REV.	B	SIZE	
				A	
				SCALE	
				NA	