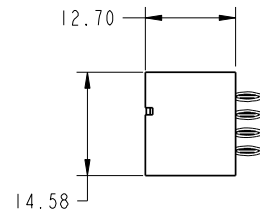
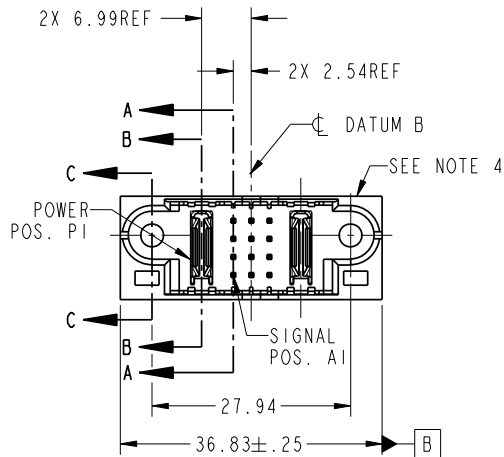


Tous droits strictement reserves. Reproduction ou communication a des tiers interdite sous quelque forme que ce soit sans autorisation écrite du propriétaire. Propriete de c FCI. Droits de reproduction FCI.



All rights strictly reserved. Reproduction or issue to third parties in any form whatever is not permitted without written authority from the proprietor. Property of FCI. Copyright FCI.

PRODUCT NO.	ROWS	1 2						
		PWR	SIGNAL	PWR				
51710-008-- NOTE:3	D C B A	E1	P1	1	2	3	P2	E2
				G	G	G		



CODE	DIM "M" MATING LENGTH	CONTACT TYPE
PC	[N/A]	POWER
G	[6.86]	SIGNAL
K	[5.59]	SIGNAL

mat'l code				SEE NOTES		tolerances unless otherwise specified		CUSTOMER		FCI	
lfr	ecn no.	dr	date	linear	0.X ± 0.3	COPY		www.fciconnect.com		title	
A	V04-0093	DA1	02/05/04		0.XX ± 0.13	projection		IP + 12S + IP		VERTICAL PRESS FIT HEADER	
B	DG06-0011	CS	01/09/06	angles	0.XXX ± 0.051	MM		product family		PwrBlade	code
C	DG07-0357	JUL1A	09/10/07	dr	D. INGRAM 01/03/04	scale		size		dwg no	213
				enrg	M. GRAY 01/03/04	1:1		A		51710-008	sheet
				chr	M. GRAY 01/03/04						1 of 4
				appd	M. GRAY 01/03/04						
sheet index	revision sheet	C	C	C	C						
		1	2	3	4						

cage code 22526

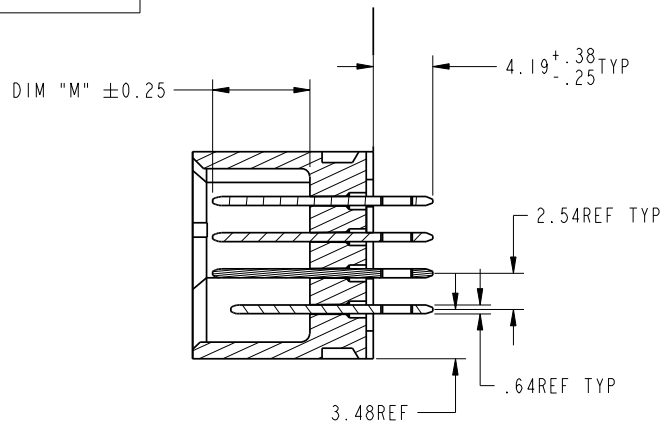
Pro/E

Tous droits strictement reserves. Reproduction ou communication a des tiers interdite sous quelque forme que ce soit sans autorisation ecrite du proprietaire. Propriete de c FCI. Droits de reproduction FCI.

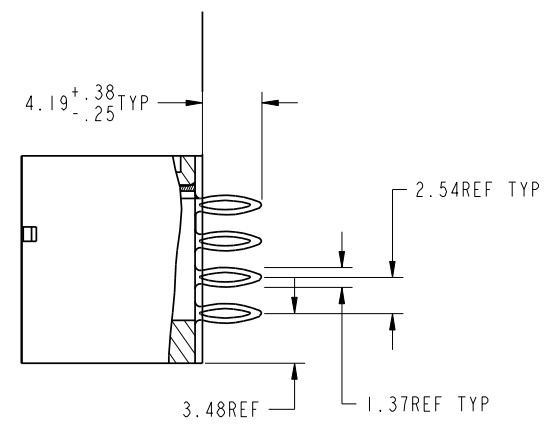


All rights strictly reserved. Reproduction or issue to third parties in any form whatever is not permitted without written authority from the proprietor. Property of FCI. Copyright FCI.

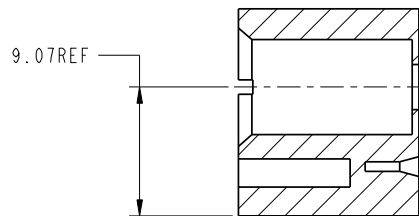
PRODUCT NUMBER
51710-008--
NOTE: 3



SECTION A-A
SCALE 2:1



SECTION B-B
SCALE 2:1



SECTION C-C
SCALE 2:1

mat'l code				tolerances unless otherwise specified		CUSTOMER		FCI	
lfr	ecn no.	dr	date	linear	0.X ±0.3	COPY		www.fciconnect.com	
c					0.XX ±0.13	projection		title	
				angles	0.XXX ±0.051			IP + 12S + 1P VERTICAL PRESS FIT HEADER	
				dr	D. INGRAM 01/03/04			product family	
				enr	M. GRAY 01/03/04	1:1		PwrBlade	
				chr	M. GRAY 01/03/04			code	
				appd	M. GRAY 01/03/04			213	
sheet index		revision sheet						size	
								dwg no	
								A 51710-008	
								sheet	
								2 of 4	

cage code 22526

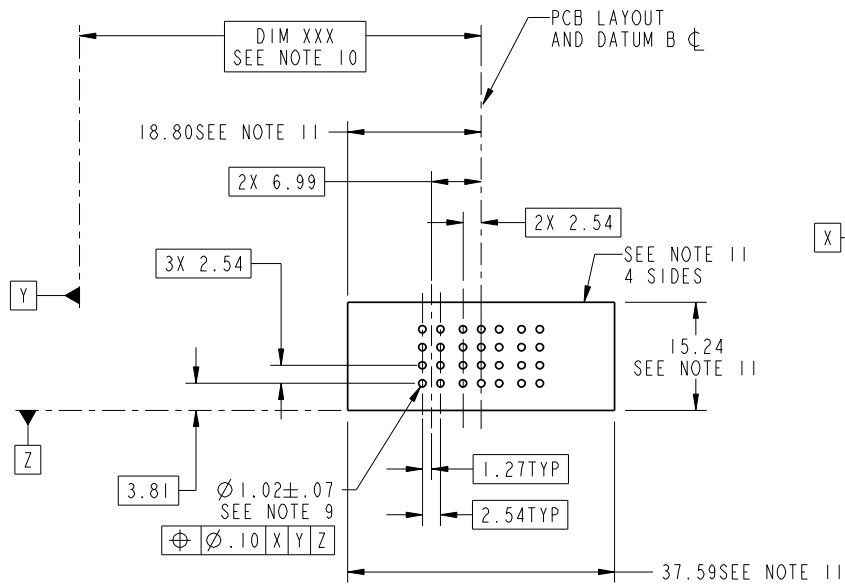
Pro/E

Tous droits strictement reserves. Reproduction ou communication a des tiers interdite sous quelque forme que ce soit sans autorisation ecrite du proprietaire. Propriete de c FCI. Droits de reproduction FCI.



All rights strictly reserved. Reproduction or issue to third parties in any form whatever is not permitted without written authority from the proprietor. Property of FCI. Copyright FCI.

PRODUCT NUMBER
51710-008--
NOTE: 3



mat'l code				SEE NOTES		tolerances unless otherwise specified		CUSTOMER		FCI www.fciconnect.com	
lfr	ecr no.	dr	date	linear	$0.X \pm 0.3$	COPY		projection		title	
c				angles	$0.XX \pm 0.13$	MM		IP + 12S + IP		VERTICAL PRESS FIT HEADER	
				dr	$0.XXX \pm 0.051$	1:1		product family		code	
				enrg	$0^\circ \pm 2^\circ$	D. INGRAM 01/03/04		PwrBlade		213	
				chr		M. GRAY 01/03/04		size		sheet	
				appd		M. GRAY 01/03/04		A		3	
sheet index		revision sheet									

cage code 22526

Pro/E

Tous droits strictement reserves. Reproduction ou communication a des tiers interdite sous quelque forme que ce soit sans autorisation écrite du propriétaire. Propriete de c FCI. Droits de reproduction FCI.



All rights strictly reserved. Reproduction or issue to third parties in any form whatever is not permitted without written authority from the proprietor. Property of FCI. Copyright FCI.

PRODUCT NUMBER
51710-008--
NOTE: 3

NOTES:

1. DIMENSIONS AND TOLERANCES ARE IN ACCORDANCE WITH ASME Y14.5M, 1994 UNLESS OTHERWISE SPECIFIED.

CONNECTOR NOTES:

- 2 HOUSING MATERIAL: UL 94 V-0 GLASS FILLED
HIGH-TEMP THERMOPLASTIC
POWER CONTACT MATERIAL: COPPER ALLOY
SIGNAL PIN MATERIAL: COPPER ALLOY
 - 3. PLATING:
51710-008 ,51710-008LF PLATING SPEC. WAS SHOWN IN THE PRINT OF 10064183.
 - 4 MANUFACTURER'S NAME, P/N, AND DATE CODE TO APPEAR ON THIS SURFACE.
 - 5. PRODUCT SPECIFICATION GS-12-149.
APPLICATION SPECIFICATION BUS-20-067.
 - 6. PACKAGED IN TRAYS.
- PCB NOTES:
- 7. ALL HOLE DIAMETERS ARE FINISHED HOLE SIZE.
 - 8. MOUNTING HOLES, WHERE APPLICABLE, ARE UNPLATED.
 - 9 $\varnothing 1.151 \pm 0.025$ DRILLED HOLES PLATED WITH
0.008 MIN SnPb OR Sn OVER 0.03
TO 0.08 Cu PLATING TO ACHIEVE
 $\varnothing 1.02 \pm .07$ HOLE.
 - 10 "DIM XXX" TO BE DETERMINED BY THE CUSTOMER.
 - 11 CONNECTOR KEEP-OUT ZONE.
 - 12. FOR PRESS FIT APPLICATION USE FCI CAM TOOL 430169-XXX.

mat'l code				SEE NOTES		tolerances unless otherwise specified		CUSTOMER		FCI www.fciconnect.com	
lfr	ecr no.	dr	date	linear	0.X ±0.3	COPY		projection		title	
C					0.XX ±0.13					IP + 12S + IP VERTICAL PRESS FIT HEADER	
				angles	0° ±2°					product family PwrBlade code	
				dr	D. INGRAM 01/03/04			scale		size	
				enrg	M. GRAY 01/03/04			1:1		dwg no	
				chr	M. GRAY 01/03/04					A 51710-008	
				appd	M. GRAY 01/03/04					sheet	
sheet index		revision sheet								4	

cage code 22526

Pro/E