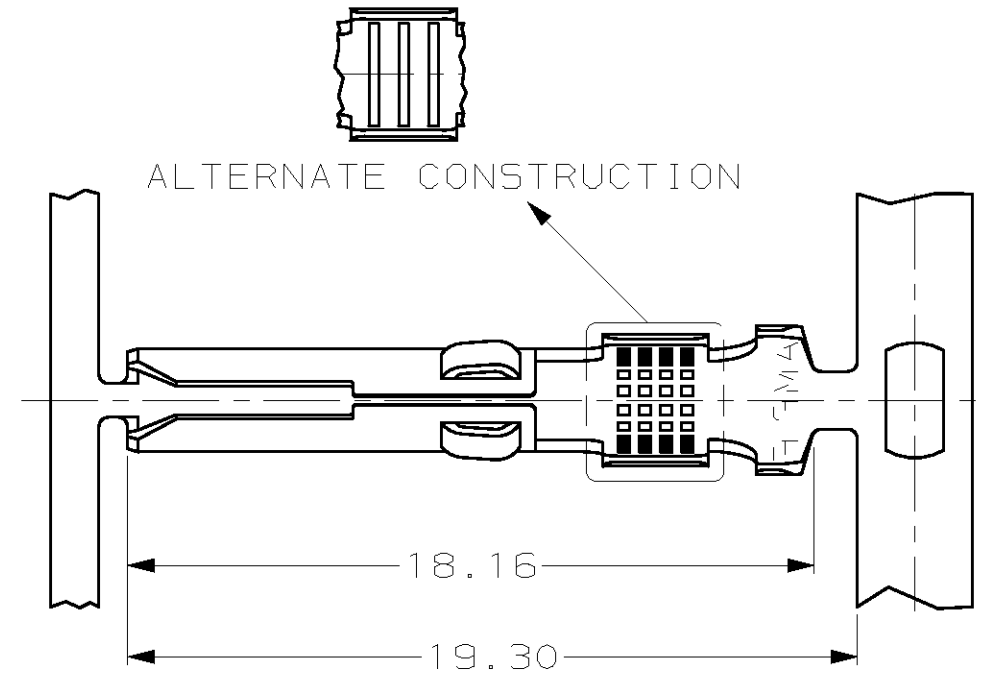
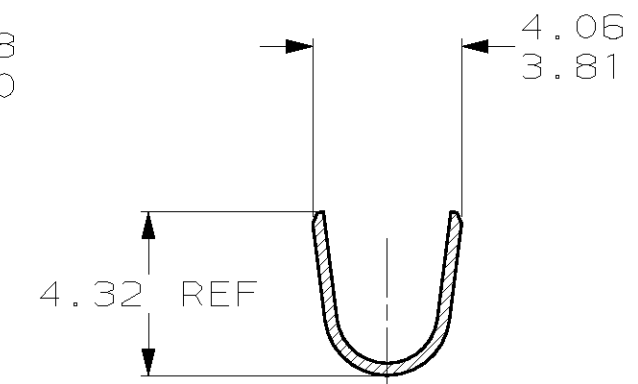
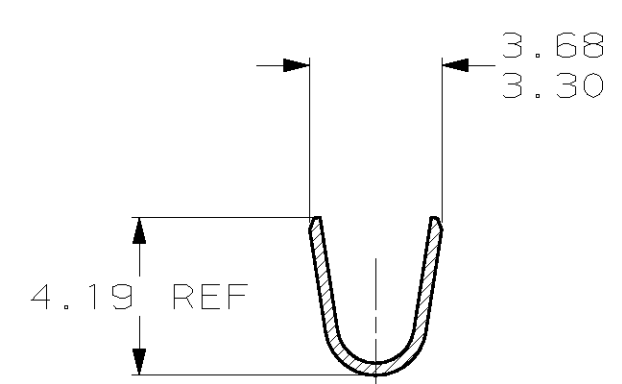
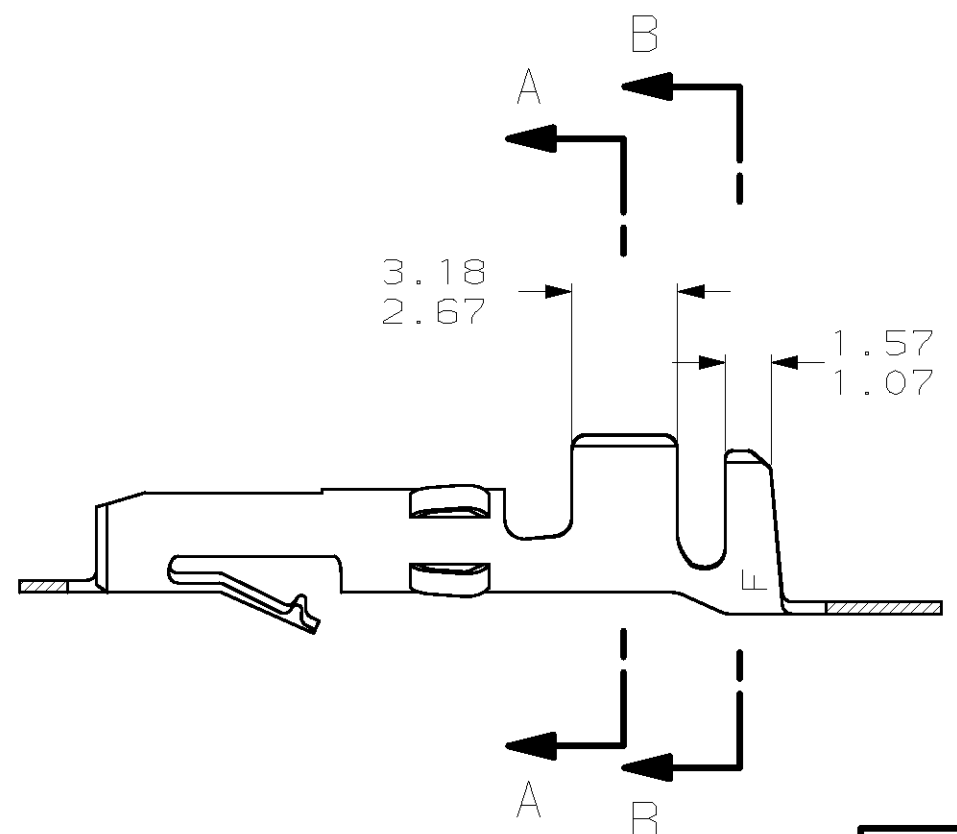


THIS DRAWING IS UNPUBLISHED. RELEASED FOR PUBLICATION BY AMP INCORPORATED. ALL RIGHTS RESERVED.

LOC	DIST	REVISIONS			
P	LTR	DESCRIPTION	DATE	DWN	APVD
CM	53	J	REV & REDWN PER EC 0G1B--98	20-OCT-98	TB RS



1. WIRE RANGE: 1.25 - 2 mm² (16 - 14 AWG)
2. INSULATION RANGE: 2.67 - 3.18



19.30	.760
18.16	.715
4.32	.170
4.19	.165
4.06	.160
3.81	.150
3.68	.145
3.30	.130
3.18	.125
2.67	.105
1.57	.062
1.07	.042
0.32	.013
0.13	.005
MM	IN

CONVERSION TABLE

60949-1
PART NUMBER

METRIC

THIS DRAWING IS A CONTROLLED DOCUMENT.		DWN T. BECK 20-OCT-98	AMP AMP Incorporated Harrisburg, PA 17105-3608
DIMENSIONS: mm		CHK R. SWING 20-OCT-98	
TOLERANCES UNLESS OTHERWISE SPECIFIED:		APVD C. MARTIN 20-OCT-98	NAME SOCKET, AUTOMOTIVE MATE-N-LOK™
0 PLC ±-		PRODUCT SPEC	SIZE A3
1 PLC ±-		APPLICATION SPEC	CAGE CODE 00779
2 PLC ±0.13		WEIGHT	DRAWING NO 60949
3 PLC ±-		CUSTOMER DRAWING	RESTRICTED TO
4 PLC ±-		SCALE 5:1	SHEET 1 OF 1
ANGLES ±-		FINISH PRE-TIN	REV J
MATERIAL 0.32 BRASS			