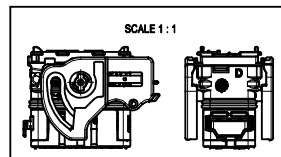
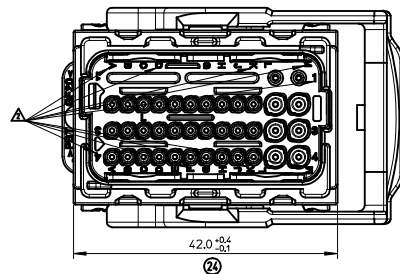
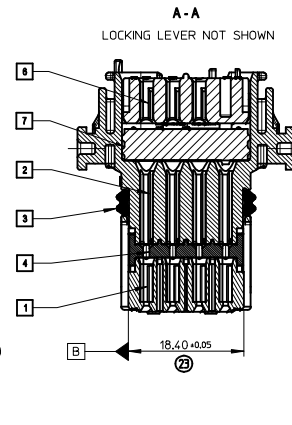
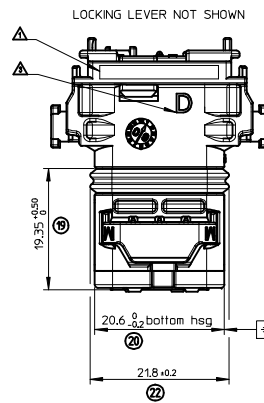
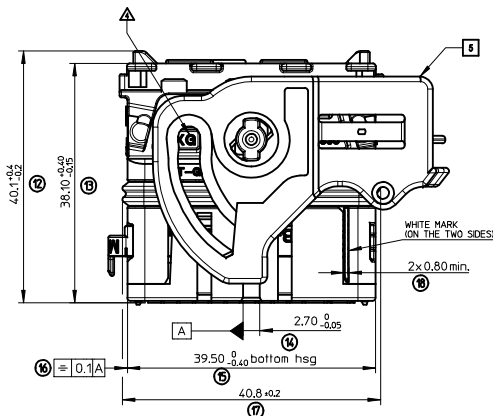
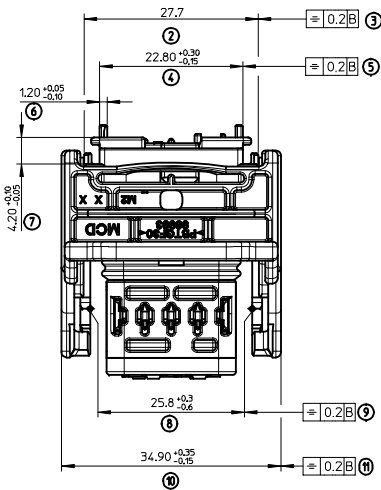


**LINE N°1 CLOSED
YELLOW BACK GRID VERSION**

LEFT WIRE OUTPUT		RIGHT WIRE OUTPUT	
MATERIAL NUMBER	COLOR	MATERIAL NUMBER	COLOR
0643202311	BLACK	0643204311	BLACK
0643202319	BROWN	0643204319	BROWN



NOTES:

- FOR ILLUSTRATION PURPOSE THE FEMALE HOUSING SHOWN IS: THE RIGHT WIRE OUTPUT VERSION CODING 1
- APPLICATION SPECIFICATION: AS-64319-002
- WIRES EXTERNAL DIAMETER USED: FOR CP0.6 TERMINAL: USED WIRES WITH AN EXTERNAL DIAMETER BETWEEN Ø1.25MM MIN AND Ø1.90MM MAX FOR CP15 TERMINAL: USED WIRES WITH AN EXTERNAL DIAMETER BETWEEN Ø1.0MM MIN AND Ø2.80MM MAX
- THE CONNECTOR FITS WITH WIRE CAP (48 WAY) MOLEX P/N 0643201901
- BLIND PLUG FOR 0.6 AND 15 CAVITIES (MOLEX P/N 0643251010 AND 0643251023) MUST BE USED ON THIS PART.
- DELIVERED PRODUCT WEIGHT: 33.8 g

POS.	DESIGNATION	MATERIAL	COLOR
7	MAT SEAL	SILICON	RED
8	BACK GRID 36W	>PBT-GF20<	YELLOW
8	LOCKING LEVER 48W	>PBT-GF30<	BLACK
4	SECONDARY LOCK	>PBT-GF20<	GREY
3	PERIPHERAL SEAL 48W	SILICON	RED
2	BACK PART	>PBT-GF20<	BLACK
1	FRONT PART	>PBT-GF20<	COLOR LINKED TO KEYS

MARKINGS :

- Assembled part tracability: Day + Year
- Terminal cavities identification
- Lever position indicator: "D" LETTER VISIBLE = Part with "LEVER ON THE RIGHT" "G" LETTER VISIBLE = Part with "LEVER ON THE LEFT"
- Supplier identification
- Material identification

APPL. SPEC. CHANGED EC NO: G2016-0064 DRYNAPLESSIS 2015/11/30 CHYKOPPOURIN 2015/12/01 APPR: BOUCHAN 2015/12/02	QUALITY SYMBOLS (Symbol 1) (Symbol 2) (Symbol 3)	GENERAL TOLERANCES (UNLESS SPECIFIED)	DIMENSION STYLE MM ONLY	SCALE 2.5:1	DESIGN UNITS METRIC	FIRST ANGLE PROJECTION
		4 PLACES ± --- ± --- 3 PLACES ± --- ± --- 2 PLACES ± 0.1 ± --- 1 PLACE ± 0.1 ± --- 0 PLACE ± 0.1 ± ---	DRAWN BY: T. BADAROUX CHECKED BY: P. GRANDCLAUD APPROVED BY: C. BOUCHAN DATE: 2008/05/23	TITLE CMC CONNECTOR 36 WAY MAT SEAL VERSION	DOCUMENT NO. SD-64320-003	SHEET NO. 1 OF 2

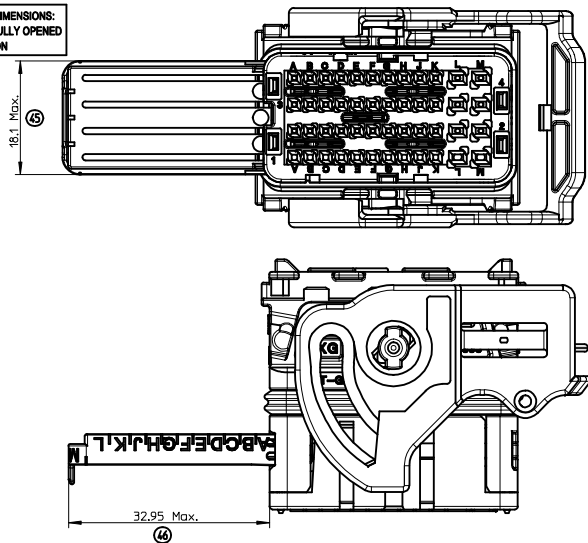
ANGULAR ± 2 °
DRAFT WHERE APPLICABLE MUST REMAIN WITHIN DIMENSIONS

SEE CHART

THIS DRAWING CONTAINS INFORMATION THAT IS PROPRIETARY TO MOLEX INCORPORATED AND SHOULD NOT BE USED WITHOUT WRITTEN PERMISSION

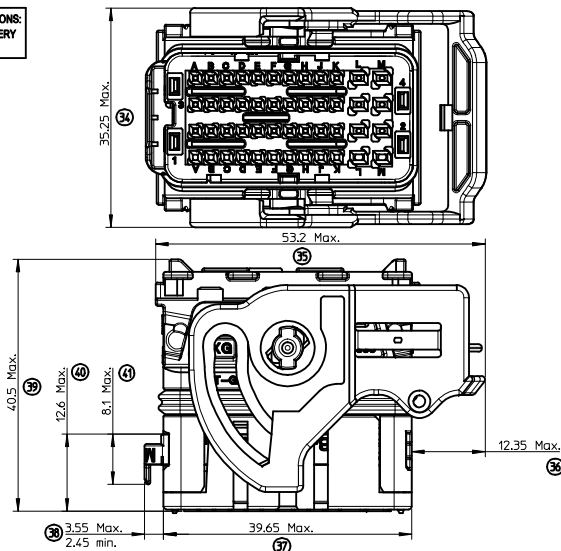
CONNECTOR OVERALL DIMENSIONS:
SECONDARY LOCKING FULLY OPENED
FOR TERMINAL INSERTION

RIGHT WIRE OUTPUT

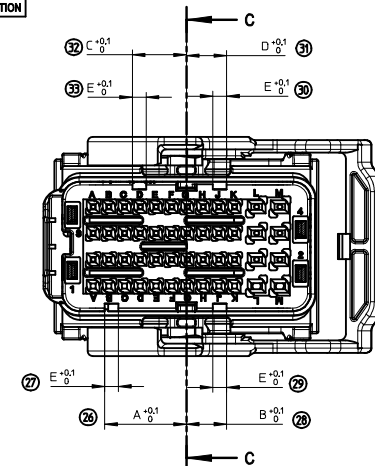


CONNECTOR OVERALL DIMENSIONS:
SECONDARY LOCKING IN DELIVERY
POSITION

RIGHT WIRE OUTPUT

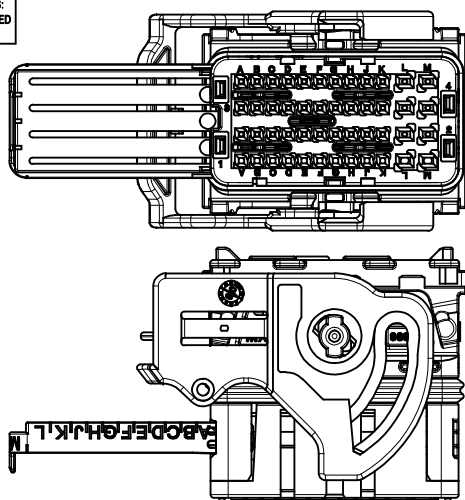


CODING POSITION



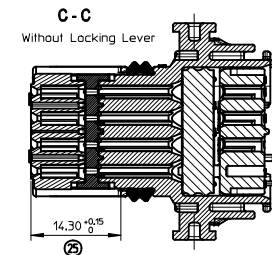
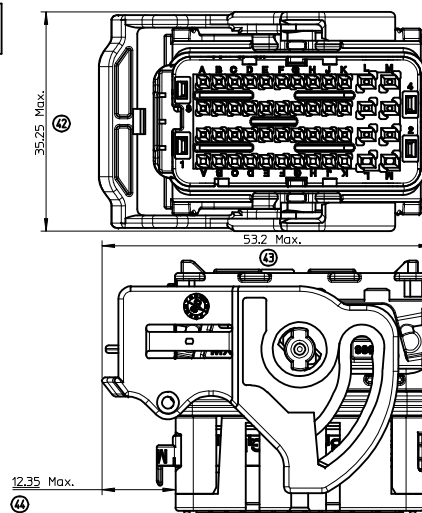
CONNECTOR OVERALL DIMENSIONS:
SECONDARY LOCKING FULLY OPENED
FOR TERMINAL INSERTION

LEFT WIRE OUTPUT



CONNECTOR OVERALL DIMENSIONS:
SECONDARY LOCKING IN DELIVERY
POSITION

LEFT WIRE OUTPUT



COLOR	KEYING	A	B	C	D	E
BLACK	1	13	6.4	8.6	6.4	2.2
GREY	2	10.8	8.6	13	8.6	2.2
BROWN	3	8.6	10.8	13	13	2.2
GREEN	4	10.8	13	6.4	6.4	2.2

TERMINALS USED

CAVITY #	FEMALE TERMINALS (Section mm2)	PLATING	MOLEX P/N	min / MAX WIRE INSULATION DIAMETER (mm)
A1 to K1 A2 to K2 A3 to K3 A4 to K4	CP 0.6 0.35mm2	Tin plated	0643221019	Ø1.25 min / Ø1.40 Max
		Gold plated	0643221229	
	CP 0.6 0.5mm2	Tin plated	0643221039	Ø1.40 min / Ø1.70 Max
		Gold plated	0643221239	
L1 to L4 M1 to M4	CP 0.6 0.75mm2	Tin plated	0643221029	Ø1.60 min / Ø1.90 Max
		Gold plated	0643221219	
	CP 1.5 0.5mm2 to 1mm2	Tin plated	0643231029	Ø1.40 min / Ø2.15 Max
		Gold plated	0643231319	
	CP 1.5 >1mm2 to 2mm2	Tin plated	0643231039	Ø2.10 min / Ø2.80 Max
		Gold plated	0643231219	

APPL. SPEC. CHANGED
EC NO: G2016-0064
2015/11/30
DRAWN BY: DRWINPLESSIS
2015/12/01
CHKD BY: PGOUBIN
2015/12/01
APPR: CBOUCHAN
2015/12/02

QUALITY SYMBOLS
▽+0
▽-0
▽+0

GENERAL TOLERANCES (UNLESS SPECIFIED)
mm INCH
4 PLACES ± --- ± ---
3 PLACES ± --- ± ---
2 PLACES ± 0.1 ± ---
1 PLACE ± 0.1 ± ---
0 PLACE ± 0.1 ± ---
ANGULAR ± 2°
DRAFT WHERE APPLICABLE
MUST REMAIN WITHIN DIMENSIONS

DIMENSION STYLE
MM ONLY
DRAWN BY: T. BADAROUX
DATE: 2008/05/23
CHECKED BY: P. GRANDCLAUD
DATE: 2008/05/23
APPROVED BY: C. BOUCHAN
DATE: 2008/05/23
MATERIAL NO.
SEE SHEET 1

SCALE: 2.5:1
DESIGN UNITS: METRIC
FIRST ANGLE PROJECTION
TITLE: CMC CONNECTOR 36 WAY MAT SEAL VERSION
DOCUMENT NO.: SD-64320-003
SHEET NO.: 2 OF 2

molex