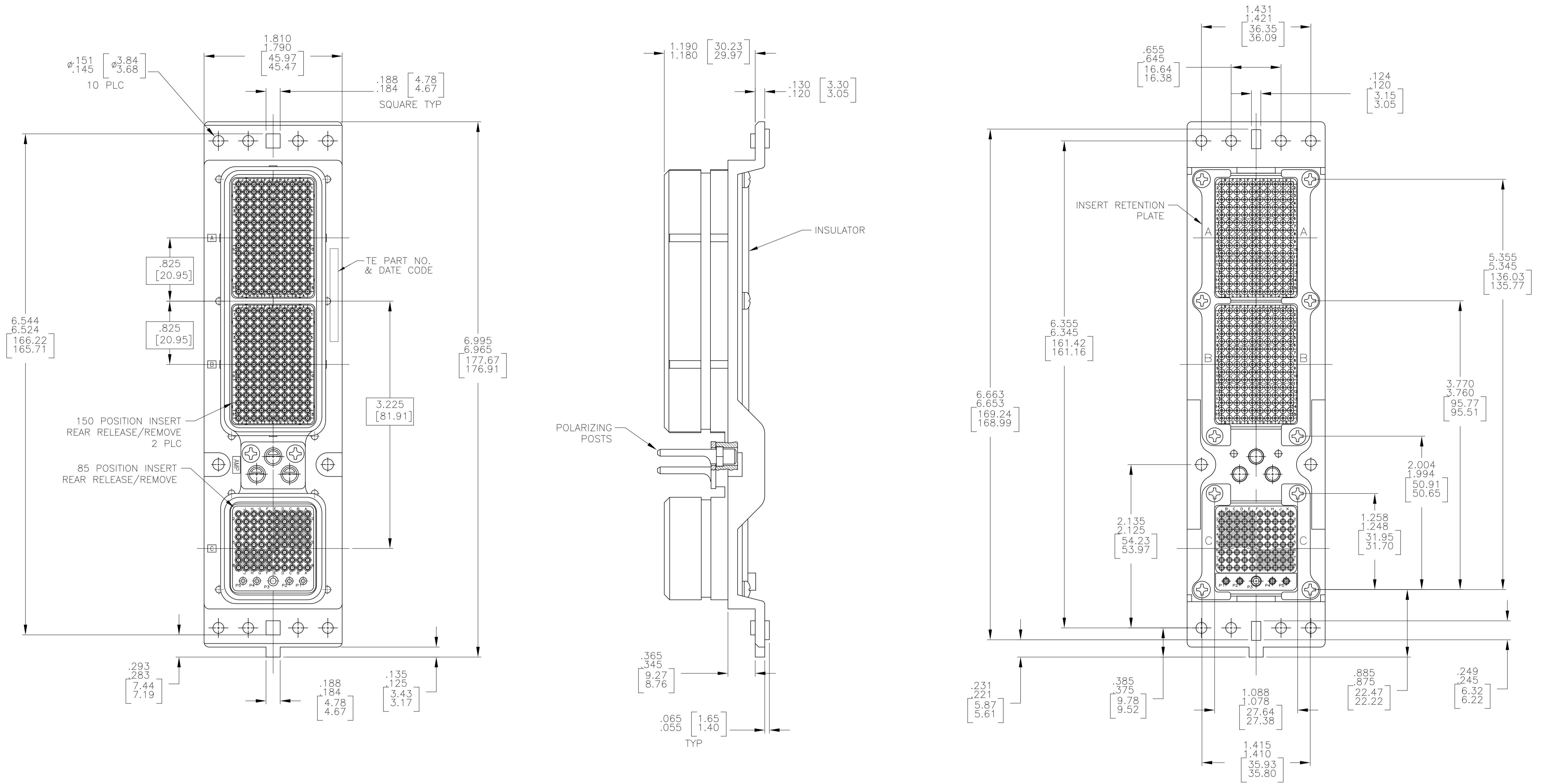


REV ISIONS		DATE	DN	APVD
LOC	DIST			
C	REV PER ECO	13-005670	4-4-13	CT WB



- CONNECTOR DIMENSIONS ARE PER ARINC 600 SPECIFICATION.
- CONNECTOR IS SUPPLIED WITH CONTACTS AS LISTED IN TABLE.
- KEYING SHOWN IN POSITION "01" FOR ILLUSTRATION ONLY. CONNECTORS SHIPPED WITH KEYING INSTALLED IN POSITION PER TABLE. FOR POSITION "00" KEYING HARDWARE SHIPPED UNASSEMBLED.

COMPONENT	MATERIAL	FINISH
SHELL	DIE CAST ALUMINUM PER ASTM-B-85	ELECTROLESS NICKEL PER MIL-C-26074
INSERT RETENTION PLATES	ALUMINUM ALLOY PER ASTM-B-209	ELECTROLESS NICKEL PER MIL-C-26074
SCREWS AND LOCKWASHERS	STAINLESS STEEL	PASSIVATED
POLARIZING KEYS	ZINC ALLOY PER ASTM-B-86	-
INSERTS	THERMOSET OR THERMOPLASTIC PPS PER MIL-M-24519	-
POLARIZING KEY RETAINING PLATE	ALUMINUM ALLOY PER ASTM-B-209	BLUE ANODIZED PER MIL-A-8625

47	MODULE A: SIZE 22: 208262-3 (QTY=150) MODULE B: SIZE 22: 208262-3 (QTY=150) MODULE C: SIZE 22: 208262-3 (QTY=80) SIZE 20: 208267-2 (QTY=4) SIZE 16: 208270-2 (QTY=1)	1883330-3
02	MODULE A: SIZE 22: 208262-3 (QTY=150) MODULE B: SIZE 22: 208262-3 (QTY=150) MODULE C: SIZE 22: 208262-3 (QTY=80) SIZE 20: 208267-2 (QTY=4) SIZE 16: 208270-2 (QTY=1)	1883330-2
01	MODULE A: SIZE 22: 208262-3 (QTY=150) MODULE B: SIZE 22: 208262-3 (QTY=150) MODULE C: SIZE 22: 208262-3 (QTY=80) SIZE 20: 208267-2 (QTY=4) SIZE 16: 208270-2 (QTY=1)	1883330-1
KEYING POSITION	CONTACTS INCLUDED AND NOT INSTALLED	PART NUMBER

THIS DRAWING IS A CONTROLLED DOCUMENT.

DIMENSIONS: INCHES	TOLERANCES UNLESS OTHERWISE SPECIFIED:	DIN C.C.THOMAS 4-25-06	APVD K.HOGAN 4-25-06	NAME	TE Connectivity
0 PLC ± .005	1 PLC ± .005	2 PLC ± .005	3 PLC ± .005	4 PLC ± .005	ANGLES ± .005
MATERIAL SEE TABLE	FINISH SEE TABLE	WEIGHT	SIZE	CAGE CODE	DRAWING NO
			A1	00779	1883330
CUSTOMER DRAWING			SCALE	SHEET	REV
			1:1	1 OF 1	C